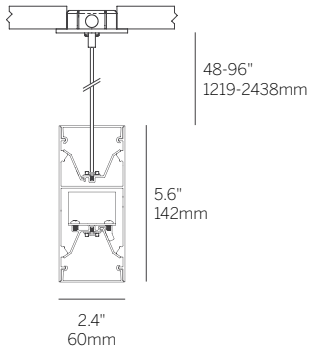
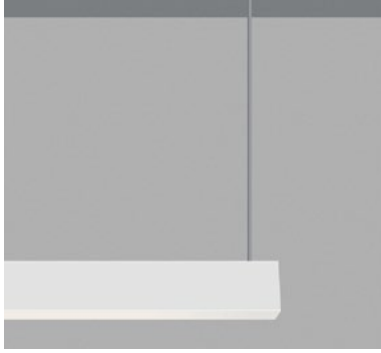
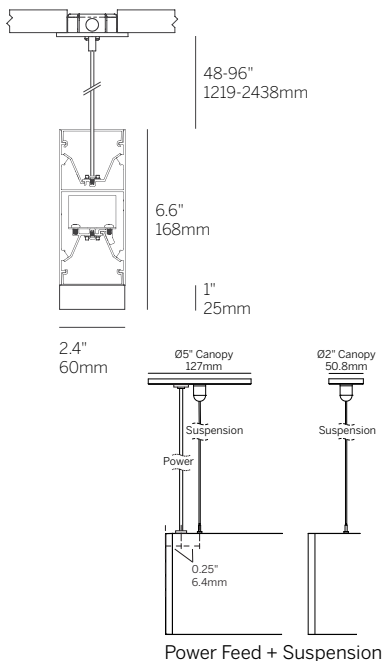


60 Linear Suspended Direct / Indirect Flush Lens

Suspended (60LDI)



Suspended / Drop Diffuser (60LDI...DD)



Ordering Information				Direct				Indirect					
Model ¹	Fixation	Pattern	Length	Power ³	CRI ⁴	Driver ⁵	Lens	Power ³	CRI ⁴	Driver ⁵	Lens	Finish ⁸	Options
WG-60LDI	S48	S	A	P1	927	E1	OD	P1	927	E1	SD	W (std)	DC
	S96	P ²	A x B	P2	930	L1	(std)	P2	930	L1	(std)	B	EM
	SXX	PZ ²	A x B x C	P3	935	POE	DD ⁷	P3	935	POE	OD	S	
			A x B x A x B	P4	940	BT		P4	940	BT		F	
				M	TW ⁵	DALI		M	TW ⁵	DALI			
					RGBW	TQ			RGBW	TQ			
						DMX				DMX			

Luminaire¹

- Continuous, evenly illuminated snap-in opal diffuser for even illumination standard.
- Easily installed internal LED tray assembly with integral driver. Field replaceable LED boards.
- 90+ CRI, 3 steps MacAdam.
- L70 (TM21 Projected 85C) 72,000 hours. RGBW 50,000 hours.
- ETL and ETL-C for dry and damp location.
- Lengths and angles factory cut to exact field dimensions. Standard and custom corners.
- Powdercoat painted.

Fixation

- 48 = 48" suspension cable, field-cuttable (standard)
- 96 = 96" suspension cable, field-cuttable
- XX = Specify suspension cable length

Pattern

- S = Straight run
- P = Standard patterns 2, 3 or 4 sided with 90° corners on the same plane²
- PZ = Non-standard patterns and/or corners other than 90° on multiple planes, consult factory²

Length

- A, B, C = specify inches to the nearest 0.25" (i.e. 72.25"). For patterns specify each length (i.e. 2 sided: A x B = 72.25" x 48"; 3 sided: A x B x C; 4 sided: A x B x A x B).

Power³

- P1 = 3W/ft
- P2 = 6W/ft
- P3 = 10W/ft
- P4 = 15W/ft
- M = 7.6W/ft (RGBW Only)

CRI/CCT (90+ CRI)⁴

- 927 = 2700K
- 930 = 3000K
- 935 = 3500K
- 940 = 4000K
- TW = Tuneable white 2200-4000K⁵
- RGBW = 3000K White

Driver (Integral)⁶

- E1 = EidoLED 0.1% dimming, 0-10V (120-277V)
- L1 = Lutron 1% dimming, Ecosystem (120-277V)
- PoE = Power over Ethernet
- BT = Wireless CAS – Casambi (Must specify BT with E1 or DALI)
- DALI = EidoLED Dali DT8 0.1% (120-277V)
- TQ = T-Series for Lutron Quantum 0.1% (120-277V) (Tunable white ONLY)
- DMX = Osram+EidoLED, 24V, DMX Dimming (RGBW ONLY)

Lens

- OD = Satin opal diffuser (standard diffuse)
- SD = Satin clear diffuser (high efficiency diffuse) (recommended for uplight)
- DD = Drop diffuser⁷

Finish⁸

- W = White, 15% gloss, RAL 9010 / Tiger Drylac 009/10120 (standard)
- B = Black, 15% gloss, RAL 9005 / Tiger Drylac 044/90053
- S = Silver, 15% gloss, RAL 9006 / Tiger Drylac 049/90500
- F = Custom finished trim, specify RAL

Options

- DC = Dual circuit
- EM = Emergency LED driver (remote only)

- To specify Direct or Indirect only, leave Power, CRI, Driver and Lens blank for direction without light.
- See pattern spec sheet.
- Wattage shown does not include power supplies/drivers. Maximum combined wattage if specifying Direct Power + Indirect Power is 21 W/ft (i.e. P4 Direct [15 W/ft] + P2 Indirect [6 W/ft]).
- See photometric data sheet for delivered lumens.
- TW only available with P2 and P3.
- See power supply page for details.
- Butt seam (lens) when in continuous run, straight runs only.
- See Tiger Drylac color chart: inter-lux.com/tiger

Lenses/Accessories



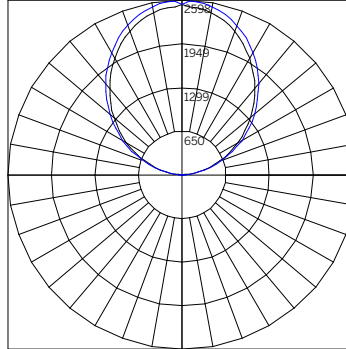
60 Linear Suspended Direct / Indirect Flush Lens

INDIRECT ONLY

WG-60LDI-...-XX-XX-...-OD-...-W

Delivered Lumens Per Foot

		Power				
		P1 [3 W/ft]	P2 [6 W/ft]	P3 [10 W/ft]	P4 [15 W/ft]	RGBW [7.6 W/ft] ¹
CCT	927	361	678	1042	1534	-
	930	376	705	1085	1598	-
	935	389	731	1124	1673	-
	940	399	750	1154	1718	-
	TW ¹	-	337	518	-	-
	RGBW ¹	-	-	-	-	284



BEAM ANGLE (0-180) = 104.4
BEAM ANGLE (90-270) = 103.2

ILLUMINANCE - 48" OD P4 3500K

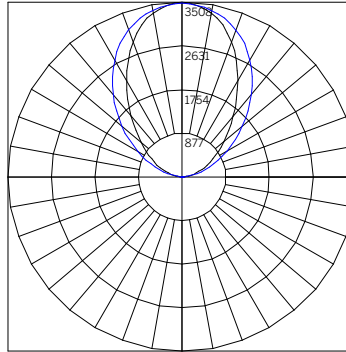
WG-60LDI-...-S-48-XX-XXX-XX-P4-935-...-OD-W²

Mounting Height [ft]	Illuminance [fc at max cd]	Beam Width [ft]
20	7	51.6
18	8	46.4
16	10	41.2
14	13	36.1
12	18	30.9
10	26	25.8
8	41	20.6
6	72	15.5
4	163	10.3
2	651	5.2

WG-60LDI-...-XX-XX-...-SD-...-W

Delivered Lumens Per Foot

		Power				
		P1 [3 W/ft]	P2 [6 W/ft]	P3 [10 W/ft]	P4 [15 W/ft]	RGBW [7.6 W/ft] ¹
CCT	927	387	728	1119	1648	-
	930	403	757	1165	1716	-
	935	418	785	1207	1797	-
	940	429	806	1239	1845	-
	TW ¹	-	362	556	-	-
	RGBW ¹	-	-	-	-	305



BEAM ANGLE (0-180) = 94.4
BEAM ANGLE (90-270) = 115.0

ILLUMINANCE - 48" SD P4 3500K

WG-60LDI-...-S-48-XX-XXX-XX-P4-935-...-SD-W²

Mounting Height [ft]	Illuminance [fc at max cd]	Beam Width [ft]
20	9	43.2
18	11	38.9
16	14	34.5
14	18	30.2
12	24	25.9
10	35	21.6
8	55	17.3
6	97	13.0
4	219	8.6
2	877	4.3

Power Multiplier					
	P1 [3 W/ft]	P2 [6 W/ft]	P3 [10 W/ft]	P4 [15 W/ft]	RGBW [7.6 W/ft] ¹
	0.23	0.44	0.67	1.00	0.17

CCT Multiplier					
	927	930	935	940	TW ¹
	0.96	1.00	1.05	1.08	0.46

1 TW Tuneable White lumen data at maximum output / 4000K CCT. RGBW lumen data at maximum output for all colors + white.

2 Polar Plot and Cone of Light are applicable to part number noted; use Multiplication Factor table to approximate other models or refer to online photometry.