

20 Linear Wand



Ordering Information

Model	Fixation	Type	Length	Power ¹	CRI/CCT ²	Driver ³	Lens	Finish ⁴
WG-WAND	MM	S	28.5	M		S		W
WG-WAND	MM	S	28.5	M	927 930 935 940	S	OD (std) SD MPL NL16 LL45B LL45W LL45S BDO BDC ROD	W (std)

Luminaire

- Multiple lens options for diffuse, high efficiency and luminous effect.
- Field replaceable LED boards.
- White finish standard.
- On / Off switch with 118" cable and plug, standard.
- 90+ CRI, 3 steps MacAdam.
- L70 (TM21 Projected 85C) Static White 60,000 hours.
- ETL and ETL-C for dry and damp location.

Fixation

- MM = Magnetic mounting

Type

- S = Straight run

Length

Total length includes 1" for switch, requires 1" clearance for cable

- 28.5 = 28.5"

Power¹

- M = 6W/ft mid power (24V)

CRI/CCT (90+ CRI)²

- 927 = 2700K
- 930 = 3000K
- 935 = 3500K
- 940 = 4000K

Driver (plug-in)³

- S = Standard driver 120 - 240V, 50 - 60 Hz

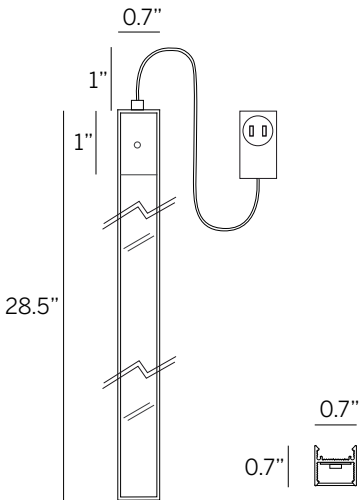
Lens

- OD = Satin opal diffuser (standard)
- SD = Satin clear diffuser
- MPL = Micro-prismatic lens
- NL16 = Linear narrow lens, 16°
- LL45B = Linear louver black
- LL45W = Linear louver white
- LL45S = Linear louver satin
- BDO = Block Diffuser Opal
- BDC = Block Diffuser Clear
- ROD = Round opal diffuser

Finish⁴

- W = White, 15% gloss, RAL 9010 / Tiger Drylac 009/10120 (standard)

- Wattage shown is for LED boards only, system wattage varies depending on driver selected.
- See photometric data sheet for delivered lumens.
- 24V fixture supplied complete with individual socket mount power supply 120-240V, 50-60 Hz and feed cable.
- See Tiger Drylac color chart: inter-lux.com/tiger



Lenses/Accessories

