

20 Linear Wand

- Standard Opal Diffuser for even illumination and no LED appearance.
- On / Off switch with 118" cable and plug, standard.
- 90+ CRI, 3 Steps MacAdam delivering excellent color rendering.
- Identical LED technology used throughout all Whitegoods Linears, Coves and Perimeter products deliver consistent quality and performance throughout a project.
- Made in USA.
- 5-year warranty.



Housing Precision extruded aluminum for true dimensions and tolerances
Built to cabinet length specifications
Finishes: white

Integration Magnet mount

Distribution Wide angle illumination

LED Constant Voltage, 90+ CRI, 3 Steps MacAdam
120 nominal lumens/watt average (see spec sheet for delivered lumens)
L70 (TM21 Projected 85C) Static White = 60,000 hours

Lens OD - Opal Diffuser provides even, continuous line of light and general illumination
SD - Satin Clear Diffuser provides high efficiency soft edge beam, general illumination
MPL - Micro-prismatic lens provides lower brightness, general illumination
NL16 - Narrow Lens optic provides narrow beam for wall grazing applications
LL45 - 45 Degree Louver in white, black or satin provides extreme low brightness
BD - Block Diffuser of satin acrylic provides general illumination and decorative effect
ROD - Round Opal Diffuser 0.8" diameter provides general illumination

Driver 120VAC plug-in

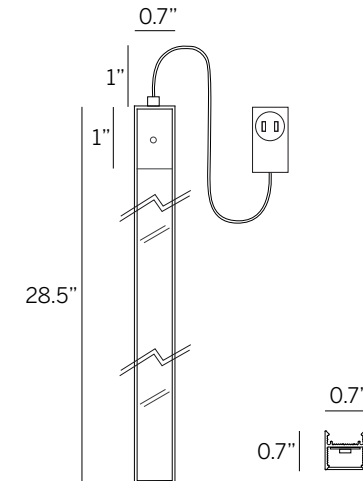
Weight 0.5lbs per foot

Operating Temp Suitable for operation in maximum ambient temperature of 35C (95F)

Warranty 5-year Limited (see complete company warranty information)

Certifications ETL and ETL-C for dry and damp location, CE

Voltages 120VAC



Total Length includes 1" for switch.
1" clearance required for cable.

20 Linear Wand

Model	Fixation	Pattern	Length	Power ¹	CRI/CCT ²	Driver ³	Lens	Finish ⁴
WG-WAND	MM	S	28.5	M	927 930 935 940	S	OD (std) SD MPL NL16 LL45B LL45W LL45S BDO BDC ROD	W (std)

Model

- WG-WAND = 20 Linear Wand

Fixation

- MM = Magnetic mounting

Pattern

- S = Straight run

Length

Total length includes 1" for switch, requires 1" clearance for cable

- 28.5 = 28.5"

Power¹

- M = 6W/ft mid power (24V)

CRI/CCT (90+ CRI)²

- 927 = 2700K
- 930 = 3000K
- 935 = 3500K
- 940 = 4000K

Driver (plug-in)³

- S = Standard driver 120 - 240V, 50 - 60 Hz

Lens

- OD = Satin opal diffuser (standard)
- SD = Satin clear diffuser
- MPL = Micro-prismatic lens
- NL16 = Linear narrow lens, 16°
- LL45B = Linear louver black
- LL45W = Linear louver white
- LL45S = Linear louver satin
- BDO = Block Diffuser Opal
- BDC = Block Diffuser Clear
- ROD = Round opal diffuser

Finish⁴

- W = White, 15% gloss, RAL 9010 / Tiger Drylac 009/10120 (standard)

Lenses/Accessories

Opal Diffuser (OD)
Satin Diffuser (SD)
Micro-prismatic Lens (MPL)

Narrow Lens (NL16)

Louver (LL45)

Block Diffuser (BD)

Round Opal Diffuser (ROD)

technical
information

Whitegoods reserves the right to change any information without prior notice.

Notes

- Wattage shown is for LED boards only, system wattage varies depending on driver selected.
- Refer to specsheet for delivered lumen data for all product configurations.
- 24V fixture supplied complete with individual socket mount power supply 120-240V, 50-60 Hz and feed cable.
- See Tiger Drylac color chart: inter-lux.com/tiger