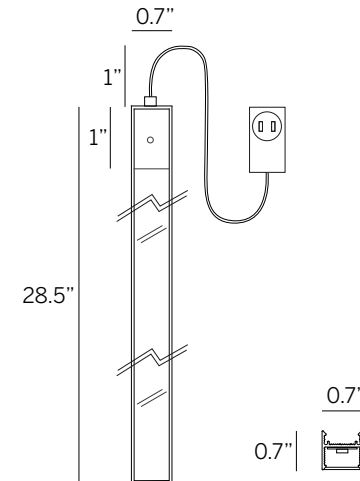


20 Linear Wand

- Standard Opal Diffuser for even illumination and no LED appearance.
- On / Off switch with 118" cable and plug, standard.
- 90+ CRI, 3 Steps MacAdam delivering excellent color rendering.
- Identical LED technology used throughout all Whitegoods Linears, Coves and Perimeter products deliver consistent quality and performance throughout a project.
- Made in USA.
- 5-year warranty.



Housing	Precision extruded aluminum for true dimensions and tolerances Built to cabinet length specifications Finishes: white
Integration	Magnet mount
Distribution	Wide angle illumination
LED	Constant Voltage, 90+ CRI, 3 Steps MacAdam 120 nominal lumens/watt average (see spec sheet for delivered lumens) L70 (TM21 Projected 85C) Static White = 60,000 hours
Lens	OD - Opal Diffuser provides even, continuous line of light and general illumination SD - Satin Clear Diffuser provides high efficiency soft edge beam, general illumination MPL - Micro-prismatic lens provides lower brightness, general illumination NL16 - Narrow Lens optic provides narrow beam for wall grazing applications LL45 - 45 Degree Louver in white, black or satin provides extreme low brightness BD - Block Diffuser of satin acrylic provides general illumination and decorative effect ROD - Round Opal Diffuser 0.8" diameter provides general illumination
Driver	120VAC plug-in
Weight	0.5lbs per foot
Operating Temp	Suitable for operation in maximum ambient temperature of 35C (95F)
Warranty	5-year Limited (see complete company warranty information)
Certifications	ETL and ETL-C for dry and damp location, CE
Voltages	120VAC



Total Length includes 1" for switch.
1" clearance required for cable.

20 Linear Wand

Model	Fixation	Pattern	Length	Power ¹	CRI/ CCT ²	Driver ³	Lens	Finish ⁴
WG-WAND	MM	S	28.5	M	927 930 935 940	S	OD (std) SD MPL NL16 LL45B LL45W LL45S BD ROD	W (std)

Model

- WG-WAND = 20 Linear Wand

Fixation

- MM = Magnetic mounting

Pattern

- S = Straight run

Length

Total length includes 1" for switch, requires 1" clearance for cable

- 28.5 = 28.5"

Power¹

- M = 6W/ft mid power (24V)

CRI/CCT (90+ CRI)²

- 927 = 2700K
- 930 = 3000K
- 935 = 3500K
- 940 = 4000K

Driver (plug-in)³

- S = Standard driver 120 - 240V, 50 - 60 Hz

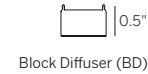
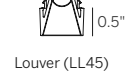
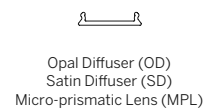
Lens

- OD = Satin opal diffuser (standard)
- SD = Satin clear diffuser
- MPL = Micro-prismatic lens
- NL16 = Linear narrow lens, 16°
- LL45B = Linear louver black
- LL45W = Linear louver white
- LL45S = Linear louver satin
- BD = Block diffuser
- ROD = Round opal diffuser

Finish⁴

- W = White, 15% gloss, Tiger Drylac 49/11350 (standard)

Lenses/Accessories



Whitegoods reserves the right to change any information without prior notice.

Notes

- Wattage shown is for LED boards only, system wattage varies depending on driver selected.
- See spec page for delivered lumens.
- 24V fixture supplied complete with individual socket mount power supply 120-240V, 50-60 Hz and feed cable.
- See Tiger Drylac color chart: inter-lux.com/tiger