

Assembly instruction

Date: 26. 08. 2019

DOPPIO ELLIPSE direct | direct/indirect

General remarks on safety

Read all of these instructions before installing fixtures.

- Keep all of the instructions for future reference.
- Turn off power before installing fixture.
- Installation is to be performed by a qualified electrician only.
- All installations are to conform to the standards of National Electrical Code as well as all local jurisdictional codes and regulations.
- Any modification of the luminaire will void any and all written or implied warranties.
- Do not open the luminaire - this will void the IP rating
- The manufacturer accepts no responsibility for damage to persons or property arising through improper use or installation.

THIS PRODUCT MUST BE INSTALLED IN ACCORDANCE WITH THE APPLICABLE INSTALLATION CODE BY A PERSON FAMILIAR WITH THE CONSTRUCTION AND OPERATION OF THE PRODUCT AND THE HAZARDS INVOLVED



- Verify power is off at installation time.
- Injuries caused by electricity are possible

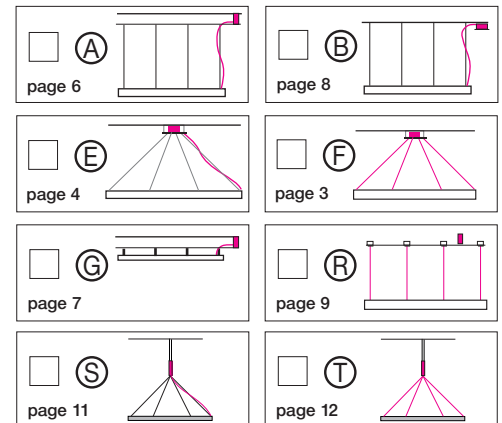
Technical Data:



Measurements Ø mm / inches	Weight kg / lbs Light Fixture	Canopy/ Operating Unit
1550 x 775 mm 61.0 x 30.5"	6 / 13.2	5.0 / 11.0
2200 x 910 mm 86.6 x 35.8"	7 / 15.4	5.0 / 11.0
2750 x 1030 mm 108.2 x 40.5"	7 / 15.4	5.0 / 11.0

Mounting Version

Supply line 24 V



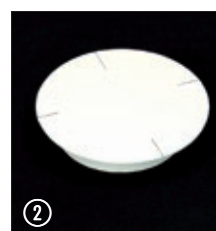
BOM

Package 1

- | | | | |
|-------------------------------------|--|---|--------|
| <input checked="" type="checkbox"/> | Aluminium frame with acrylic diffusor and 4, respectively 6 steel cables | ① | 1 unit |
|-------------------------------------|--|---|--------|

Package 2

- | | | | |
|-------------------------------------|--------------------------------|---|--------|
| <input type="checkbox"/> | Canopy incl. power supply unit | ② | 1 unit |
| <input type="checkbox"/> | External power supply unit | ③ | 1 unit |
| <input checked="" type="checkbox"/> | White gloves | ④ | 1 pair |
| <input checked="" type="checkbox"/> | Screwdriver | | 1 unit |
| <input checked="" type="checkbox"/> | Assembly instructions | | 1 unit |
| <input type="checkbox"/> | Not dimmable | | |
| <input type="checkbox"/> | DMX interface | | |
| <input type="checkbox"/> | Dimmer interface 0-10V | | |
| <input type="checkbox"/> | Dimmer interface 1-10V | | |
| <input type="checkbox"/> | DALI interface | | |
| <input type="checkbox"/> | LUTRON interface | | |
| <input type="checkbox"/> | Bluetooth interface | | |
| <input type="checkbox"/> | Enocan interface | | |



Assembly instruction

Date: 26. 08. 2019

DOPPIO ELLIPSE

direct | direct/indirect

Warranty

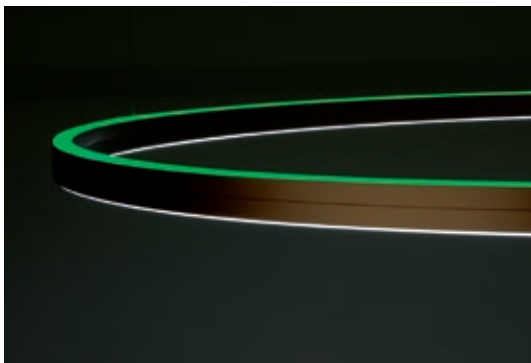
Use the enclosed assembly instructions for the installation of the lighting fixture. Non-compliance with the assembly instruction will automatically void the warranty.

The persons assigned with the installation of the product are instructed to handle it with the utmost care and safety in order to avoid damages to third parties.

The present light fixture has been tested and is fully operational.

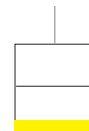


DOPPIO direct/indirect, assembly version (A)

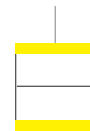


DOPPIO direct/indirect RGB, detail

DOPPIO - Beam spread variance



DIRECT



DIRECT / INDIRECT



Consignment consists of 2 packages

Unpack light fixture and check the parts list to make sure it is complete. Use the provided gloves for fitting the light fixture in order to keep polished surfaces and the acrylic glass clean.

Do not remove the protective foil until after assembly.

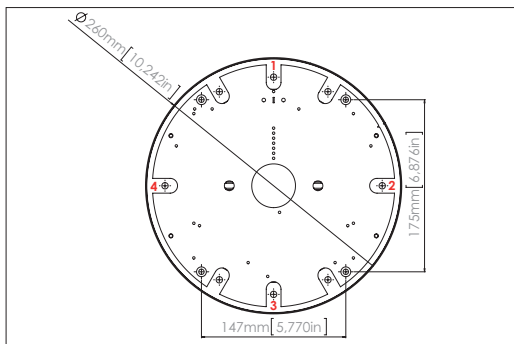
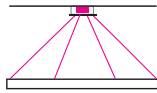
Assembly instruction

Date: 26. 08. 2019

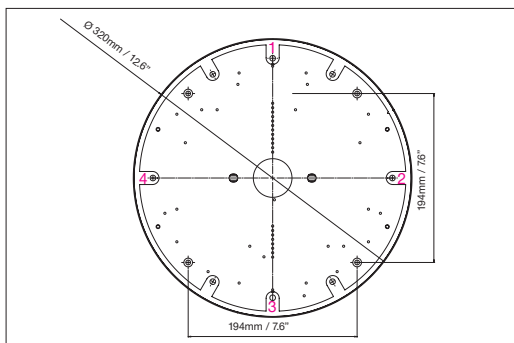
DOPPIO ELLIPSE

direct | direct/indirect

Light fixture with canopy –
Connection of the light fixture
with current-carrying steel cables



Canopy Ø 290 mm / 11,4" with 4 steel cables



Canopy Ø 350 mm / 13,7" with 4 steel cables

Mounting of the canopy



Make sure the ceiling has sufficient support capacity!

1. Fit the base of the canopy to the ceiling with the 4 mounting points. Ø Drill 6mm / 1/4" holes and anchor to fasten canopy to ceiling (see scale sketch on the left).
2. Connect the power supply and the control signal to the terminal block of the ceiling plate (see wiring diagram from page 18).

Connection of the light fixture

3. Fix light fixtures with 4 steel cables to the canopy at the provided cable grippers ①.



Consider the polarity of the current-carrying cables in accordance with the markings on the light fixture and the canopy.

4. Lift the light fixture in its desired position and adjust by applying light pressure on the steel cable grippers. Observe minimum / maximum suspension height on page 5.



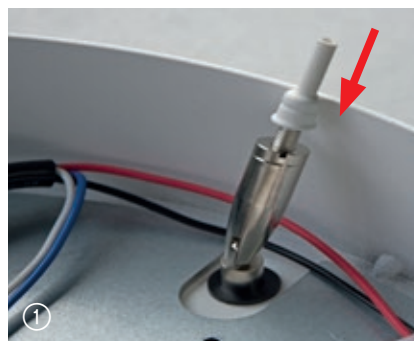
Never adjust the suspension under pressure. The steel cables might get damaged.

5. When the final position of the light fixture is determined, fix the lock nut and shorten excessive steel cables in the canopy. If you want to change the height of the luminaire later, it is also possible to insulate the steel cables inside the canopy.



Gekürzte Seile können nur werkseitig wieder ersetzt werden

- 6a. (optional) Canopy cover including light spot:
Connect spot with canopy.
- 6b. Mount the canopy cover and fasten it with screws from the side.
7. Check whether the light fixture is functioning.



Canopy with mounted cover



Canopy with spot

Canopy Ø 510 mm / 13,7" with 6 steel cables

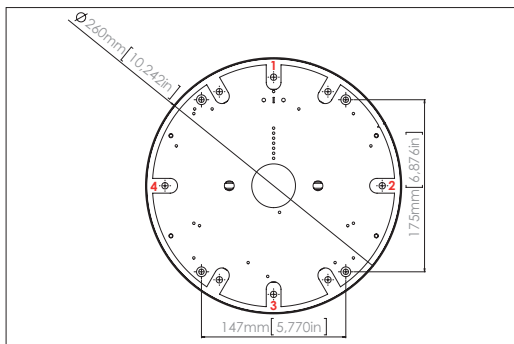
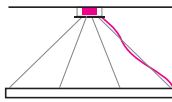
Assembly instruction

Date: 26. 08. 2019

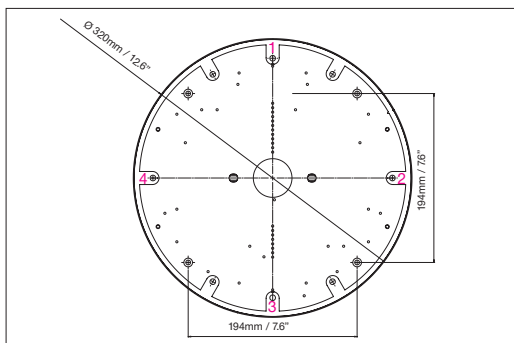
DOPPIO ELLIPSE

direct | direct/indirect

Light fixture with canopy – Connection of the light fixture with separate power supply cable



Canopy Ø 290 mm / 11,4" with 4 steel cables



Canopy Ø 350 mm / 13,7" with 4 steel cables

Montage des Baldachins



Make sure the ceiling has sufficient load-carrying capacity!

1. Fit the base of the canopy to the ceiling with the 4 mounting points. Ø Drill 6mm / 1/4" holes and anchor to fasten canopy to ceiling (see scale sketch on the left).
2. Connect the power supply and the control signal to the terminal block of the canopy (see wiring diagram E from page 15).

Connection of the light fixture

3. Fix light fixtures with 4 cables to the canopy at the provided cable grippers ①.
4. Lift the light fixture in its desired position and adjust by applying light pressure on the steel cable grippers. Observe minimum / maximum suspension height on page 5.



Never adjust the suspension under pressure. The steel cables might get damaged.

5. When the final position of the light fixture is determined, fix the lock nut and shorten excessive steel cables in the canopy. If you want to change the height of the luminaire later, it is also possible to insulate the steel cables inside the canopy.



Gekürzte Seile können nur werkseitig wieder ersetzt werden

- 6a. Insert the power supply line through the side of the ceiling plate and connect it to the terminal block in accordance with the wiring diagram (from page 15)
- 6b (optional) Canopy including light spot: connect pre-assembled connector to canopy.
7. Mount the canopy cover and fasten it with screws from the side.
8. Check whether the light fixture is functioning.



Canopy with mounted cover



Canopy with spot

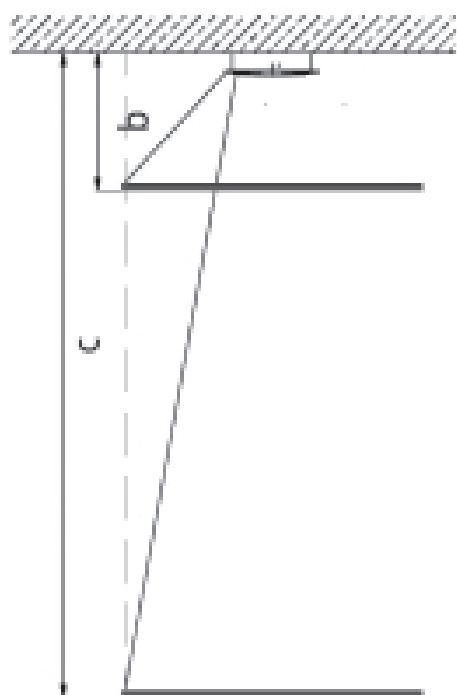
DOPPIO ELLIPSE

direct | direct/indirect



Light fixture with canopy

minimum (b) respectively maximum (c) ceiling suspension



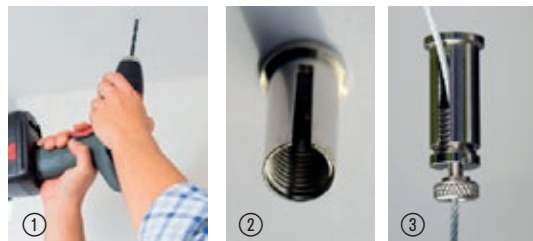
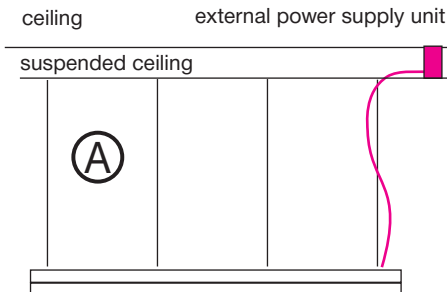
	min.	max
1550 x 775mm/ 61.0 x 30.5"	387 mm / 15.25"	1750 mm / 68.89"
2200 x 910mm/ 86.6 x 35.8"	455 mm / 17.91"	2047 mm / 80.61"
2750 x 1030mm/ 108.2 x 40.5"	515 mm / 20.27"	2317 mm / 91.24"

Assembly instruction

Date: 26. 08. 2019

DOPPIO ELLIPSE

direct | direct/indirect



Light fixture with steel cable suspension – Connection of the light fixture with external power supply unit

Mounting of the cable grippers, installation of the light fixture



Make sure the ceiling has sufficient support capacity!

1. Mark the 4 anchor positions of the light fixture on the ceiling according to the drilling template on page 13 (observe different measurements).
2. Drill Ø 6mm / 1/4 holes, insert anchors and fasten steel cable holders, see pictures ① - ③ .

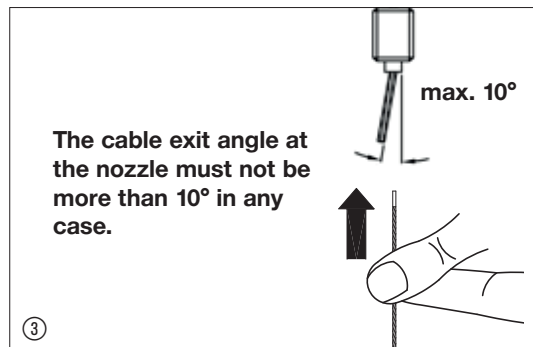


The steel cable grippers cannot be used for outdoor areas. Make sure cables are not damaged. Prior to mounting, the nozzle of the steel cable bracket has to have noticeable spring pressure. In order to ensure full suspension, the steel cables have to be clean and free from greases, oils and rust. The steel cable grippers can only be used in connection with the provided fixation cables for stationary and static loads, see picture ⑤

3. Insert the cables which have been pre-attached to the light fixture in the steel cable grippers.
4. Lift the light fixture in its desired position and adjust by applying light pressure on the steel cable grippers.
5. If provided, lock the steel cable grippers in place by use of the insulated knurled screw.
6. Shorten excessive steel cables.



Shortened cables can only be replaced by the factory!



Assembly of the operating unit, connection to light fixture

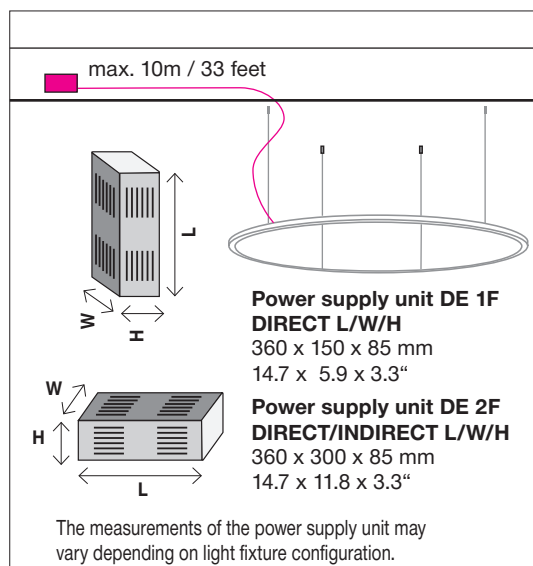


Mount external power supply unit only in a dry and aerated place!

Power supply cable from the operating unit to the light fixture max. 10m / 33 feet

Assembly of external power supply vertically or horizontally (see sketch)

7. Open the housing of the operating unit by loosening the 4 screws.
8. Fasten operating unit sufficiently.
9. Connect primary connection and power supply cable of the light fixture according to the wiring diagram (from page 15), then fasten the housing of the operating unit again.
10. Check whether the light fixture is functioning.

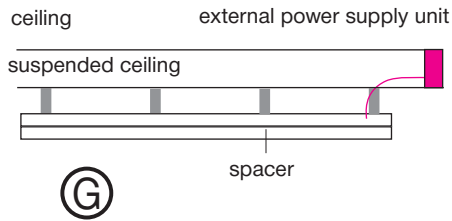


Assembly instruction

Date: 26. 08. 2019

DOPPIO ELLIPSE

direct



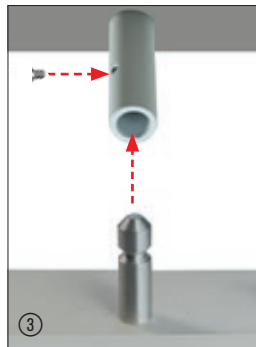
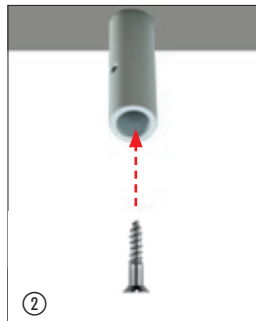
Direct ceiling mounting –
Connection of the light fixture
with external power supply unit

Mounting of the ceiling support



Make sure the ceiling has sufficient support capacity!

1. Mark the 4 anchor positions of the light fixture on the ceiling according to the drilling template page 14 (observe different measurements).
2. Drill \varnothing 6mm / 1/4 holes, insert anchors and fasten ceiling spacers (50 mm), see pictures ① + ② .
3. Insert the bolts which have been pre-attached to the light fixture, in the ceiling spacer.
4. Fasten with the locking screw on the side ③.



Assembly of the operating unit, connection to
light fixture

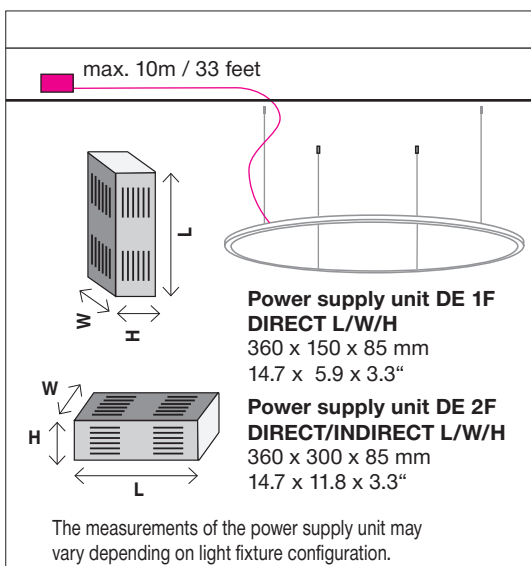


Mount operating unit only in a dry and aerated place!

Power supply cable from the operating unit to the light fixture max. 10m / 33 feet

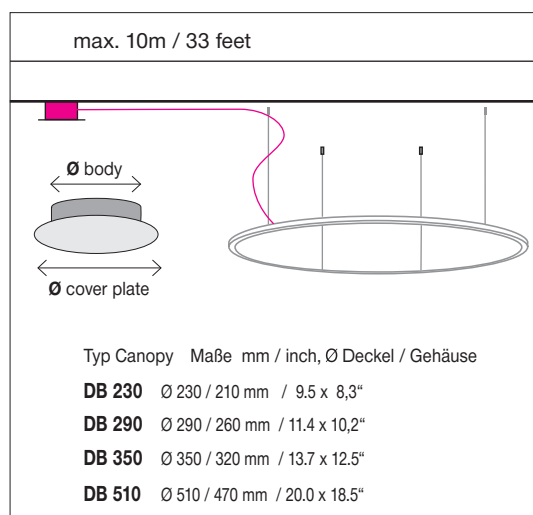
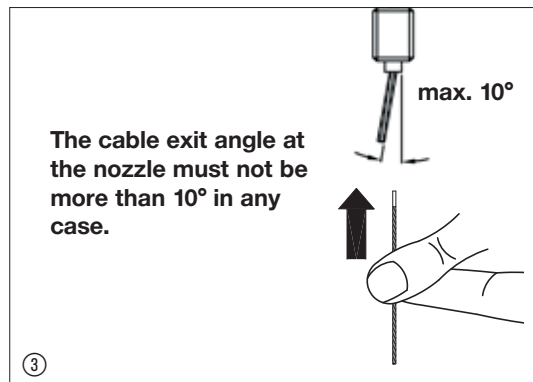
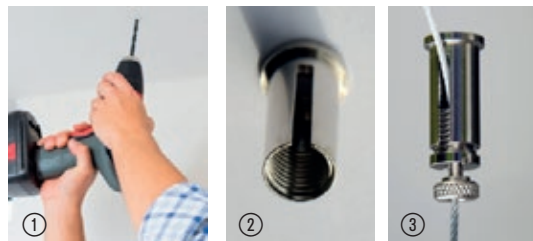
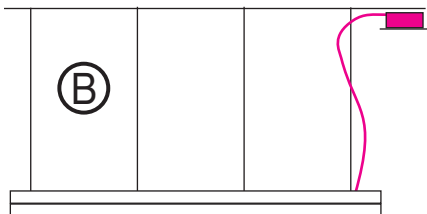
Fixation of power supply unit vertically or horizontally (see sketch)

5. Open the housing of the operating unit by loosening the 4 screws.
6. Fasten power supply unit sufficiently.
7. Connect primary connection and power supply cable of the light fixture according to the wiring diagram (from page 15), then fasten the housing of the operating unit again.
8. Check whether the light fixture is functioning.



DOPPIO ELLIPSE

direct | direct/indirect



Light fixture with steel cable suspension – Connection of the light fixture with separate canopy



Mounting of the cable grippers, installation of the light fixture



Make sure the ceiling has sufficient support capacity!

1. Mark the 4 anchor positions of the light fixture on the ceiling according to the drilling template page 13 (observe different measurements).
2. Drill Ø 6mm / 1/4 holes, insert anchors and fasten steel cable holders, see pictures ① - ③ .



The steel cable grippers cannot be used for outdoor areas. Make sure cables are not damaged. Prior to mounting, the nozzle of the steel cable gripper has to have noticeable spring pressure. In order to ensure full suspension, the steel cables have to be clean and free from greases, oils and rust. The steel cable gripper can only be used in connection with the provided fixation cables for stationary and static loads, see picture ③

3. Insert the cables which have been pre-attached to the light fixture in the steel cable grippers.
4. Lift the light fixture in its desired position and adjust by applying light pressure on the steel cable grippers.
5. If provided, lock the steel cable grippers in place by use of the insulated knurled screw.
6. Shorten excessive steel cables.



Shortened cables can only be replaced by the factory!

Assembly of the canopy, connection to light fixture



Power supply cable from the operating unit to the light fixture max. 10m / 33 feet

7. Mark the 4 anchor positions of the canopy on the ceiling according to the scale sketch (page 3) – different measurements depending on size. Drill Ø 6mm / 1/4 holes, insert anchors and fasten canopy.
8. Connect primary connection in accordance with the wiring diagram B (from page 15)
9. Insert the power supply cable that has been pre-attached to the light fixture in the side of the canopy and connect to the terminal block according to wiring diagram B (from page 15)
10. Mount canopy cover and fasten with screws from the side.
11. Check whether the light fixture is functioning.

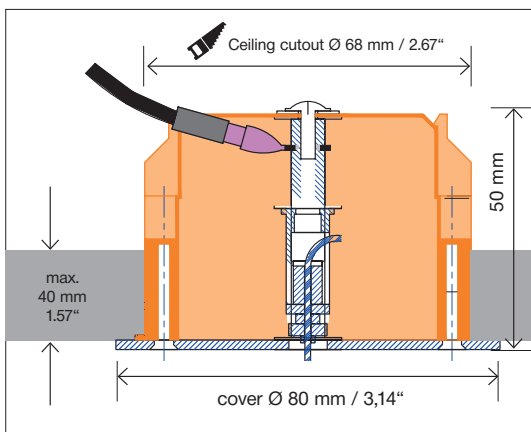
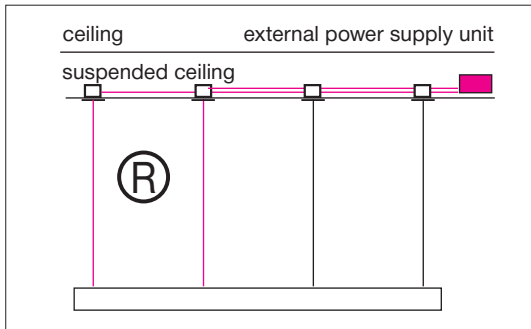
Assembly instruction

Date: 26. 08. 2019

DOPPIO ELLIPSE

direct | direct/indirect

Light fixture with current-carrying steel cables, cavity boxes and external power supply unit.



Mounting of the cavity boxes with integrated steel cable grippers.



Make sure the ceiling has sufficient load-carrying capacity!

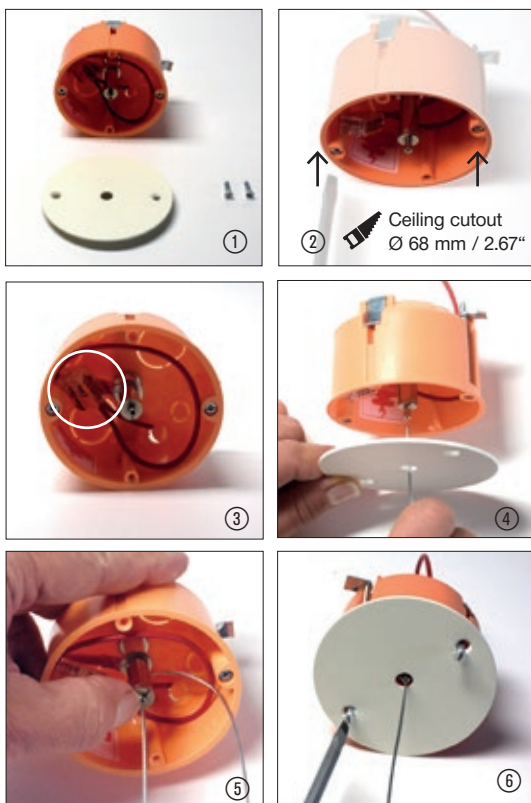
1. Mark the 4 positions of the cavity boxes on the ceiling according to the drilling template on page 13.
2. Cut out a ceiling cavity with \varnothing 68 mm / 2.67" ②.
3. Connect the enclosed secondary supply cable to the cavity box ③ and connect the cable to the canopy (max. 3m). Observe connection diagram R (from page 20) and marking on luminaire.
4. Attach the cavity box to the ceiling with 2 cross-recessed screws (the thickness of the ceiling must be max. 40 mm / 1.57").
5. Insert the steel cables (which are already mounted on the fixture) through the hole in the cover plate in the cable grippers ④.
6. Lift the light fixture in the requested position and adjust by applying slight pressure on the steel cable grippers ⑤.
7. Shorten excessive steel cables.



Shortened cables can only be replaced by the factory!



The steel cable grippers cannot be used for outdoor areas. Make sure cables are not damaged. Prior to mounting, the nozzle of the steel cable bracket has to have noticeable spring pressure. In order to ensure full suspension, the steel cables have to be clean and free from grease, oil and rust. The steel cable grippers can only be used in connection with the provided fixation cables for stationary and static loads.



8. Fix cover with two screws ⑥.

Assembly instruction

Date: 26. 08. 2019

DOPPIO ELLIPSE

direct | direct/indirect

Light fixture with current-carrying steel cables, cavity boxes and external power supply unit.



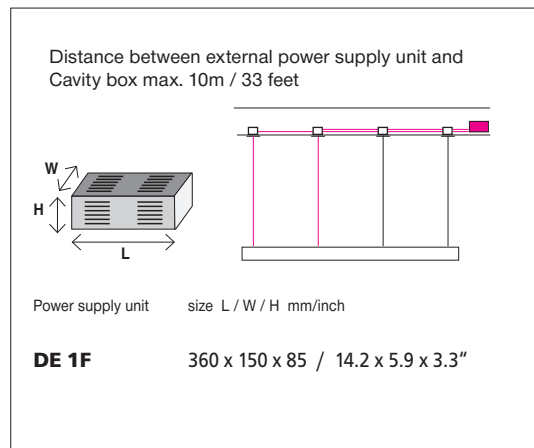
Assembly of the power supply unit, connection to cavity boxes

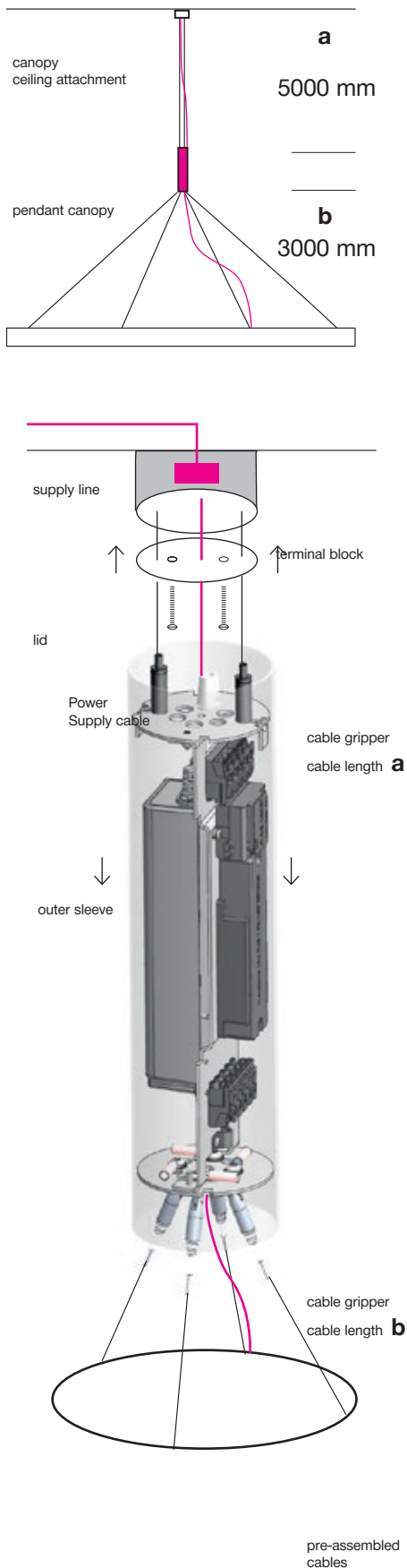


Mount external power supply unit only in a dry and well-ventilated place!

Installation in suspended ceiling, maximum distance to cavity box 10 m / 33 feet.

9. Connect the primary connection according to the connection diagram (from p.20).
10. Fix power supply unit sufficiently.
11. Insert the supply cable at the side of the power supply unit and connect it to the terminal block according to connection diagram R (from p.20).
12. Check whether the light fixture is functioning.
13. Attach the power supply unit cover and fix it with screws on the side.





Luminaire with pendant canopy – Connecting the light fixture with separate supply line



Mounting the Canopy Ceiling Attachment



Verify sufficient load-bearing capacity of the ceiling!

1. Fasten the canopy ceiling attachment to the ceiling at the 2 mounting points. Ø 6mm / 1/4“ drill and wall plugs
2. Connect the power supply and the control signal to the terminal block of the canopy. For this, dismount the terminal block, connect the cables and mount the terminal block again. Insert the two pre-assembled steel cables (5000mm) and the power supply cable through the canopy lid, fasten cable anchorage and lid with magnets.

Mounting the Pendant Canopy

3. Move the outer sleeve of the pendant canopy up, turn and then move it down.
4. Insert both steel cables (cable length a) in the cable gripper of the pendant canopy and adjust to desired length by applying slight pressure to the cable gripper.



Never adjust the suspension under load to avoid damage to the steel cables.

5. Lock the cable grippers on the canopy by use of the insulated knurled nut.
6. Protruding steel cables may be shortened, if necessary.



Shortened cables may only be replaced by the manufacturer.

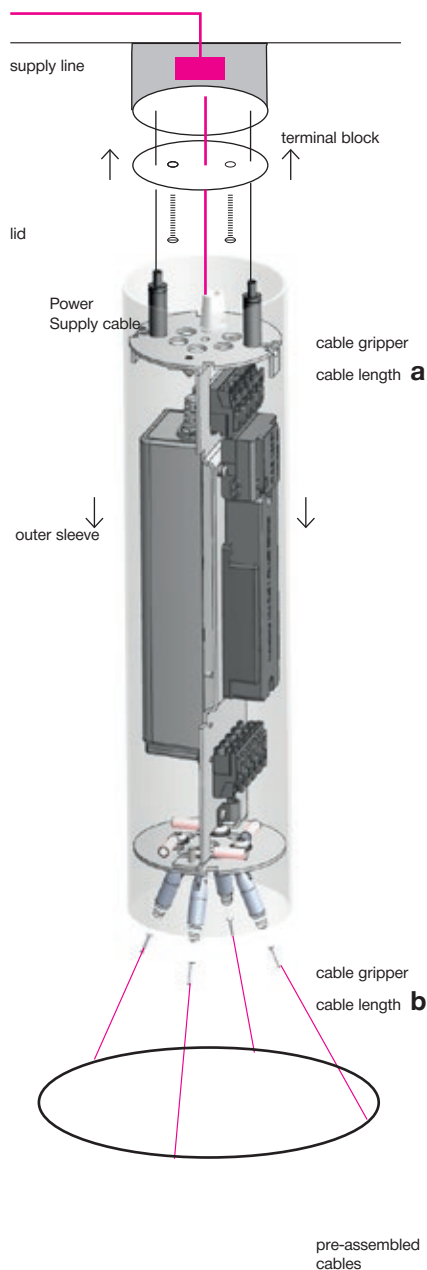
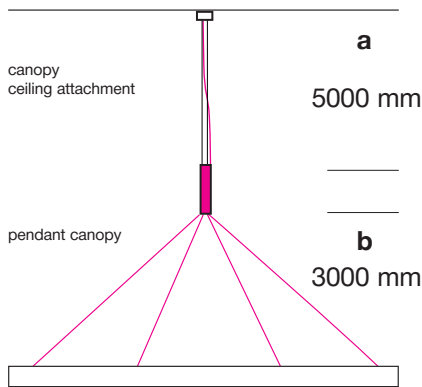
7. Connect the supply line to the terminal block of the pendant canopy, lock cable anchorage. Move the outer sleeve back up.

Connecting the Luminaire

8. Fasten the luminaire body to the bottom part of the pendant canopy at the cable anchors provided with the pre-assembled cables (cable length b) and adjust by applying slight pressure to the cable hold.
9. Lock the cable holds by use of the insulated knurled nut.
10. Connect the pre-assembled supply line to the terminal block at the bottom of the pendant canopy. Lock cable anchorage.
11. Put the sleeve of the pendant canopy back in position and fasten it.
12. Check the luminaire functions.

Assembly instruction

Date: 26. 08. 2019



Luminaire with pendant canopy – Connecting the light fixture with current-carrying steel cables



Mounting the Canopy Ceiling Attachment



Verify sufficient load-bearing capacity of the ceiling!

1. Fasten the canopy ceiling attachment to the ceiling at the 2 mounting points. Ø 6mm / 1/4" drill and wall plugs
2. Connect the power supply and the control signal to the terminal block of the canopy. For this, dismount the terminal block, connect the cables and mount the terminal block again. Insert the two pre-assembled steel cables (5000mm) and the power supply cable through the canopy lid, fasten cable anchorage and lid with magnets.

Mounting the Pendant Canopy

3. Move the outer sleeve of the pendant canopy up, turn and then move it down.
4. Insert both steel cables (cable length a) in the cable gripper of the pendant canopy and adjust to desired length by applying slight pressure to the cable gripper.



Never adjust the suspension under load to avoid damage to the steel cables.

5. Lock the cable grippers on the canopy by use of the insulated knurled nut.
6. Protruding steel cables may be shortened, if necessary.



Shortened cables may only be replaced by the manufacturer.

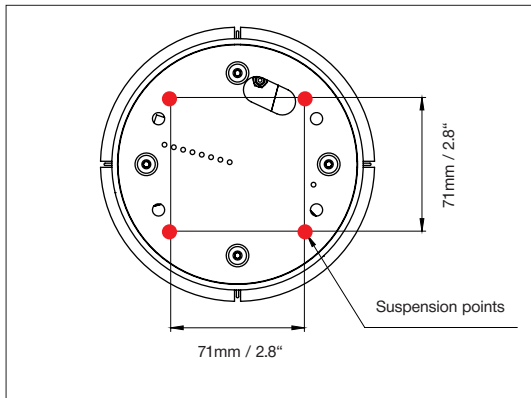
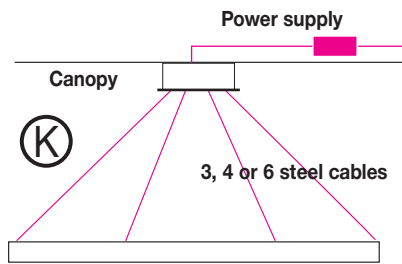
7. Connect the power supply cable to the terminal block of the pendant canopy, lock cable anchorage. Move the outer sleeve back up.

Connecting the Luminaire

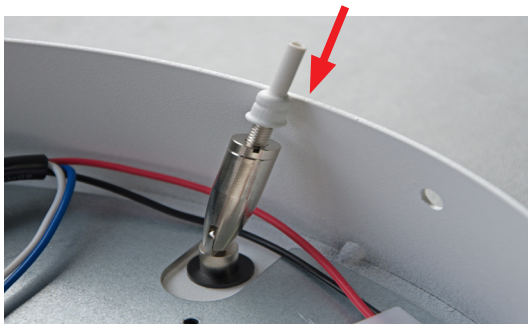
8. the cable anchors provided with the pre-assembled cables (cable length b) and adjust by applying slight pressure to the cable hold. Observe the polarity of the live cables according to the markings on the luminaire and the canopy.
9. Lock the cable holds by use of the insulated knurled nut.
10. Shorten protruding current-carrying steel cables to avoid short circuits.
11. Put the sleeve of the pendant canopy back in position and fasten it.
12. Check the luminaire functions.

Assembly instruction

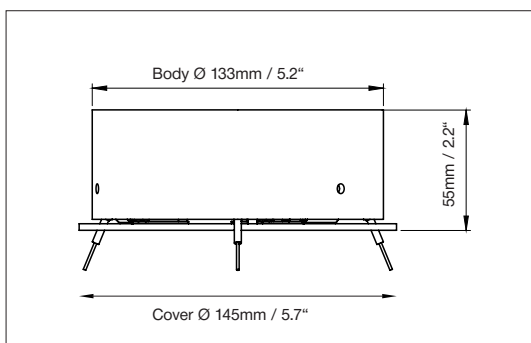
Date: 24.07.2018



① 4 suspension points (Body)



② Cable gripper with lock nut



Canopy, 2 parts

Ceiling canopy as clamping point with 3, 4 or 6 steel cables. Power supply unit in suspended ceiling.



Mounting of the canopy



Make sure the ceiling has sufficient load-carrying capacity!

1. Mark the 4 anchor positions of the canopy on the ceiling according to the scale sketch ①. Drill \varnothing 6mm/ 1/4" holes, insert anchors and fasten canopy.
2. Connect power supply cable and control signal to the power supply unit. Connect the supply cable of the power supply unit to the clamping point in the canopy.

Connection of the light fixture

3. Fix light fixtures with 3, 4 or 6 steel cables to the canopy, use the provided cable grippers ②.



Consider the polarity of the current-carrying cables in accordance with the markings on the light fixture and the canopy.

4. Move the luminaire to the desired position and align by applying light pressure on the steel cable grippers ②.



Never adjust the suspension under pressure. The steel cables might get damaged.

5. When the final position of the light fixture is determined, fix the lock nut and shorten excessive steel cables in the canopy. If you want to change the height of the luminaire later, it is also possible to insulate the steel cables inside the canopy.



Shortened cables can only be replaced by the factory!

6. Mount the canopy cover and fasten it with screws from the side.
7. Check whether the light fixture is functioning.

Assembly instruction

Date: 26. 08. 2019

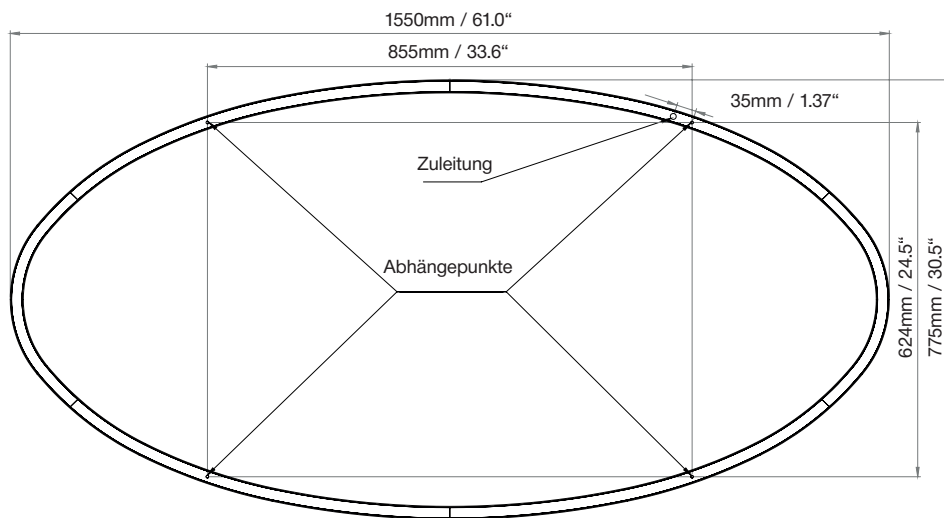
DOPPIO ELLIPSE

direct | direct/indirect

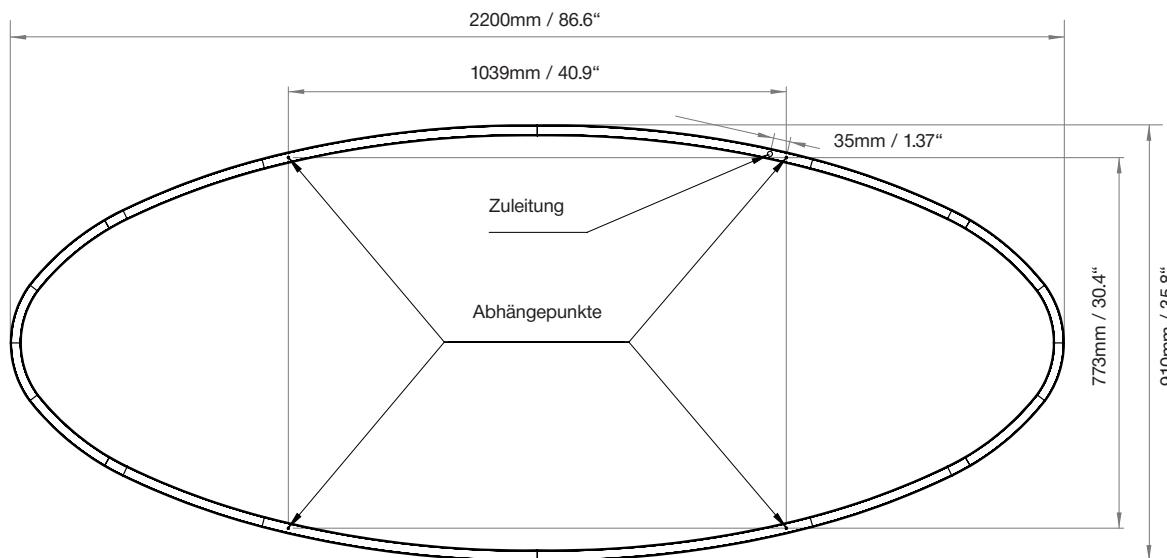


Light fixtures with steel cable suspension or ceiling spacers

Depending on the size of light fixture:
4 anchor points for suspension.



DOPPIO ELLIPSE 1550 x 775mm



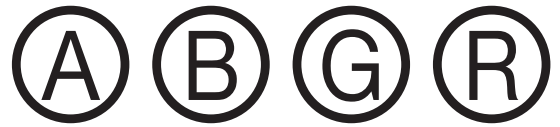
DOPPIO ELLIPSE 2200 x 910mm

Assembly instruction

Date: 26. 08. 2019

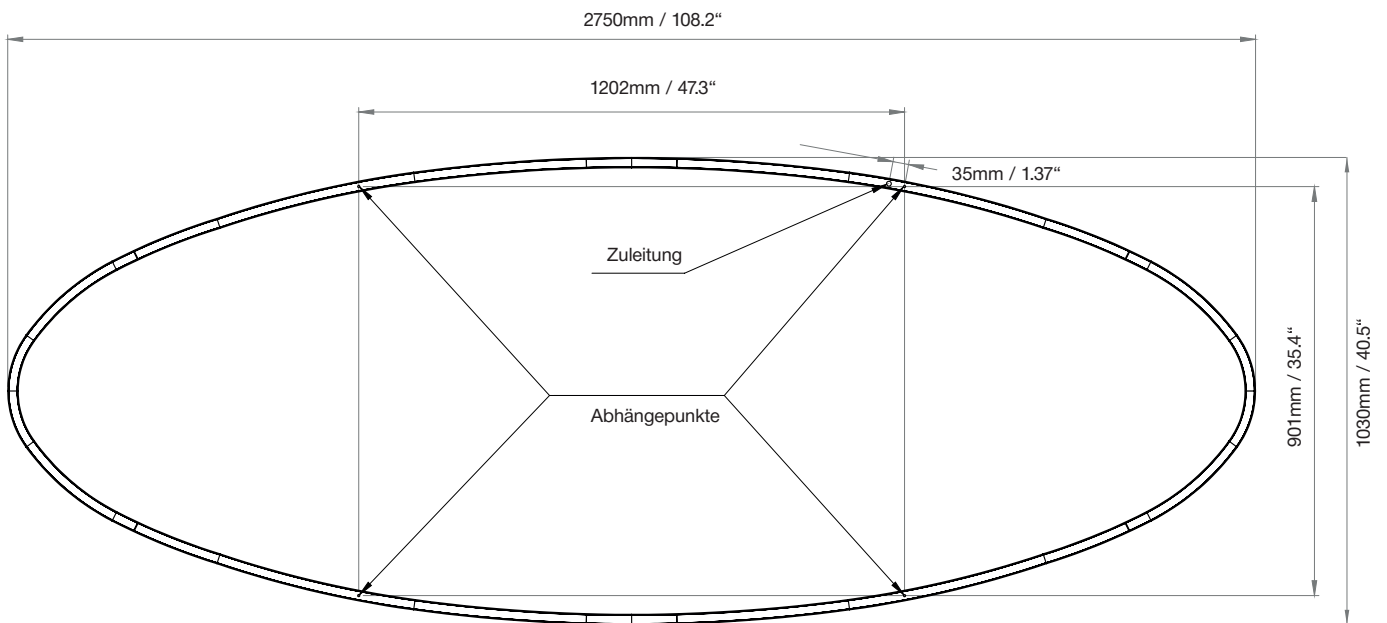
DOPPIO ELLIPSE

direct | direct/indirect



Light fixtures with steel cable suspension or ceiling spacers

Depending on the size of light fixture:
4 anchor points for suspension.



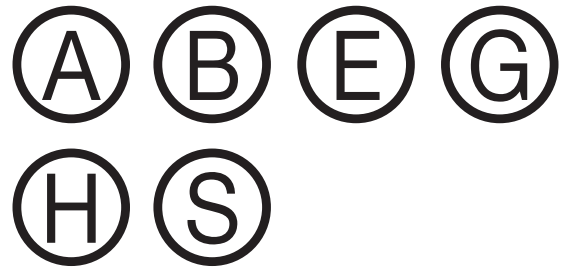
DOPPIO ELLIPSE 2750 x 1030mm

Assembly instruction

Date: 26. 08. 2019

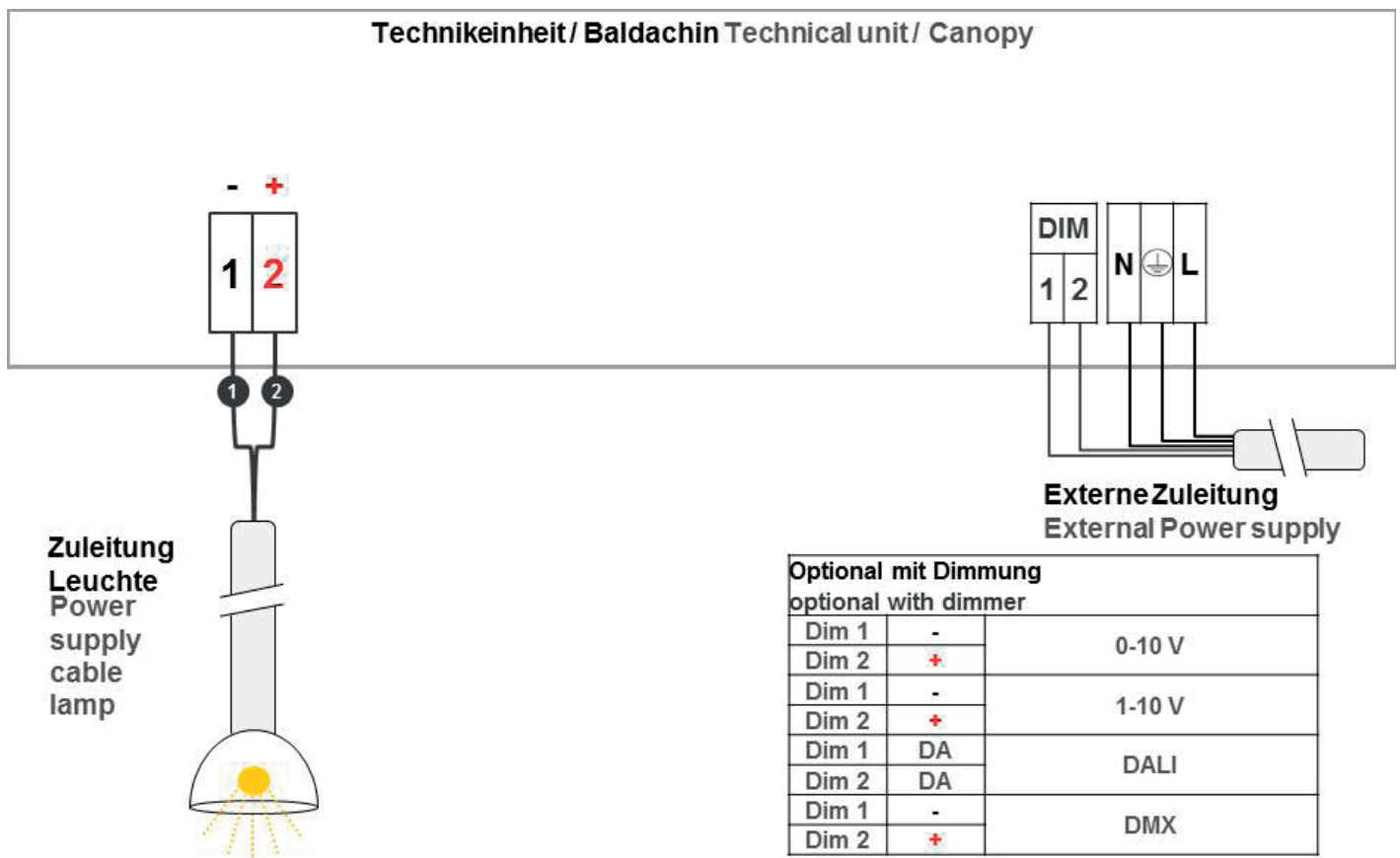
DOPPIO ELLIPSE

direct



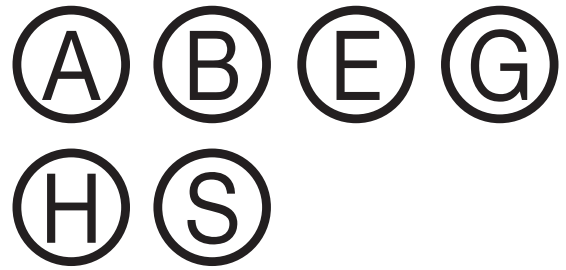
Anschlussschema 1 x LED weiß direkt
 Wiring diagram 1 x LED white direct

North America: ETL



DOPPIO ELLIPSE

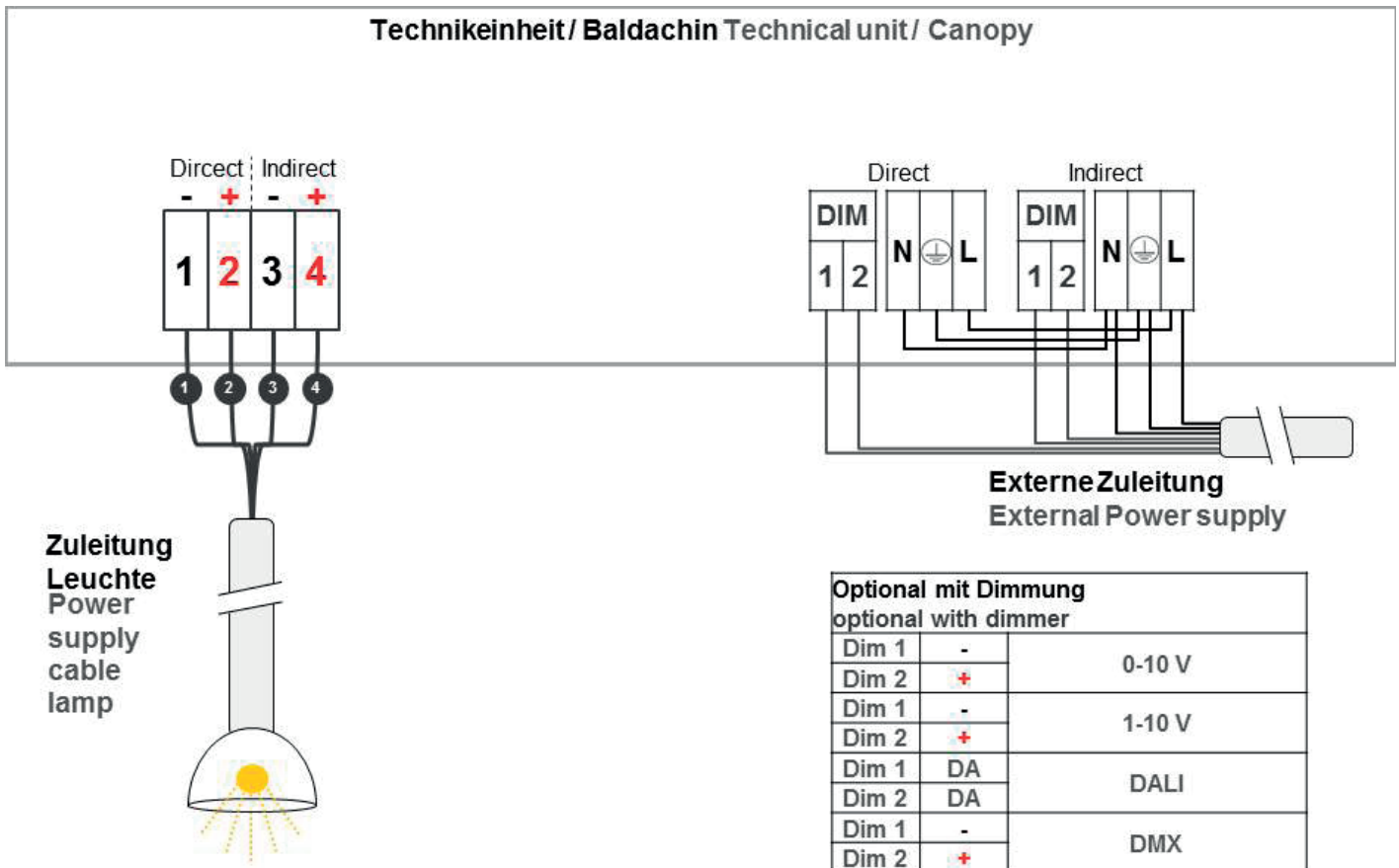
direct/indirect



Anschlusschema 1 x LED weiß direkt
1 x LED weiß indirekt

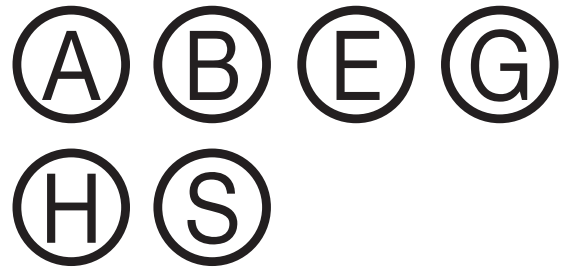
Wiring diagram 1 x LED white direct
1 x LED white indirect

North America: ETL



DOPPIO ELLIPSE

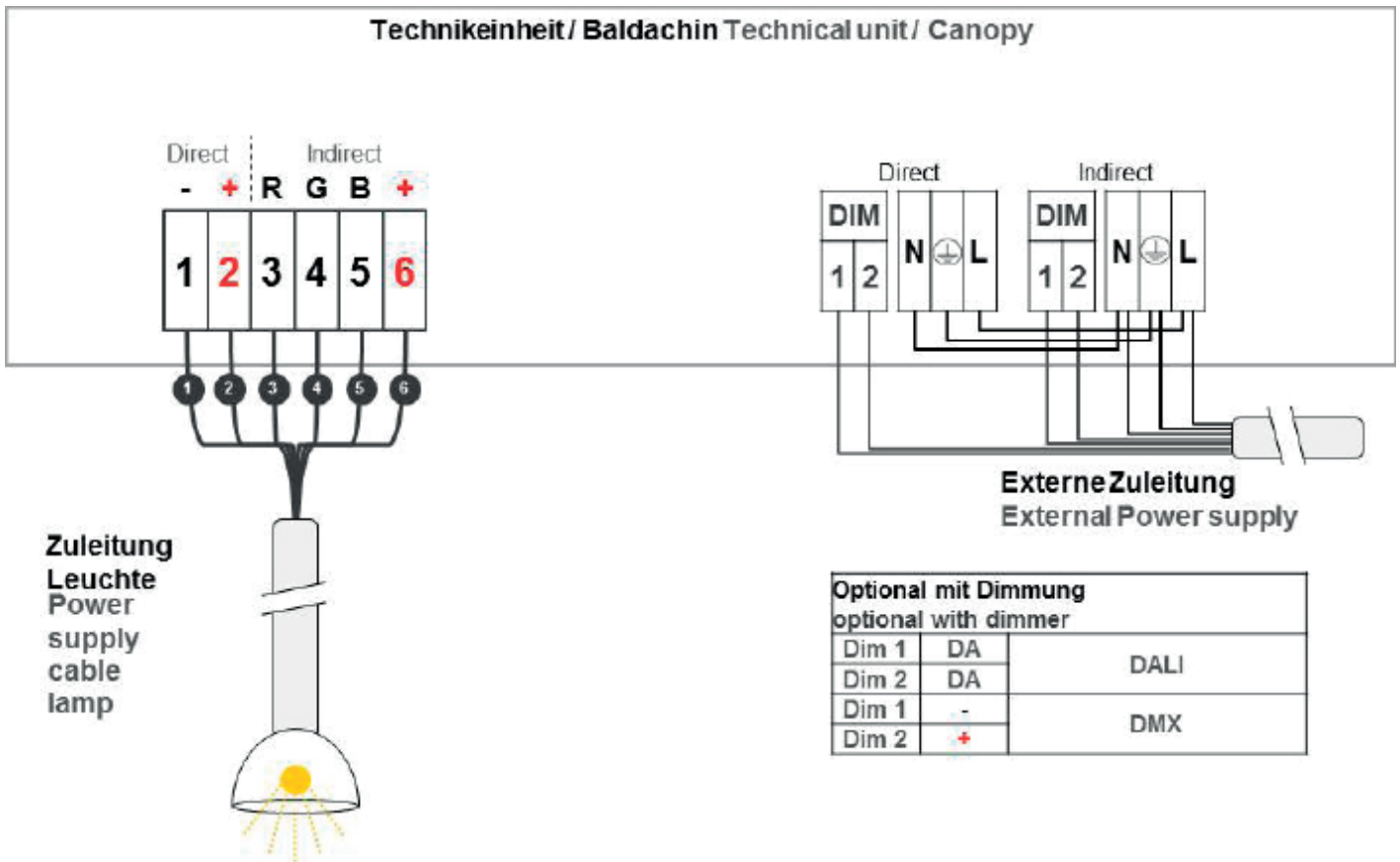
direct/indirect



Anschlusschema 1 x LED weiß direkt
1 x LED RGB indirekt

Wiring diagram 1 x LED white direct
1 x LED RGB indirect

North America: ETL

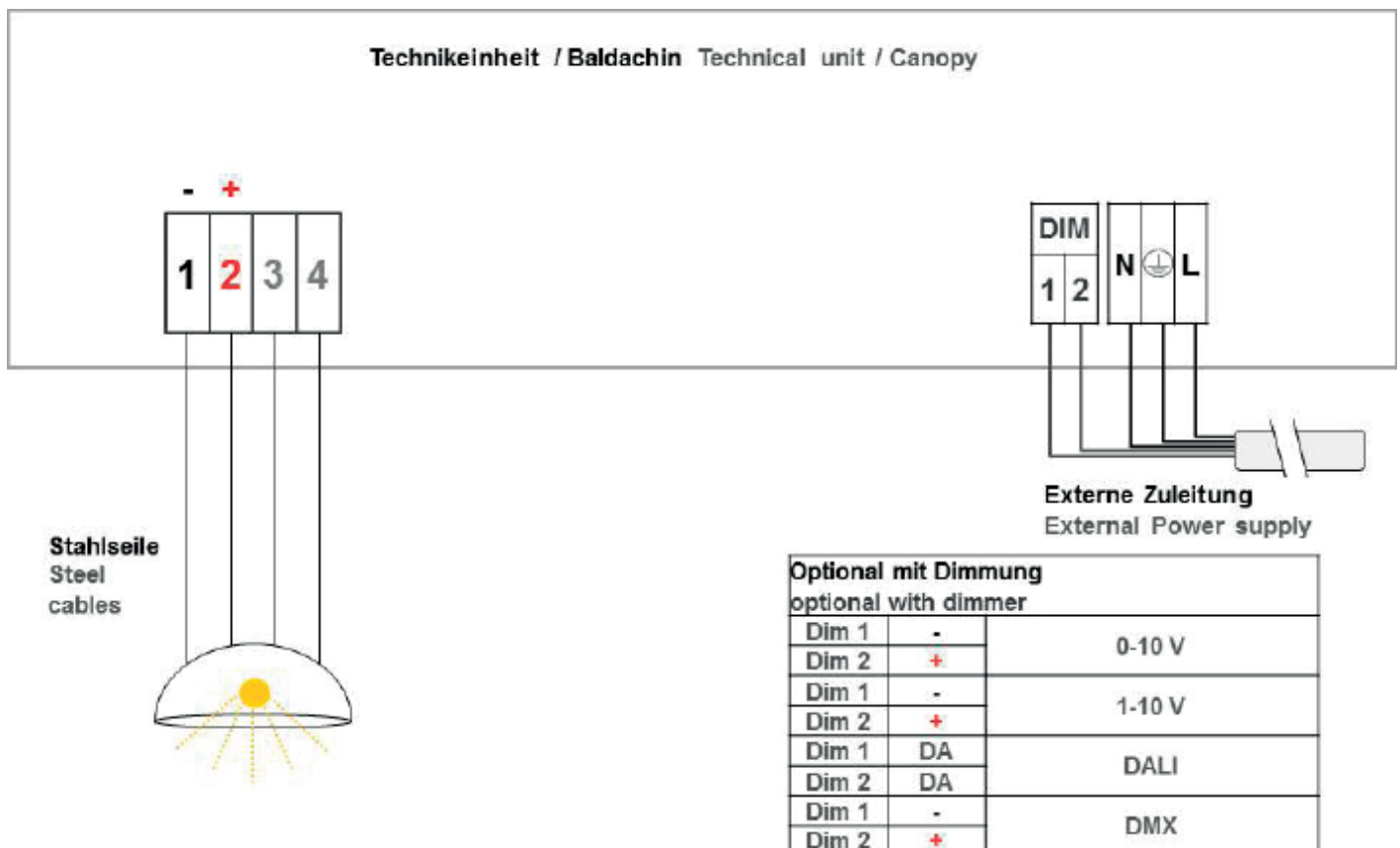


DOPPIO ELLIPSE
direct



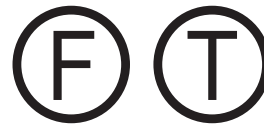
Anschlusschema 1 x LED weiß direkt
Wiring diagram 1 x LED white direct

North America: ETL



DOPPIO ELLIPSE

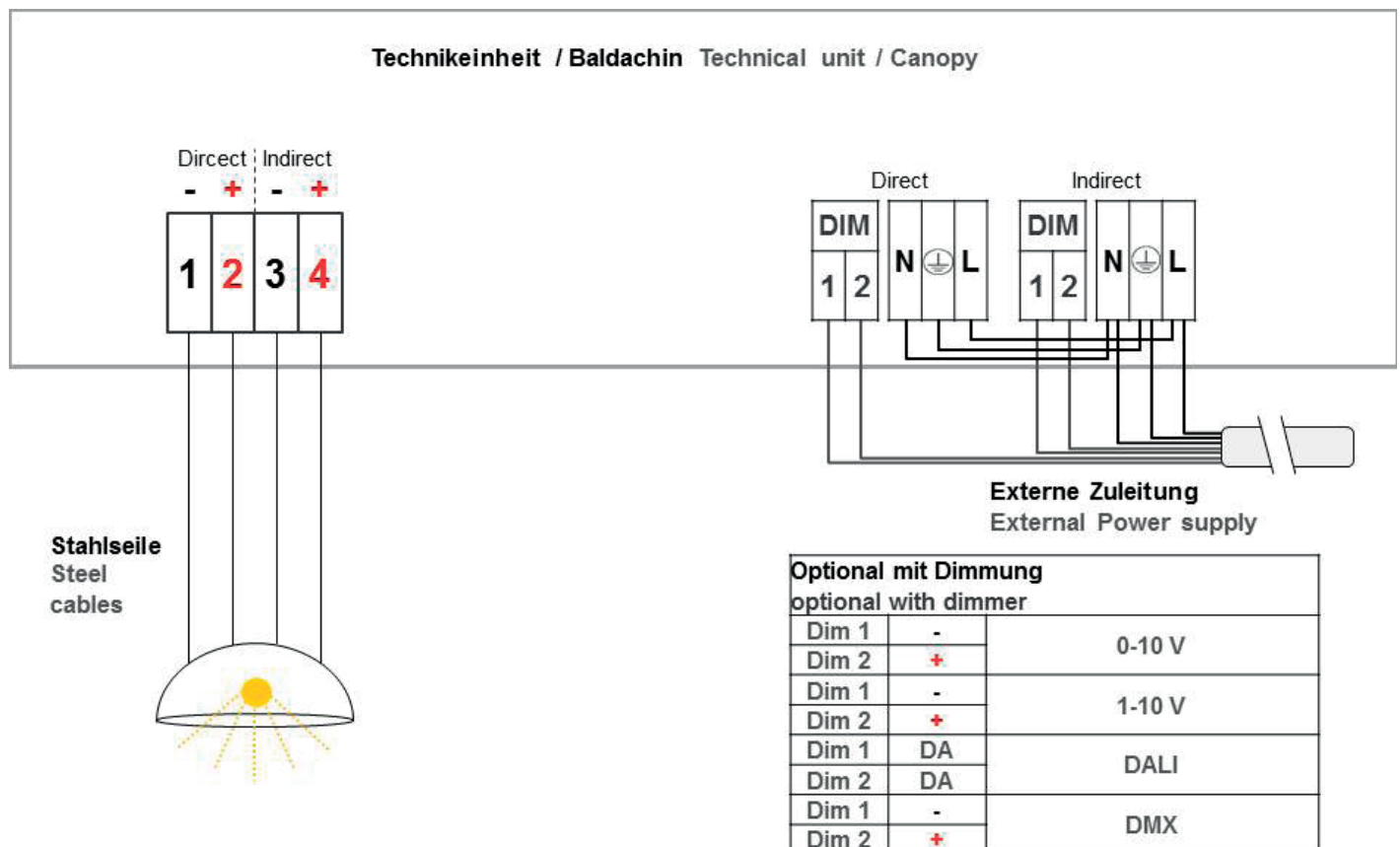
direct/indirect



Anschlusschema 1 x LED weiß direkt
1 x LED weiß indirekt

Wiring diagram 1 x LED white direct
1 x LED white indirect

North America: ETL



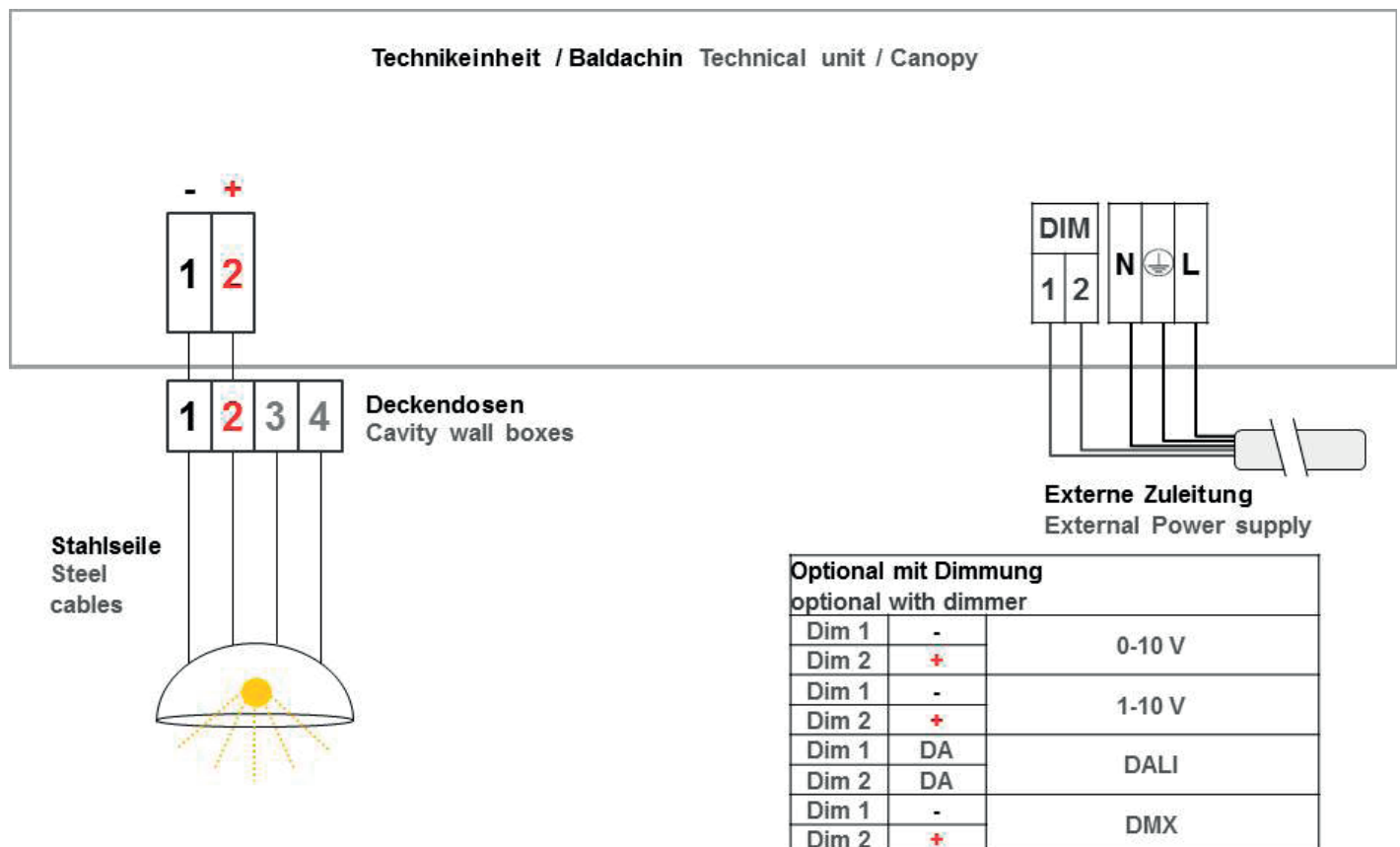
DOPPIO ELLIPSE
direct



Anschlussschema 1 x LED weiß direkt
Wiring diagram 1 x LED white direct

North America: ETL

Ø 900, 1240, 1550 mm



DOPPIO ELLIPSE

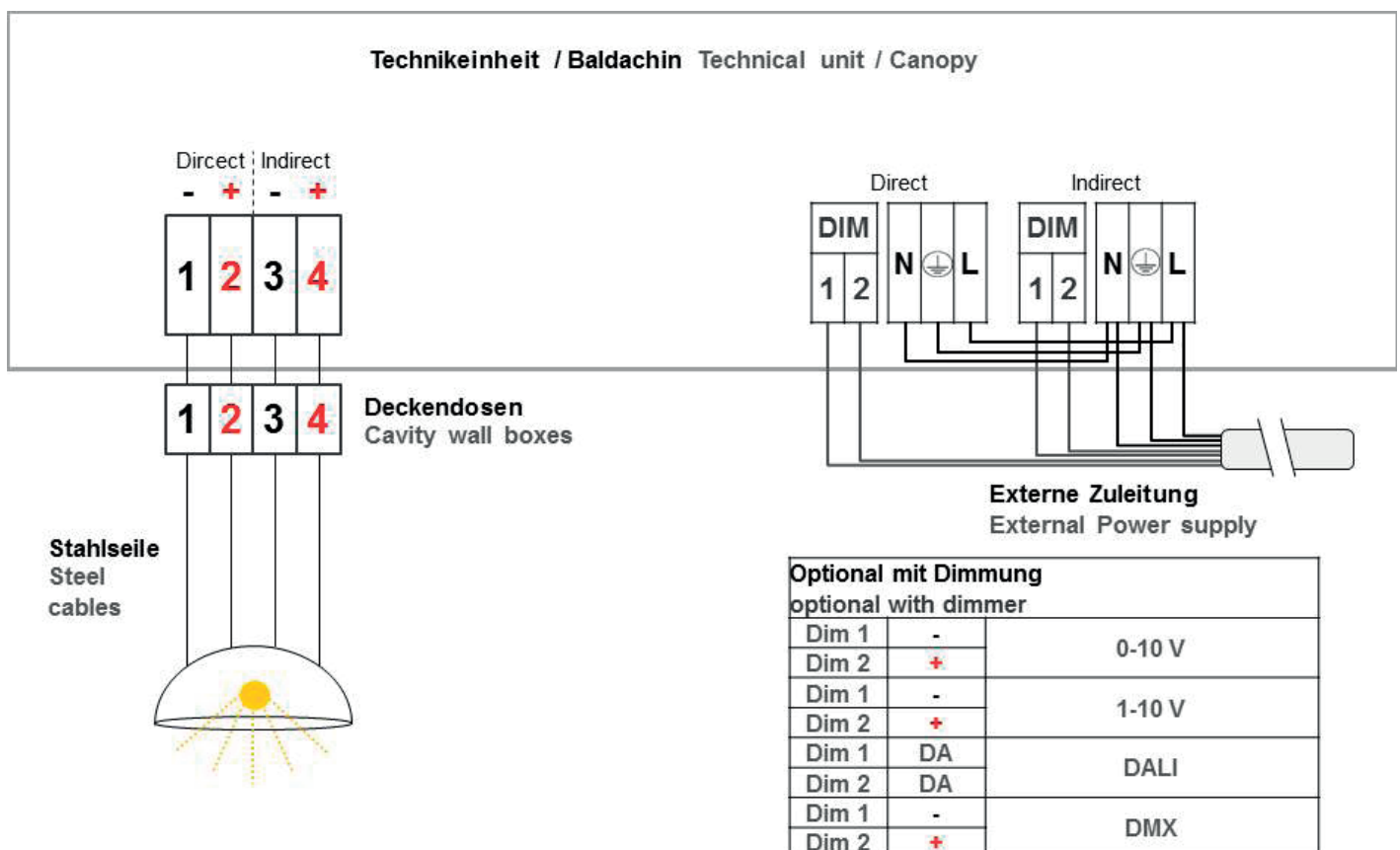
direct/indirect



Anschlusschema 1 x LED weiß direkt
1 x LED weiß indirekt

Wiring diagram 1 x LED white direct
1 x LED white indirect

North America: ETL



We will be glad to assist you with any further questions regarding the assembly of our light fixtures.

Contact: Inter-lux, 3741 Commerce Dr. #306-308, Baltimore, MD 21227. 410-381-1497 www.inter-lux.com

Legal disclaimer: Please make sure to adhere to all safety instructions. Every single assembly step is crucial in order to ensure the safety of the light fixture and the technician. Inter-lux and SATTLER GmbH cannot be held liable for any damages or injuries in case of negligence of safety instructions.