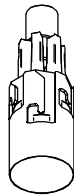


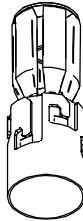


EPITAX (Fixed)

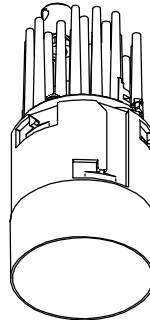
EPITAX 2W



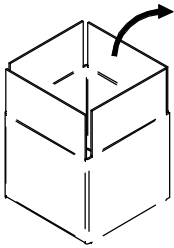
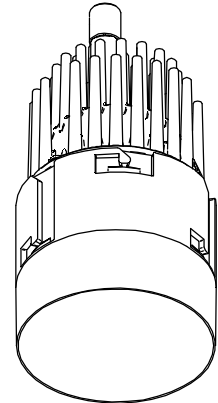
EPITAX 6W



EPITAX 10W



EPITAX 15W



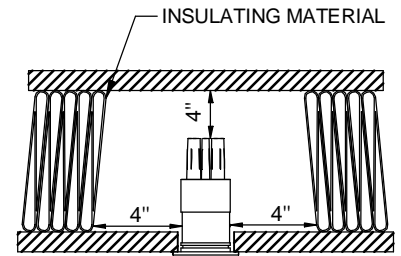
WARNING:
 INSTALL PRODUCT IN ACCORDANCE WITH LOCAL AND NATIONAL ELECTRICAL CODES BY A QUALIFIED ELECTRICIAN

WARNING:
 FAILURE TO COMPLY WITH THE INSTALLATION INSTRUCTIONS MAY RESULT IN DEATH OR SEVERE INJURY.

WARNING:
 READ ALL SAFETY INSTRUCTIONS INCLUDED WITH LUMINAIRE BEFORE INSTALLING LUMINAIRE. SAVE INSTRUCTIONS FOR FUTURE USE.

CAUTION:
 THIS IS AN ELECTRONIC DEVICE. CARE MUST BE TAKEN DURING STORAGE AND HANDLING. STORE IN A CLEAN, COOL AND DRY LOCATION. ELECTROSTATIC DISCHARGE (ESD) CAN HARM THIS PRODUCT. AVOID STATIC DISCHARGE WHILE HANDLING THIS PRODUCT.

CAUTION:
 INTER-LUX IS NOT RESPONSIBLE FOR THE STRUCTURAL INTEGRITY OF THE BUILDING TO SUPPORT THE LUMINAIRE. ADDITIONAL BACKING MAY BE REQUIRED.



Recommended minimum distance from ceiling / insulating material

Do not cover the product with insulating material.

LOCATE AND REVIEW ANY CONSTRUCTION PLANS AND INTER-LUX RECORD DRAWINGS FOR ALL FIXTURE RUNS. IT IS RECOMMENDED TO LOCARE AND LAY OUT ALL COMPONENTS FOR EACH FIXTURE "RUN". A FIXTURE RUN TYPICALLY CONSISTS OF JOINERS, LENGTHS OF HOUSING, AND ENDCAPS. BE SURE TO IDENTIFY ALL CORRECT LENGTHS FOR EACH FIXTURE RUN.

OUTER CASINGS

EPITAX Fixed 2W - 4W Trimless

HOLE: 1.45"

(A)



CODE	TYPE
E98501	Anod. Al

EPITAX Fixed 6W Trimless

HOLE: 1.57"

(A)

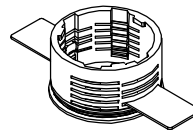


CODE	TYPE
E98502	Anod. Al

EPITAX Fixed 10W Trimless

HOLE: 3"

(B)

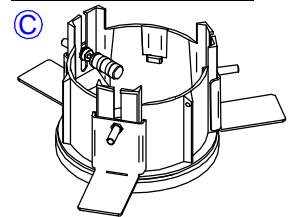


CODE	TYPE
E98499	Anod. Al

EPITAX Fixed 15W Trimless

HOLE: 4 1/8"

(C)



CODE	TYPE
E98500	Anod. Al

EPITAX Fixed 2W - 4W Trim

HOLE: 1.38"

(D)



CODE	TYPE
E98527	White
E98528	Black
E98529	Gold

EPITAX Fixed 6W Trim

HOLE: 1.57"

(D)

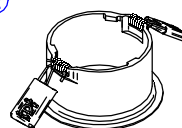


CODE	TYPE
E98530	White
E98531	Black
E98532	Gold

EPITAX Fixed 10W Trim

HOLE: 3"

(E)

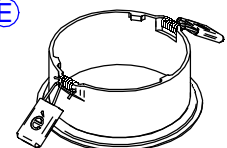


CODE	TYPE
E98533	White
E98534	Black
E98535	Gold

EPITAX Fixed 15W Trim

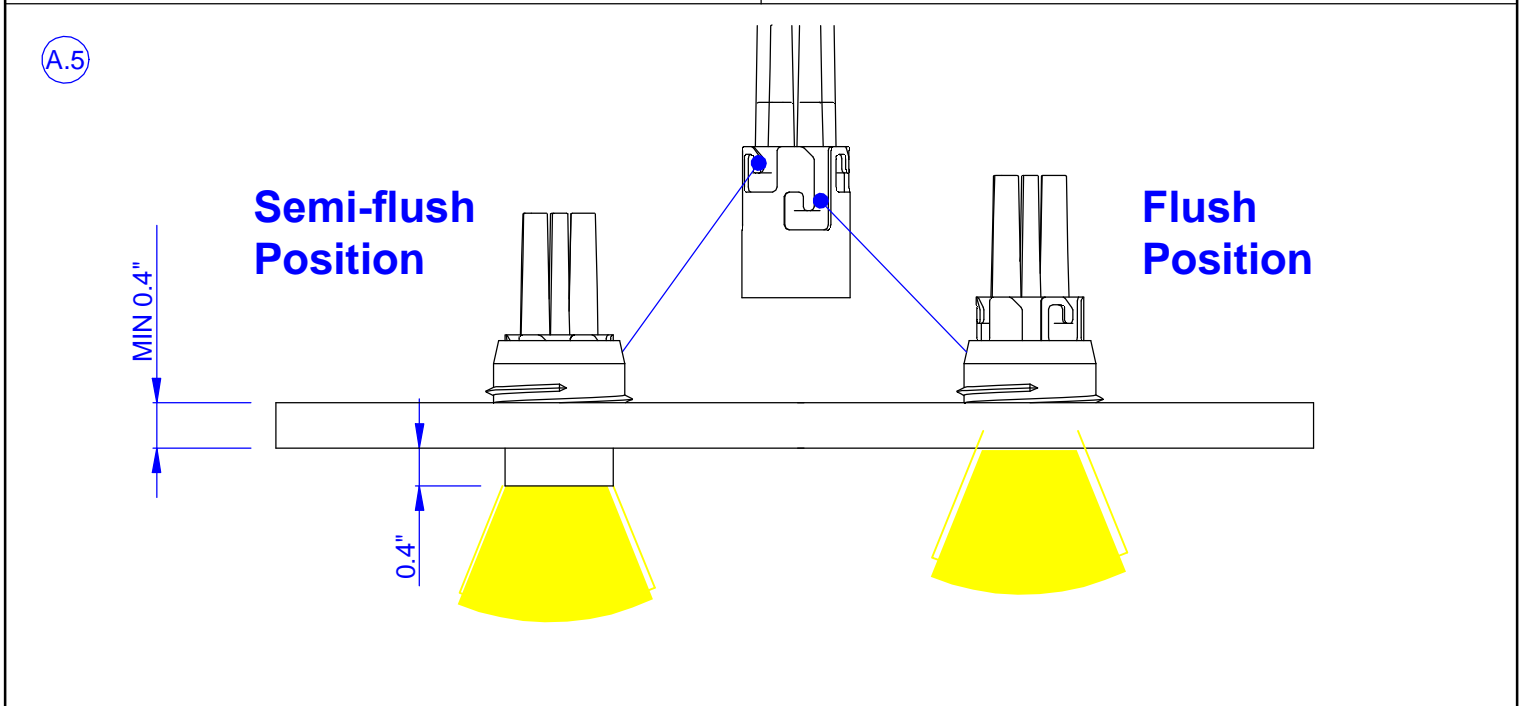
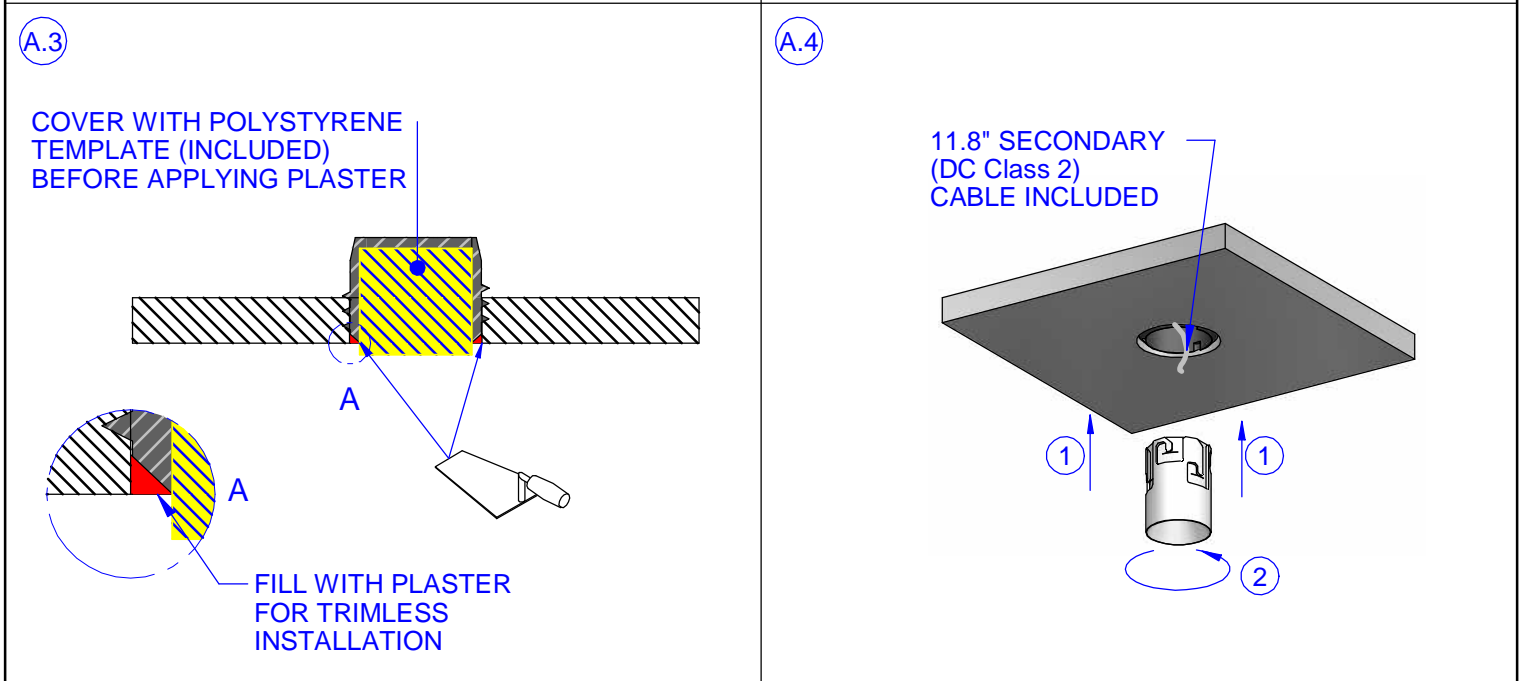
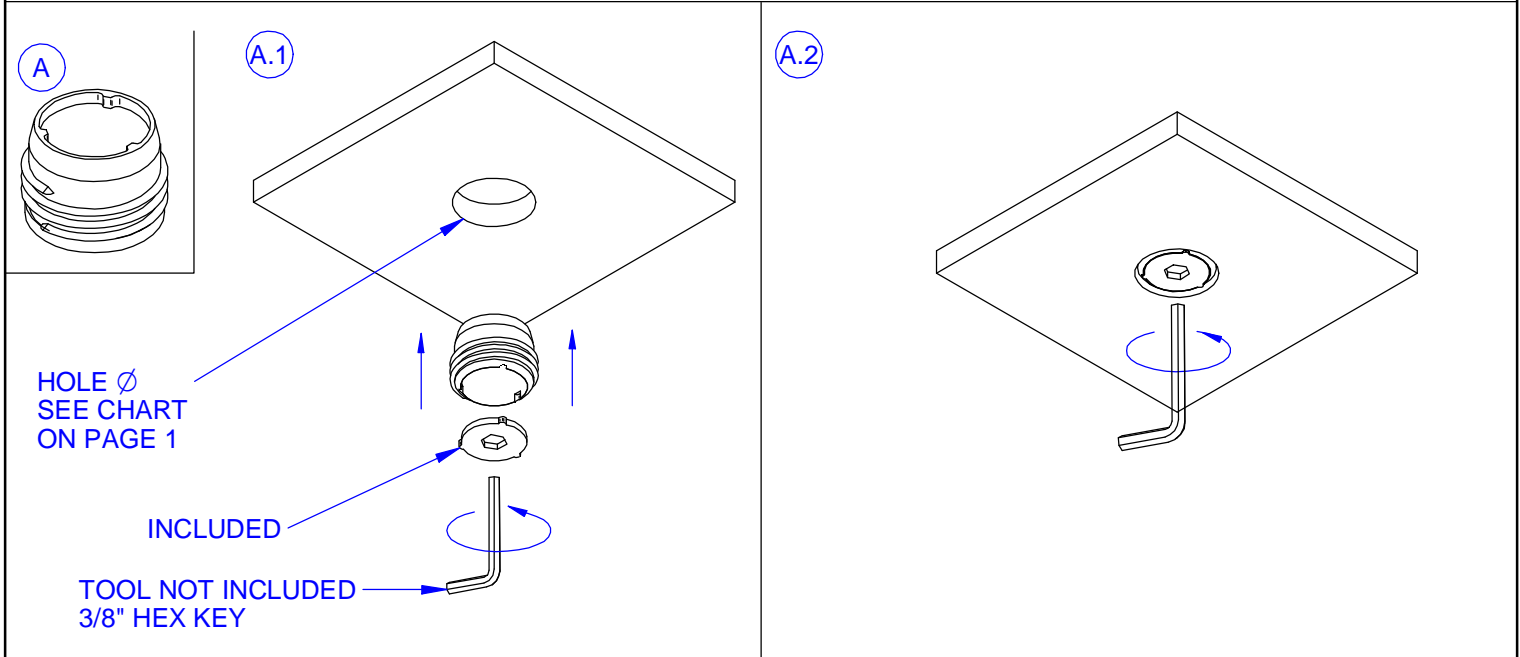
HOLE: 4"

(E)

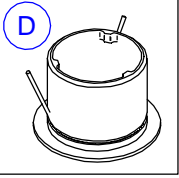


CODE	TYPE
E98536	White
E98537	Black
E98538	Gold

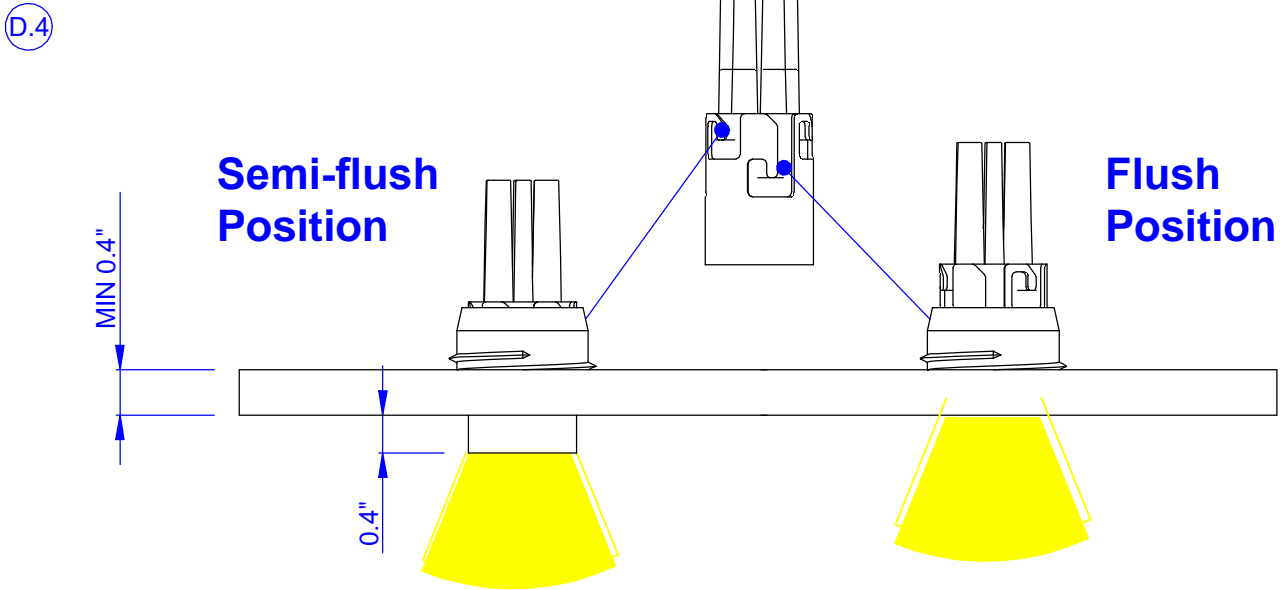
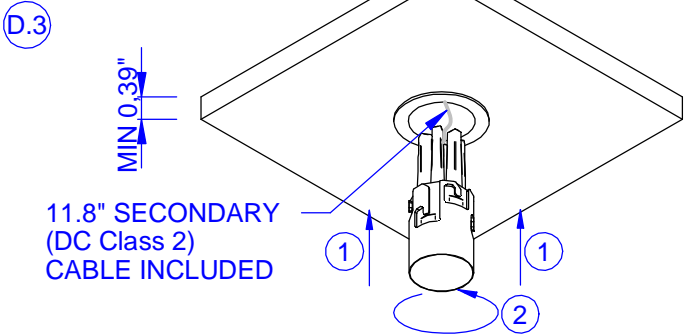
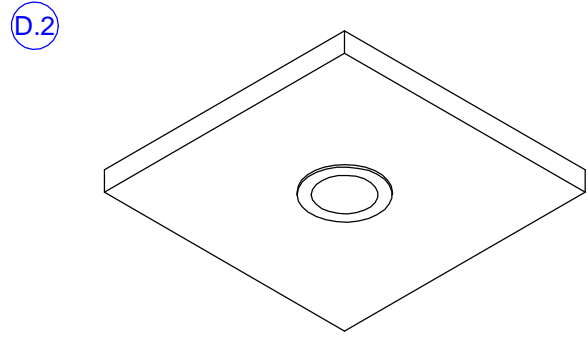
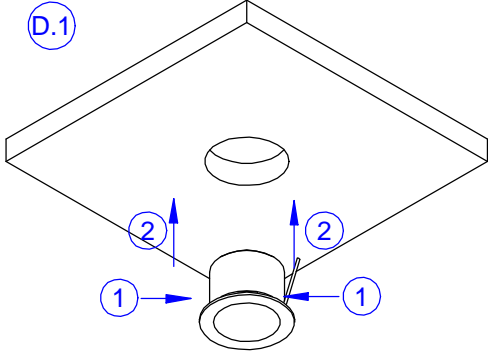
Fixed 2W - 4W - 6W Trimless



Fixed 2W - 4W - 6W Trim



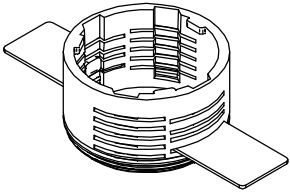
HOLE \varnothing
SEE CHART
ON PAGE 1



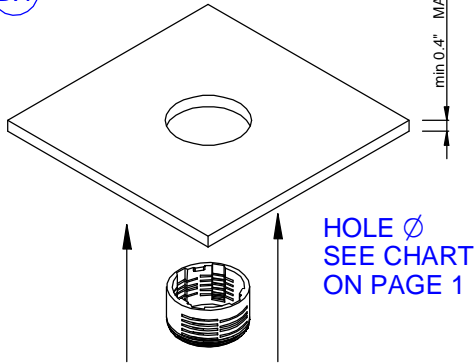
Fixed 10W Trimless

B

E98499

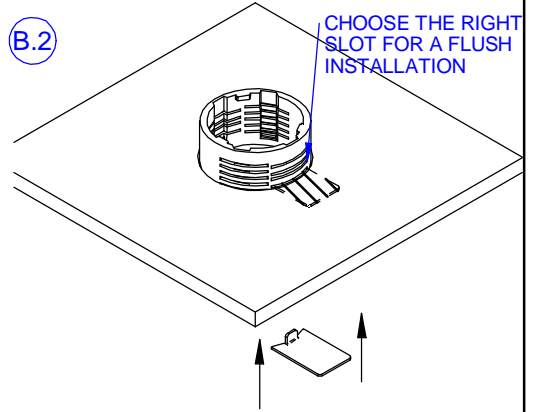


B.1

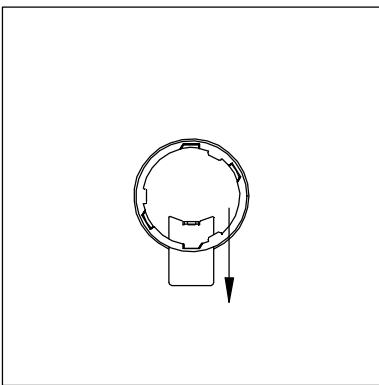


HOLE Ø
SEE CHART
ON PAGE 1

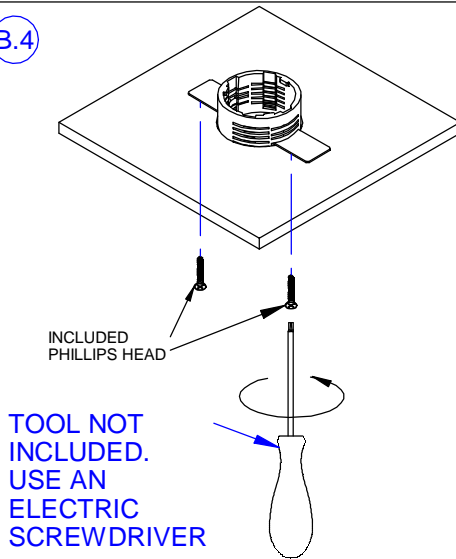
B.2



B.3

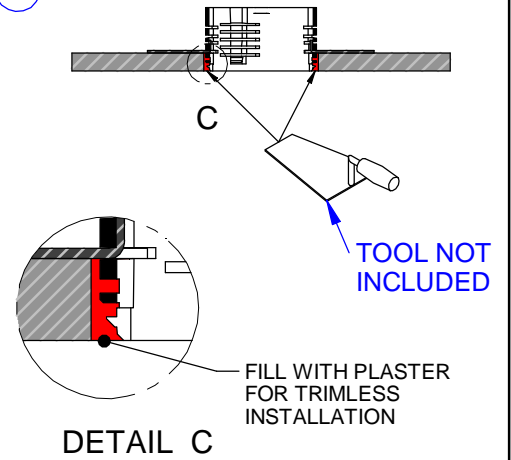


B.4



TOOL NOT INCLUDED.
USE AN
ELECTRIC
SCREWDRIVER

B.5



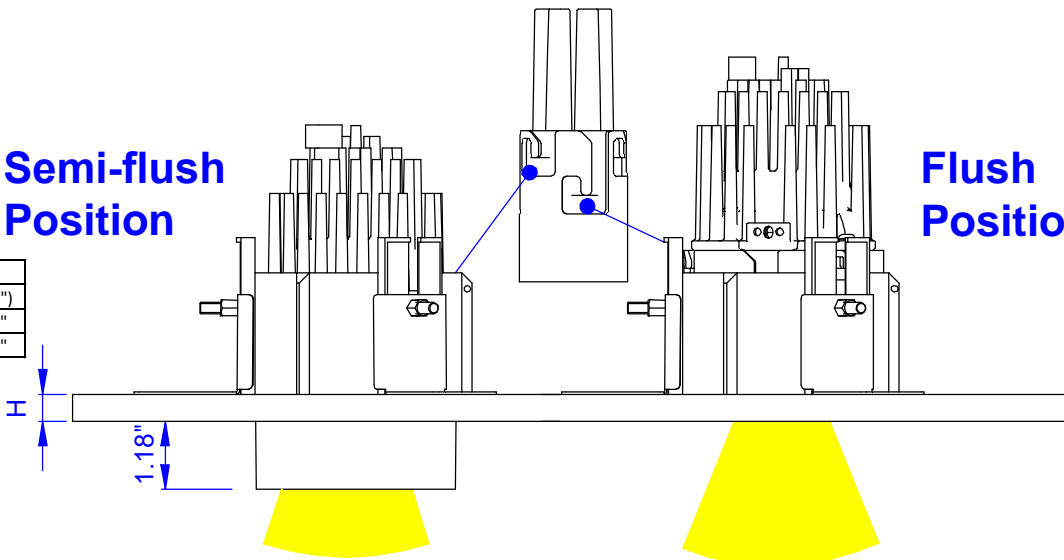
DETAIL C

B.6

Semi-flush
Position

Flush
Position

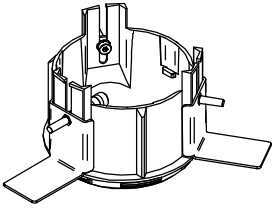
	H	
	MIN(")	MAX(")
E98499	0.39"	1.18"
E98500	0.078"	1.37"



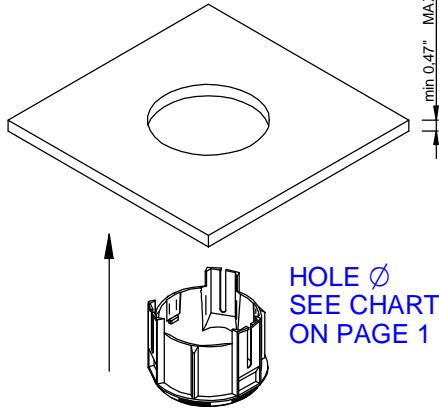
Fixed 15W Trimless

C

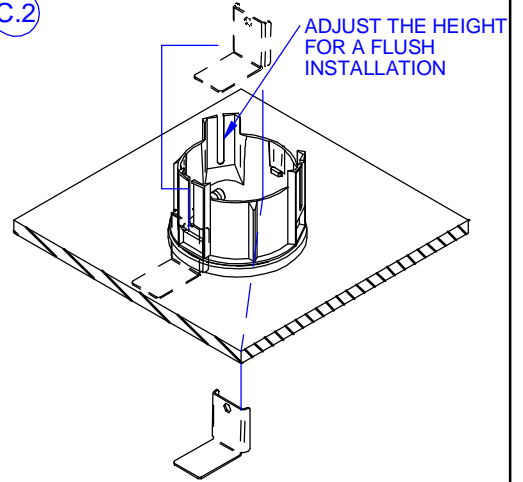
E98500



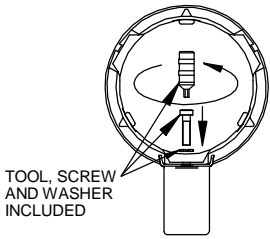
C.1



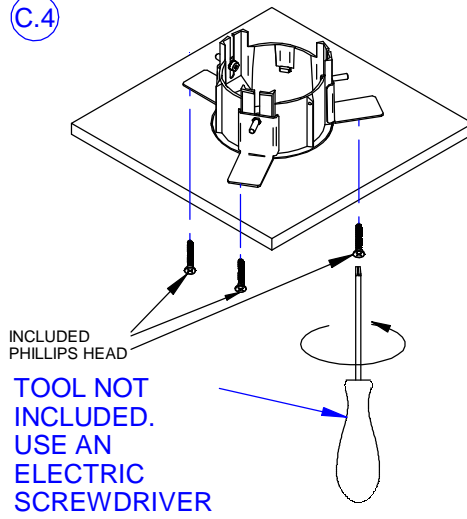
C.2



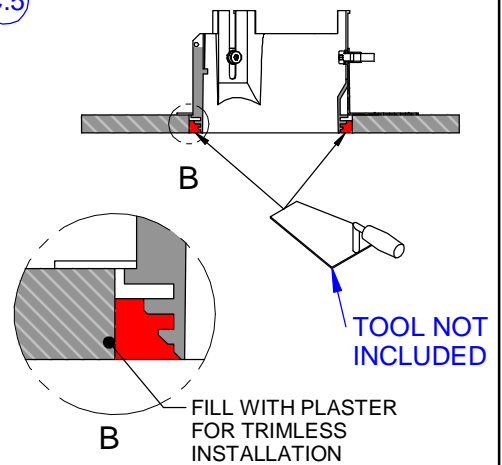
C.3



C.4



C.5

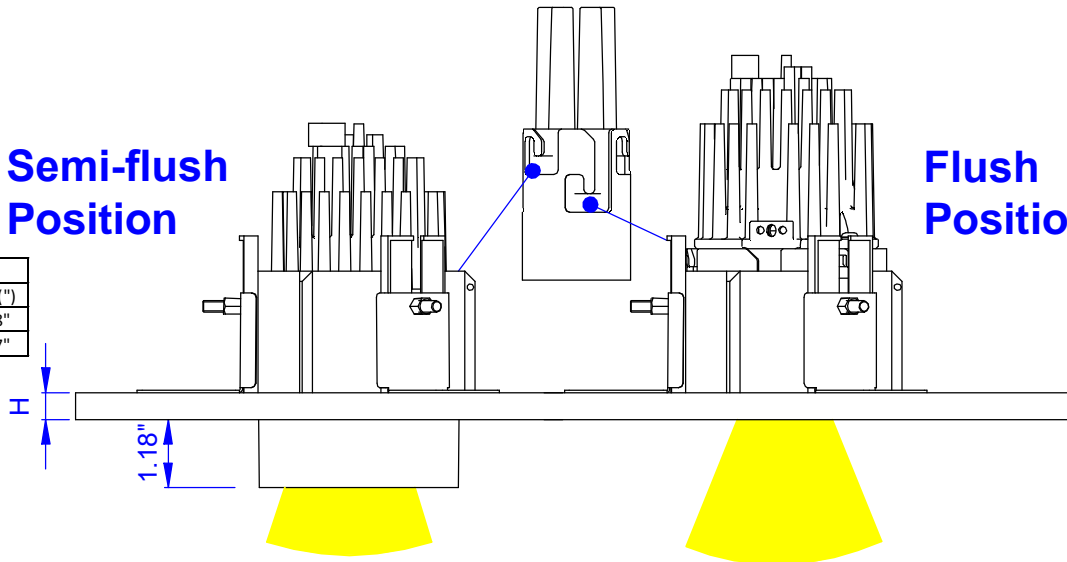


C.6

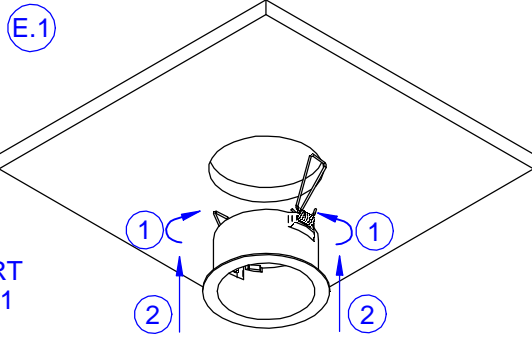
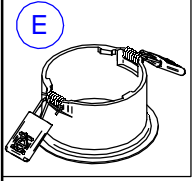
Semi-flush
Position

Flush
Position

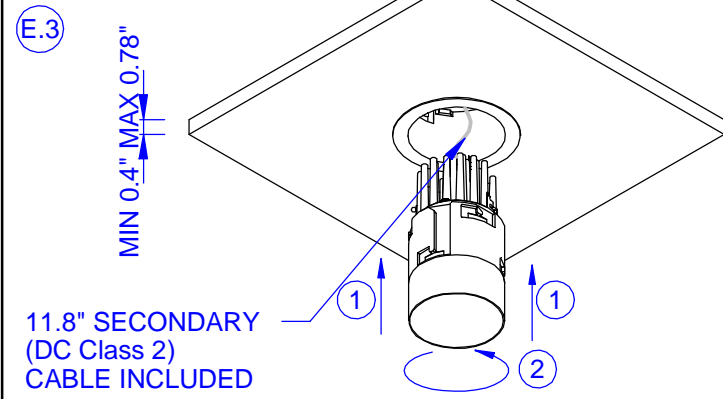
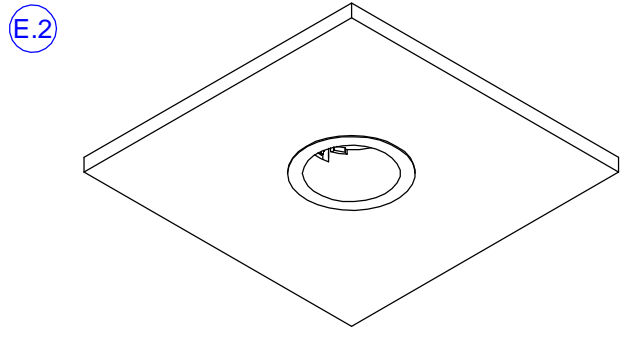
	H	
	MIN(")	MAX(")
E98499	0.39"	1.18"
E98500	0.078"	1.37"



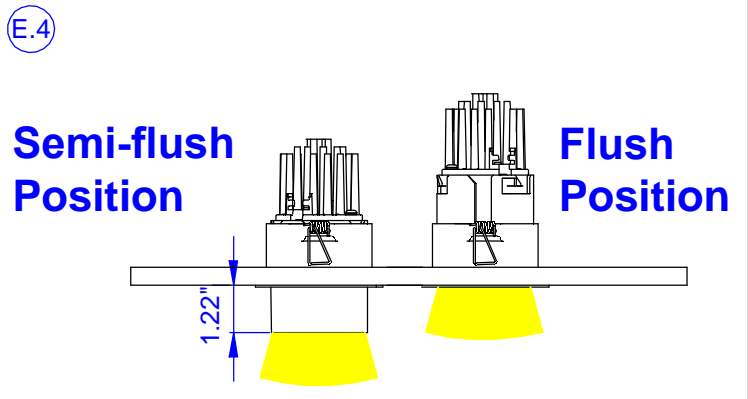
Fixed 10W - 15W Trim



HOLE \varnothing
SEE CHART
ON PAGE 1

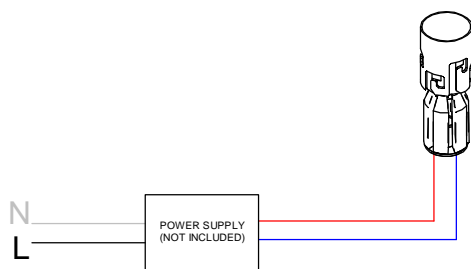


11.8" SECONDARY
(DC Class 2)
CABLE INCLUDED

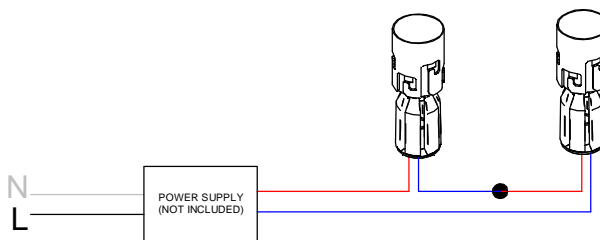


WIRING DIAGRAM

SINGLE FIXTURE



MULTIPLE FIXTURES WIRED IN SERIES (EPITAX 2W, 4W, 6W, 10W)



The number of fixtures on a single output will vary depending on the specific LED driver. Refer to the specific wiring diagram on <https://www.inter-lux.com/wiring-diagrams/> and the Constant Current Fixtures per driver table

Epitax (Fixed) Drive current level for each fixture:

2W fixture driven @ 630mA

4W fixture driven @ 350mA

6W fixture driven @ 500mA

10W fixture driven @ 800mA

15W fixture driven @ 400mA

THIS PRODUCT MUST BE INSTALLED IN ACCORDANCE WITH THE APPLICABLE INSTALLATION CODE BY A PERSON FAMILIAR WITH THE CONSTRUCTION AND OPERATION OF THE PRODUCT AND THE HAZARDS INVOLVED

MOUNTING INSTRUCTIONS

READ ALL OF THESE INSTRUCTIONS BEFORE INSTALLING FIXTURES

· CAUTION: USE ONLY WITH CLASS 2 POWER UNIT

- Keep all of the instructions for future reference
- Turn off power before installing fixture
- Installation is to be performed by a qualified electrician only
- All installations must conform to the National Electrical Code as well as all local jurisdictional codes and regulations
- Any modification of the luminaire will void any and all written or implied warranties
- The manufacture accepts no responsibility for damage to persons or property arising through improper use or installation

INSTALLATION SEQUENCE

- Cut the correct size opening in the ceiling
- Mount remote driver in accessible well ventilated space
- Ensure power is off before connecting driver to line voltage
- Follow the illustrated instructions for the various Epitax models
- Connect secondary wiring to fixture wiring
- WARNING - Be sure secondary wiring is connected to driver BEFORE energizing to avoid LED failure
- Energize

Secondary Cable Colours	Pole
Red wire	+
Blue wire	-

Constant Current Fixtures per Driver

mA	W	Max. number of fixtures PER OUTPUT (fixtures wired in series)	Max. total fixtures per ECO30W driver (1x output/driver)	Max. total fixtures per SOLO50W driver (2x outputs/driver)	Max. total fixtures per SOLO100W driver (4x outputs/driver)
180mA	7.0W	1	1	2	4
200mA	7.5W	1	1	2	4
220mA	0.6W	10	10	20	40
220mA	0.7W	10	10	20	40
220mA	1.9W	5	5	10	20
220mA	8.0W	1	1	2	4
220mA	9.0W	1	1	2	4
250mA	3.0W	3	3	6	12
300mA	12.0W	1	1	2	4
350mA	1.0W	10	10	20	40
350mA	1.5W	10	10	20	40
350mA	3.0W	5	5	10	20
350mA	4.0W	3	3	6	12
350mA	4.2W	3	3	6	12
350mA	12.0W	1	1	2	4
350mA	13.0W	1	1	2	4
400mA	15.0W	1	1	2	4
450mA	16.0W	1	1	2	4
500mA	1.5W	10	10	20	40
500mA	4.5W	4	4	8	16
500mA	6.0W	3	3	6	12
500mA	6.5W	3	3	4	8
500mA	9.0W	2	2	4	8
500mA	13.0W	1	1	2	4
500mA	14.0W	1	1	2	4
500mA	18.0W	1	1	2	4
500mA	20.0W	1	1	2	4
570mA	63.0W				1
580mA	20.0W	1	1	2	4
630mA	2.0W	10	10	16	32
630mA	2.0W	10	10	16	32
630mA	4.0W	6	6	10	20
630mA	6.0W	3	3	6	12
630mA	7.0W	3	3	4	8
630mA	7.2W	3	3	4	8
630mA	7.5W	3	3	4	8
630mA	8.0W	3	3	4	8
630mA	9.0W	2	2	4	8
630mA	12.0W	2	2	2	4
630mA	18.0W	1	1	2	4
630mA	23.0W	1	1	1	3
630mA	24.0W	1	1	1	3
660mA	45.0W				1
700mA	2.0W	10	10	16	32
700mA	6.3W	3	3	6	12
700mA	6.5W	3	3	4	8
700mA	8.0W	3	3	4	8
700mA	13.0W	1	1	2	4
700mA	21.0W	1	1	1	3
700mA	24.0W	1	1	1	3
700mA	25.0W			1	3
800mA	10.0W	2	2	2	4
840mA	30.0W			1	2
850mA	60.0W				1
900mA	33.0W			1	2
900mA	40.0W			1	2
900mA	42.0W			1	2
950mA	34.0W			1	2
950mA	35.0W			1	2
1050mA	48.0W				1
1250mA	45.0W				1
1250mA	46.0W				1
1300mA	46.0W				1
1850mA	54.0W				1

Consult factory for any combination not listed above.