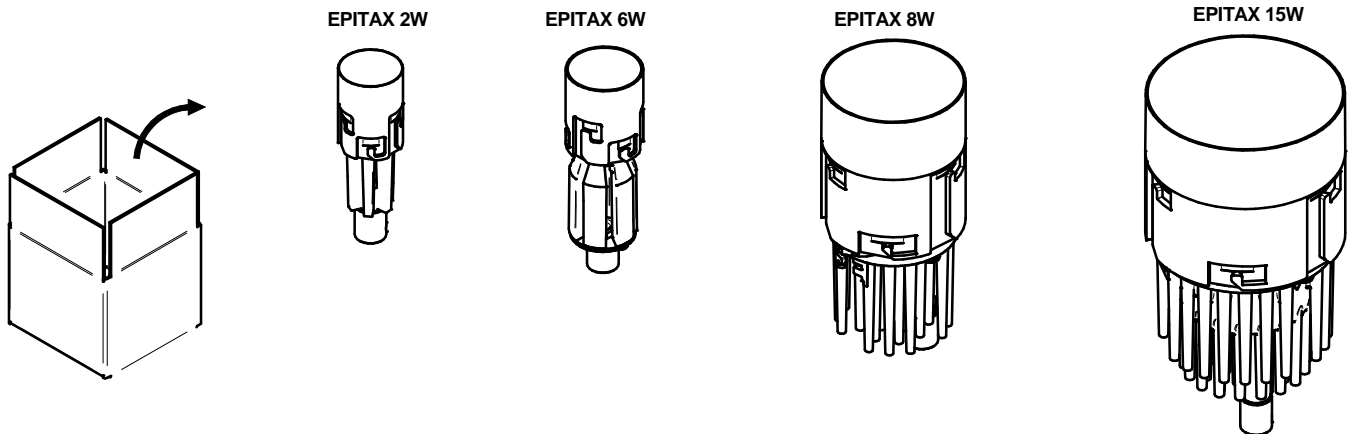


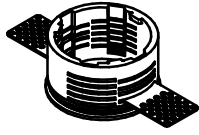
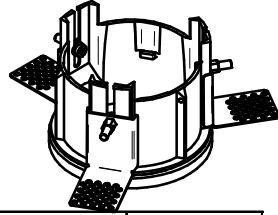






EPITAX

EPITAX 2W Ⓐ		EPITAX 6W Ⓐ		EPITAX 8W Ⓑ		EPITAX 15W Ⓑ	
HOLE: 1,45"		HOLE: 1,57"		HOLE: 2,87"/2,99"		HOLE: 4,13"	
							
CODE	TYPE	CODE	TYPE	CODE	TYPE	CODE	TYPE
E98501	Anod. Al	E98502	Anod. Al	E98499	Anod. Al	E98500	Anod. Al
EPITAX 2W Ⓒ		EPITAX 6W Ⓒ		EPITAX 8W Ⓓ		EPITAX 15W Ⓓ	
HOLE: 1,37"		HOLE: 1,57"		HOLE: 2,99"		HOLE: 4,01"	
							
CODE	TYPE	CODE	TYPE	CODE	TYPE	CODE	TYPE
E98527	White	E98530	White	E98533	White	E98536	White
E98528	Black	E98531	Black	E98534	Black	E98537	Black
E98529	Gold	E98532	Gold	E98535	Gold	E98538	Gold

THIS PRODUCT MUST BE INSTALLED IN ACCORDANCE WITH THE APPLICABLE INSTALLATION CODE BY A PERSON FAMILIAR WITH THE CONSTRUCTION AND OPERATION OF THE PRODUCT AND THE HAZARDS INVOLVED
MOUNTING INSTRUCTIONS

READ ALL OF THESE INSTRUCTIONS BEFORE INSTALLING FIXTURES

• CAUTION: USE ONLY WITH CLASS 2 POWER UNIT

- Keep all of the instructions for future reference
- Turn off power before installing fixture
- Installation is to be performed by a qualified electrician only
- All installations must conform to the National Electrical Code as well as all local jurisdictional codes and regulations
- Any modification of the luminaire will void any and all written or implied warranties
- The manufacture accepts no responsibility for damage to persons or property arising through improper use or installation

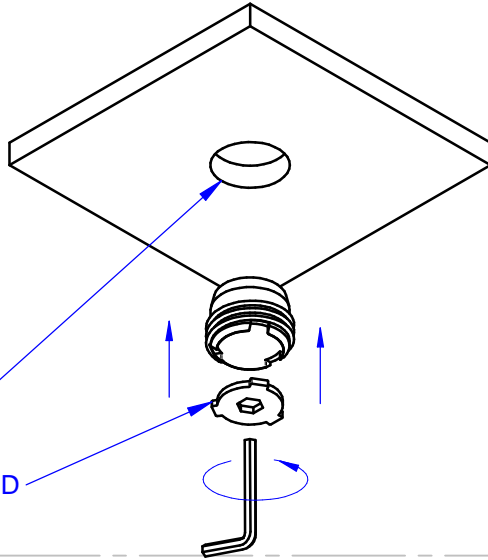
INSTALLATION SEQUENCE

- Cut the correct size opening in the ceiling
- Mount remote driver in accessible well ventilated space
- Ensure power is off before connecting driver to line voltage
- Follow the illustrated instructions for the various Epitax models
- Connect secondary wiring to fixture wiring
- WARNING - Be sure secondary wiring is connected to driver BEFORE energizing to avoid LED failure
- Energize

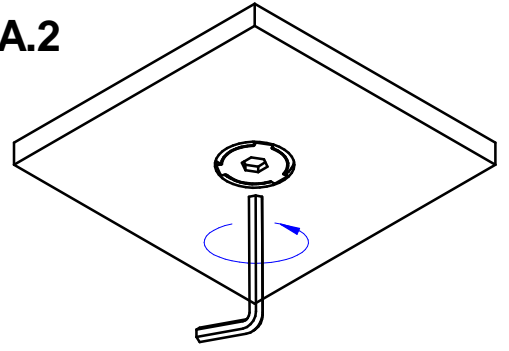
A



A.1

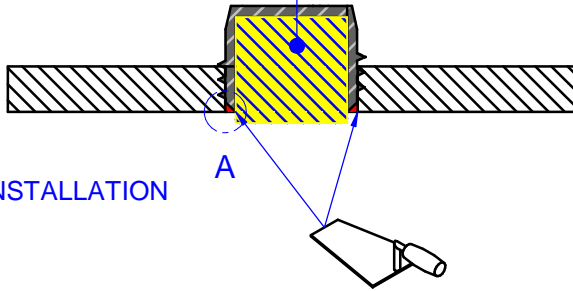
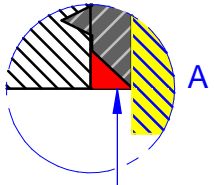


A.2



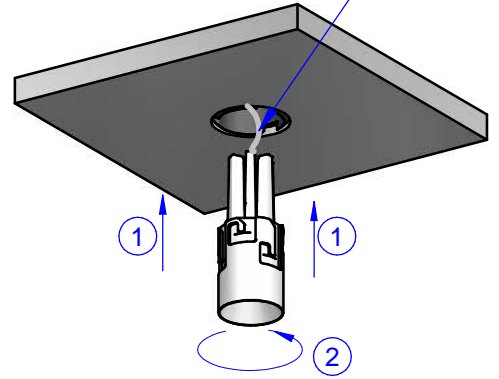
A.3

PUT IN THE POLYSTYRENE BEFORE PLASTER



A.4

11,81" SECONDARY
(DC Class 2)
CABLE INCLUDED

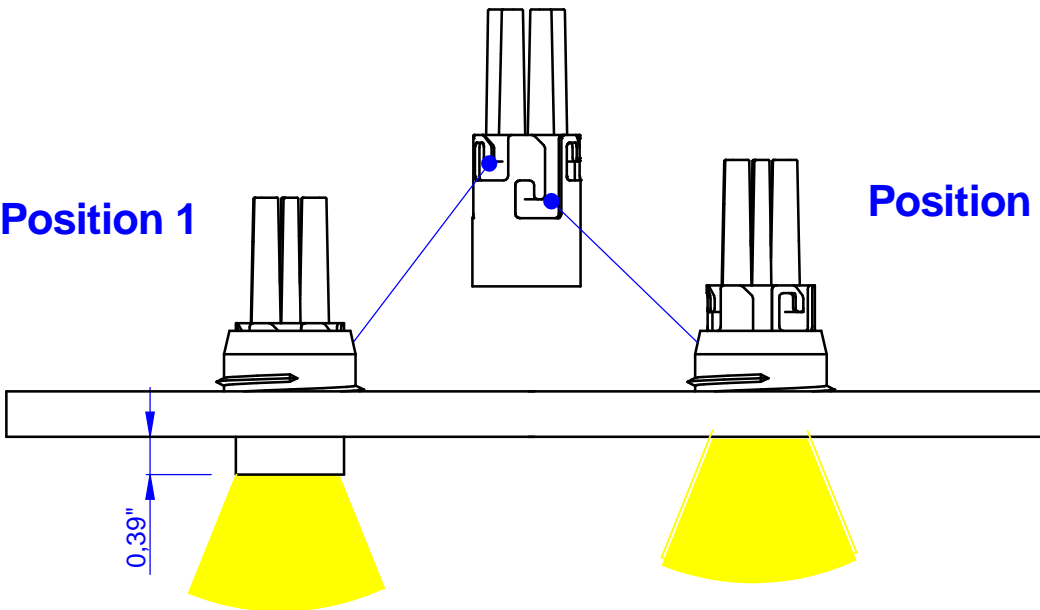


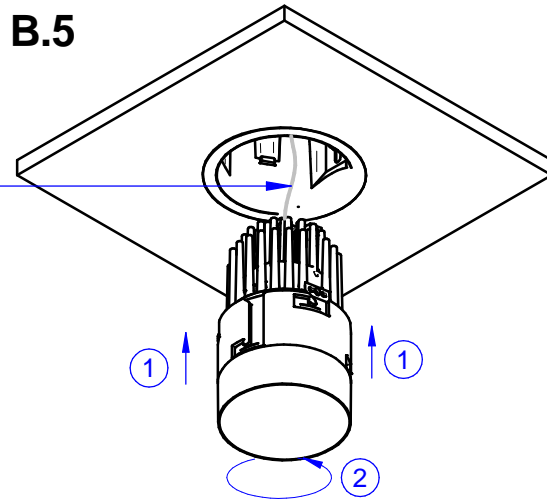
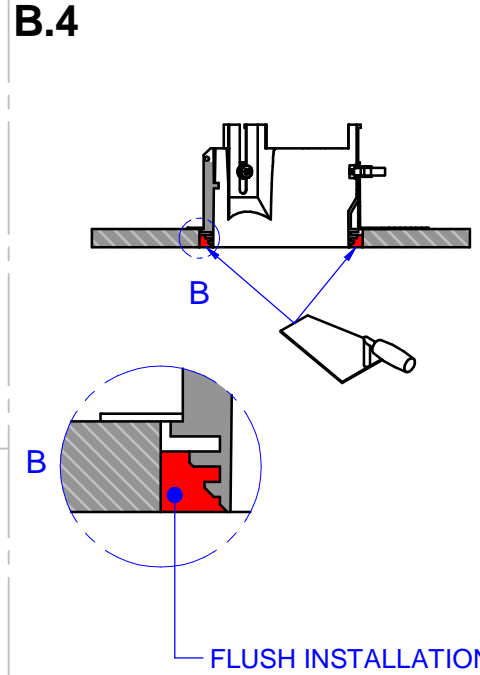
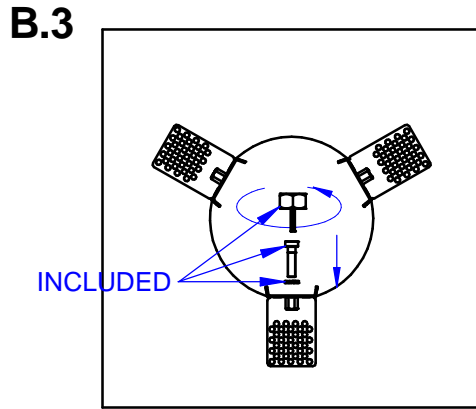
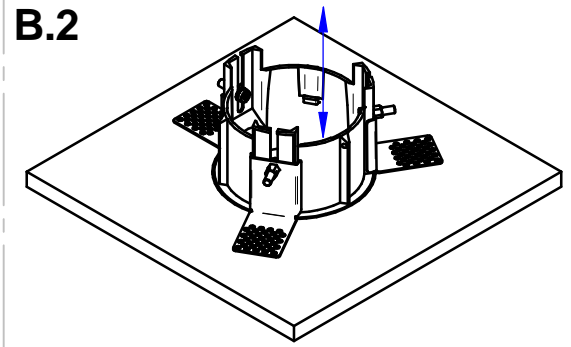
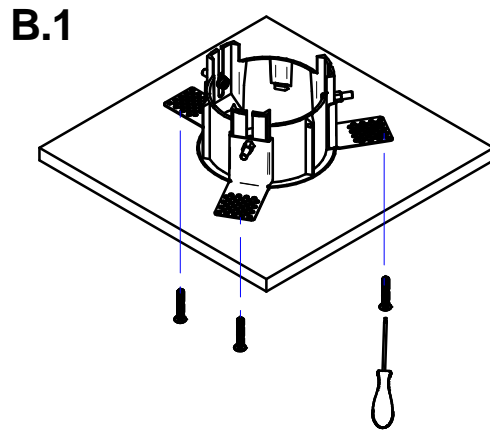
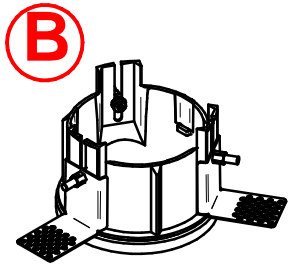
Position 1

Position 2

MIN 0,39"

0,39"



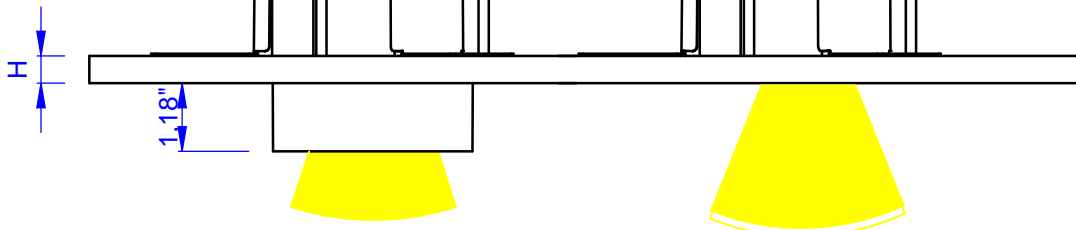


11,81" SECONDARY
(DC Class 2)
CABLE INCLUDED

Position 1

Position 2

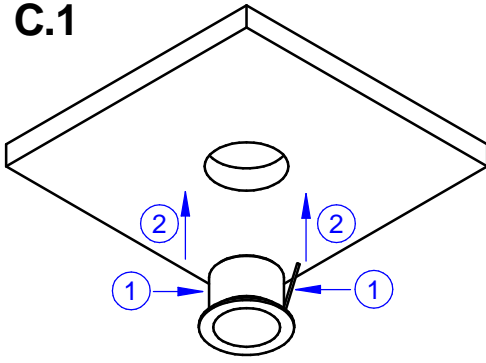
	H	
	MIN(")	MAX(")
E98499	0,39"	1,18"
E98500	0,078"	1,37"



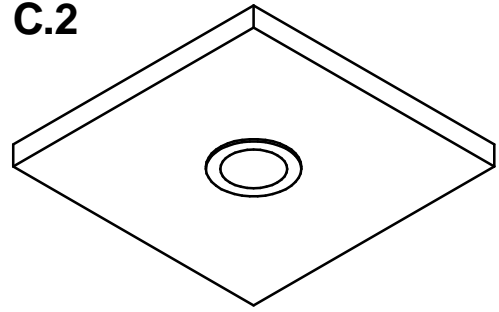
C



C.1

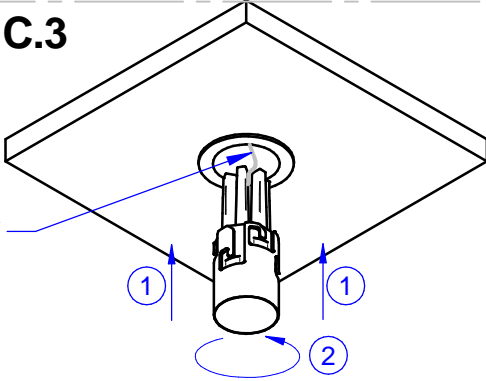


C.2



MIN 0,39"

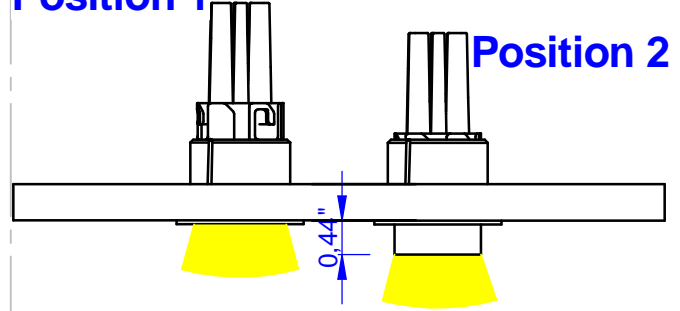
C.3



11,81" SECONDARY
(DC Class 2)
CABLE INCLUDED

Position 1

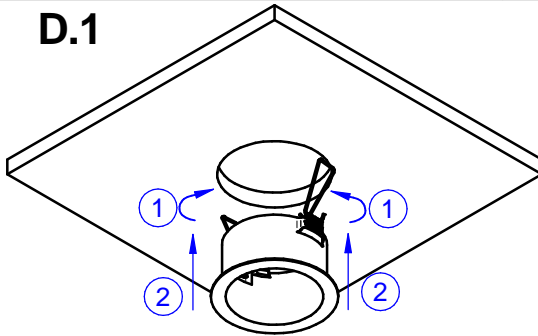
Position 2



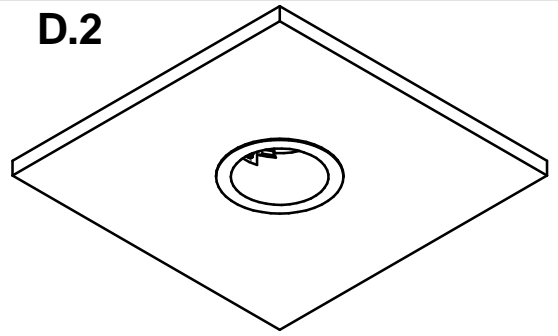
D



D.1

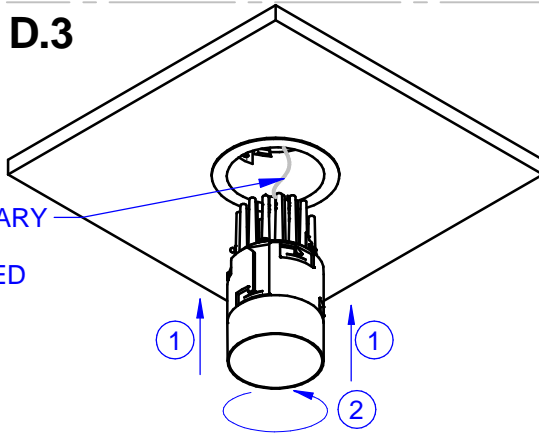


D.2



MIN 0,39" MAX 0,78"

D.3



11,81" SECONDARY
(DC Class 2)
CABLE INCLUDED

Position 1

Position 2

