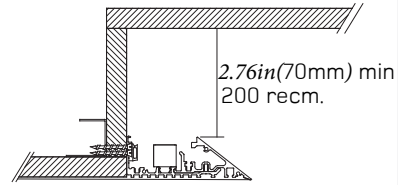
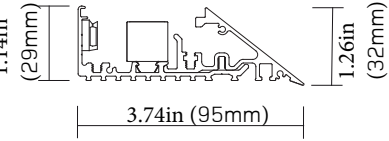


### installation instructions

#### mini Edgeless cove :

#### MEC20L



⚠ Ensure all mains power is switched off at source.

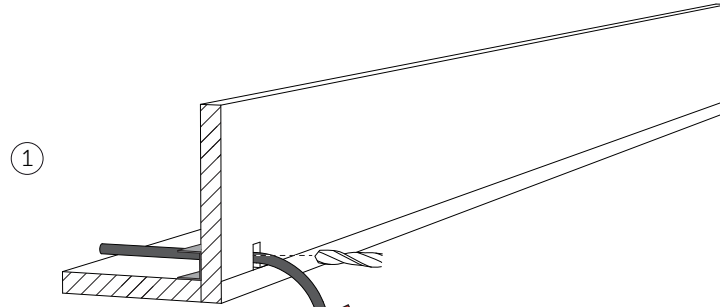
⚠ Do not attempt installation or maintenance on electrically live product.

⚠ Installation and maintenance to be carried out only by a qualified electrician or electrical contractor.



### Installation for single module

1. Construct a false ceiling of 4-12in (100-300mm) (if applicable).

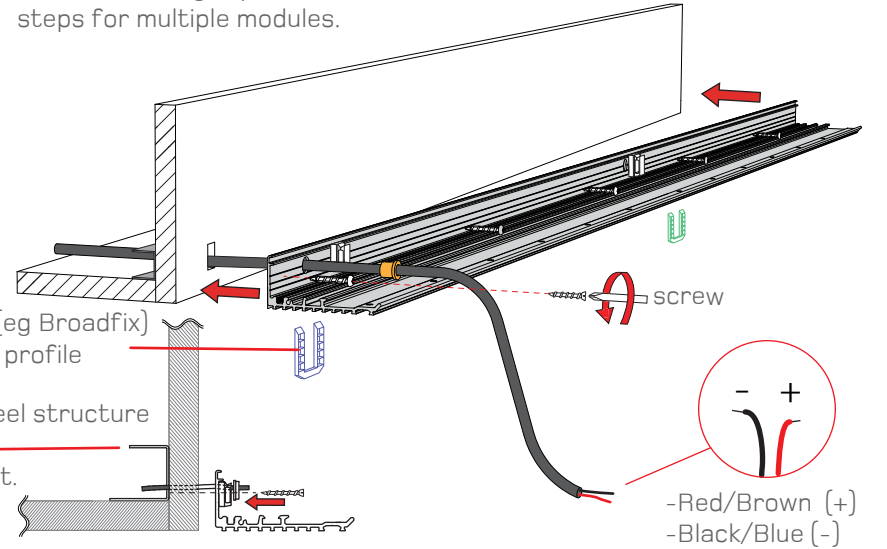


① Drill 0.4in (10mm) hole to feed 2 core 0.06-0.10in (1.5-2.5mm) incoming driver power cable (not free issued). Expose 1-2in (30-50mm) of cable from wall.

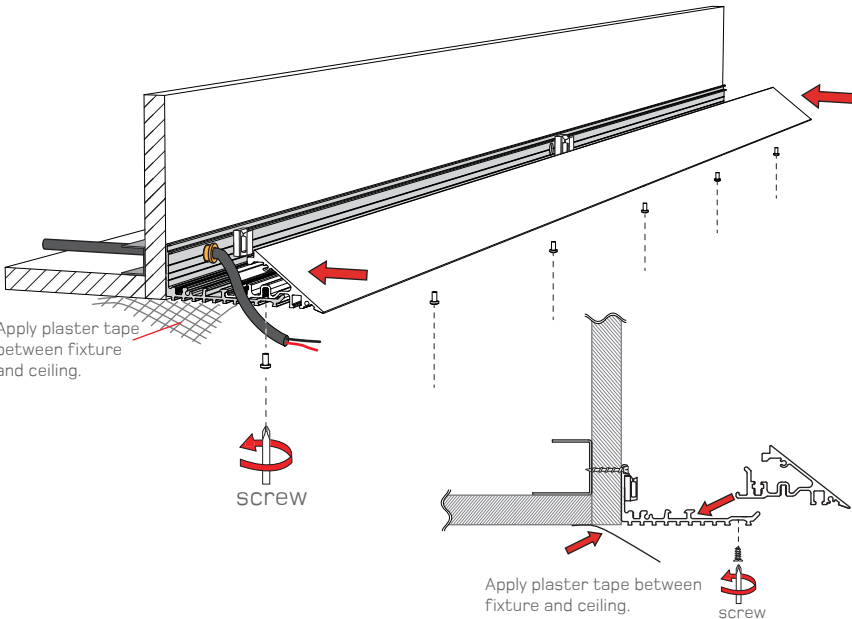
If necessary use Plastic Shims (eg Broadfix) for easy levelling of Wall Mount profile

We suggest a 'C' channel steel structure (or 2x2 wooden/plywood) is used for additional support.

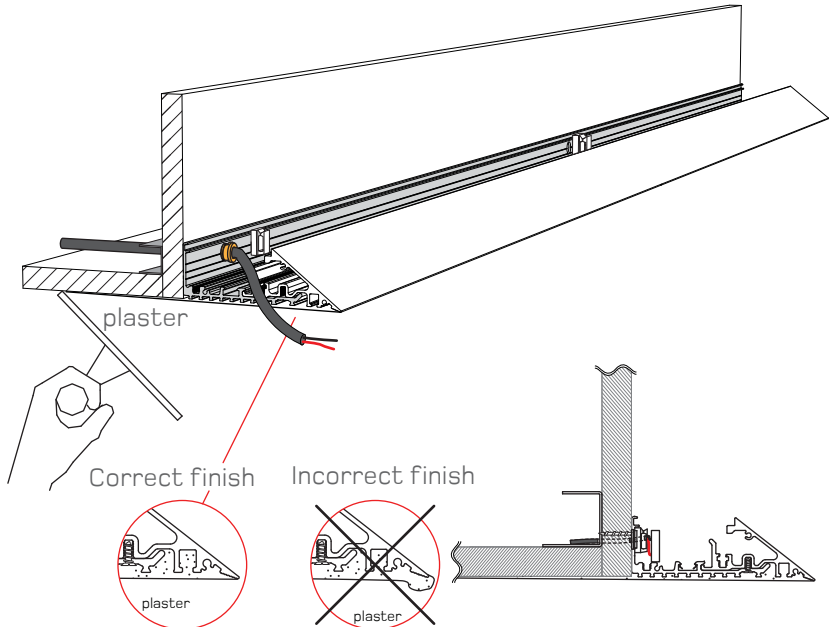
2. Align wall mount profile to wall and 0.4in (10mm) cut out hole. Mark on profile where the hole in the wall meets the profile and drill a hole in the profile so that they align. Ensure profile is straight and flush before securing in place. See alternative steps for multiple modules.



3. Place nose profile over wall mounting profile. Ensure correct alignment and screw profiles together using M3 x 6.0mm screws provided. See alternative steps for multiple modules.

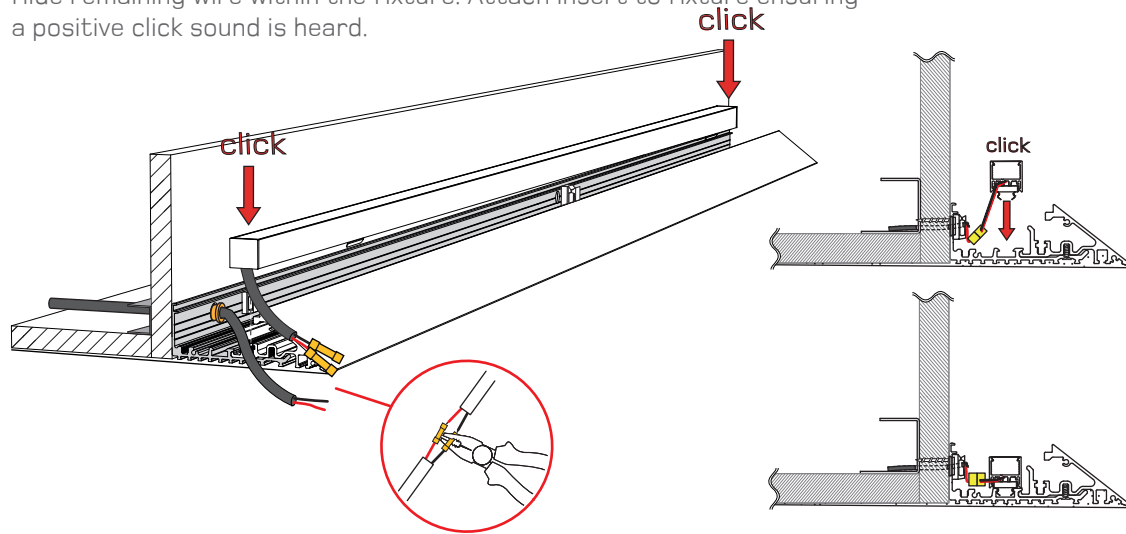


4. Align insert to fixture so that it is flush. Apply fibrous plastering tape between wall and wall mounting profile (not free issued). Skim plaster the fixture to specification below.



### Installation for single module

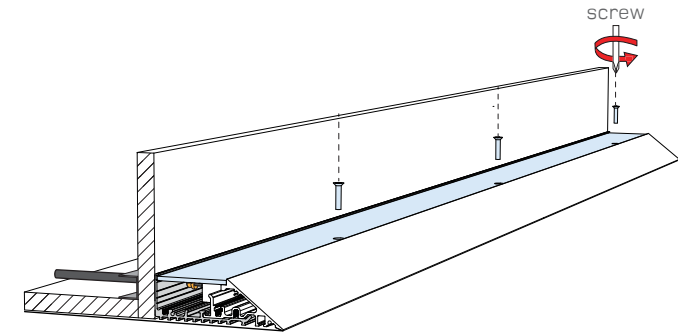
5. Connect power from driver with the splices from the insert. Hide remaining wire within the fixture. Attach insert to fixture ensuring a positive click sound is heard.



### Installation for dust cover

Note - Dust cover (optional) should be attached before plaster skim is applied

1. Insert rear edge of the dust cover into the top slot on the wall mount profile. Rest the other edge of the cover on to the nose profile. Screw down the cover with the transparent screws provided.



### Installation for multiple modules

1. Follow steps 1 and 2 from single module installation.

2. Once the first section of the wall profile is secured align and secure the following wall profiles. Ensure that each profile are flush and straight as possible. Use Joining bar to ensure wall profile alignment.

3. Follow step 2 from single module installation.

Align multiple fixtures together. Loosen grub screws on the joint connector. Slide connector(s) across until it is equally spaced between the two fixtures. Ensure the 2 fixtures are securely joined together before fixing to wall profile.

