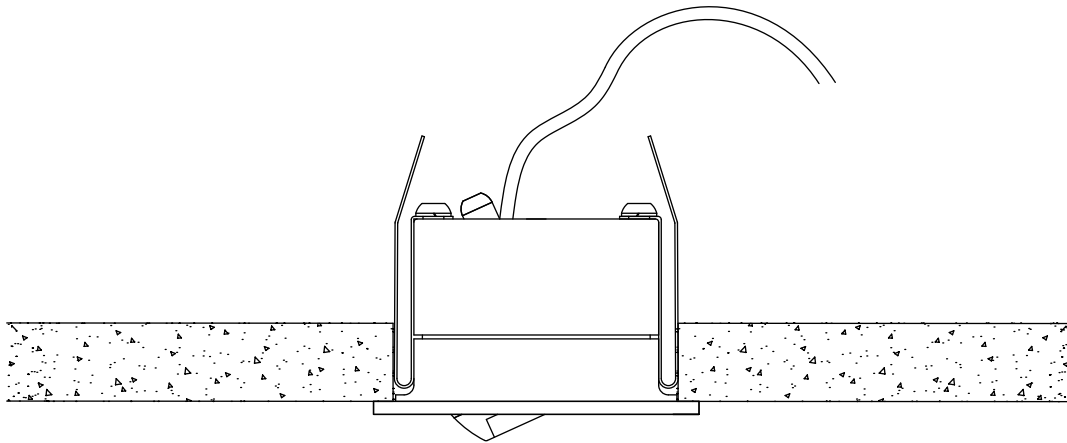


Iris

Installation and Maintenance Instructions



IMPORTANT: All wiring connections must be made before switching on



MSL Star Osion Square 2.9V_F 2W @ 700mA



Class III - Extra-low voltage

IP66 Dust tight and protected against powerful jets of water.



Suitable for Exterior use



Please retain these instructions for future reference



European Conformity



This product should not be disposed of in your general waste

SUPPLY

Installation must be carried out by a qualified electrician in accordance with BS 7671:2008 Wiring Regulations. 230/240V AC 50/60Hz mains supply to a suitable SELV LED Driver.

Site conditions: LED equipment is more susceptible to static damage and overvoltage than previous technology. Before handling or connecting to the mains supply ensure that all MSL products are protected from static discharge and that the mains supply is to regulation. (230V +10 -6%)

Mains cables must be double insulated, strain relieved and separated from E.L.V output cables.

This unit requires a constant current driver. 700mA Max.

Observe polarity:
Positive (+) is marked as RED.
Incorrect supply or reverse polarity can cause irreparable damage.

All connections must be made before switching on mains.
 If the supply is energised prior to making the connections to the fitting then the resulting surge will damage the LED.

Multiple LEDs should be wired in series, refer to driver instructions for minimum/maximum load.

All lighting equipment is delicate and easily damaged through misuse or inappropriate installation (mechanical or electrical). Repairs and replacements may cause delays and will be chargeable. Contact MSL for support if required. For full warranty terms & conditions please visit our website.

The IP rating stated is applicable only when the fitting has been installed as per these instructions.

Ensure Supply Driver and connectors are housed indoors OR in a suitable IP rated enclosure.

Any additional connections made must be waterproofed.

The light source contained in this luminaire shall only be replaced by the manufacturer or his service agent or a similar qualified person.

WARNING: Do not look at exposed LED lamps in operation. Eye injury can result.

FIXING

Check that the mounting surface is suitable for the installation of this fitting.

A 44mm diameter cutout is required for mounting.

Step 1 Make mains connections to SELV LED driver and extra low voltage connections to the fitting.

Step 2 Hold in the spring wings and push into the cutout. Once released the springs will hold the fitting in place.

For locking ring version;
 Insert the fitting into the cut-out and lock in place with the locking ring from the rear.

Step 3 Adjust fitting orientation and tilt as required. To do this loosen the M2 screws using a 1.5mm Allen key. Re-tighten screws once adjustment has been completed.

After opening the sealed portion of the luminaire for any reason, MSL recommends running the fitting for 15 minutes with the lid open to expel moisture before closing it up. This will prevent condensation on the lens and protect the fitting from corrosion.

Ensure that the installation of this fitting does not compromise any fire barrier offered by your ceiling. Intumescent downlighter fire hoods should be used to maintain the integrity of the barrier in the event of a fire.

Cleaning:

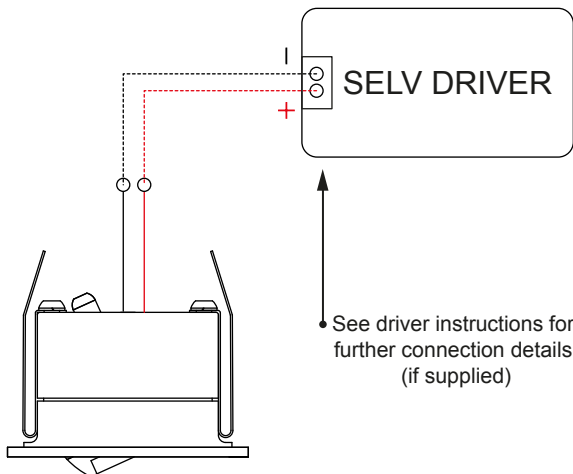
Fully isolate the fitting and allow to cool.

Clean the fitting with a slightly damp lint free cloth from a mild solution of soap and water. The fitting must be completely dry before reconnecting power.

Incompatible or abrasive chemicals can damage the fitting, contact MSL for advice if required.

①

WIRING SCHEMATIC

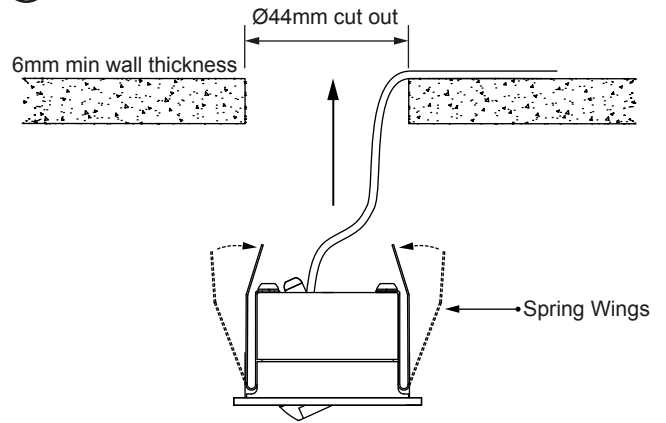


Fittings must be wired in series

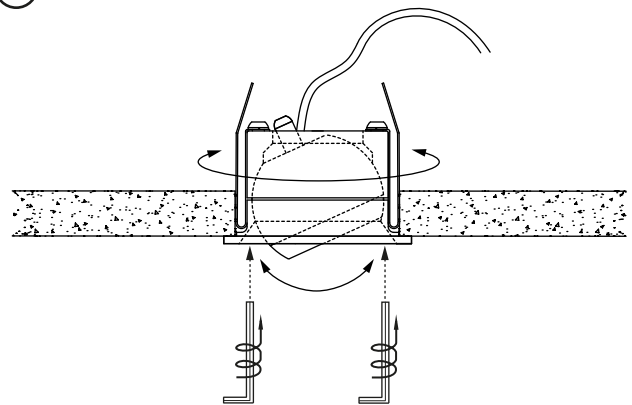
+ — Wiring by MSL

+ - - - - Wiring by others
0.75mm² MAX.
Recommended

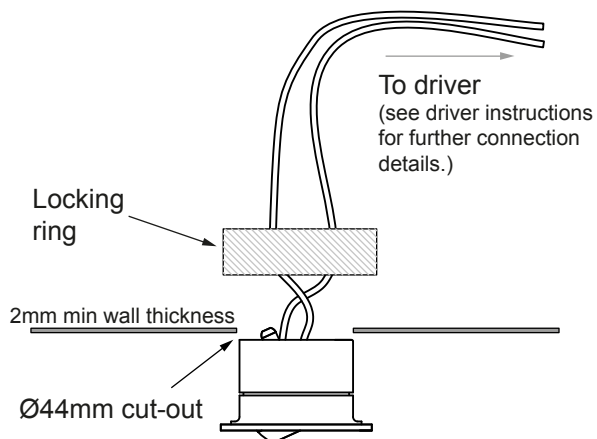
②



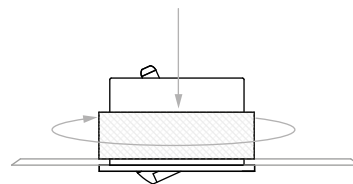
③



② Locking ring version



Screw the locking plate down to secure the fitting in position.



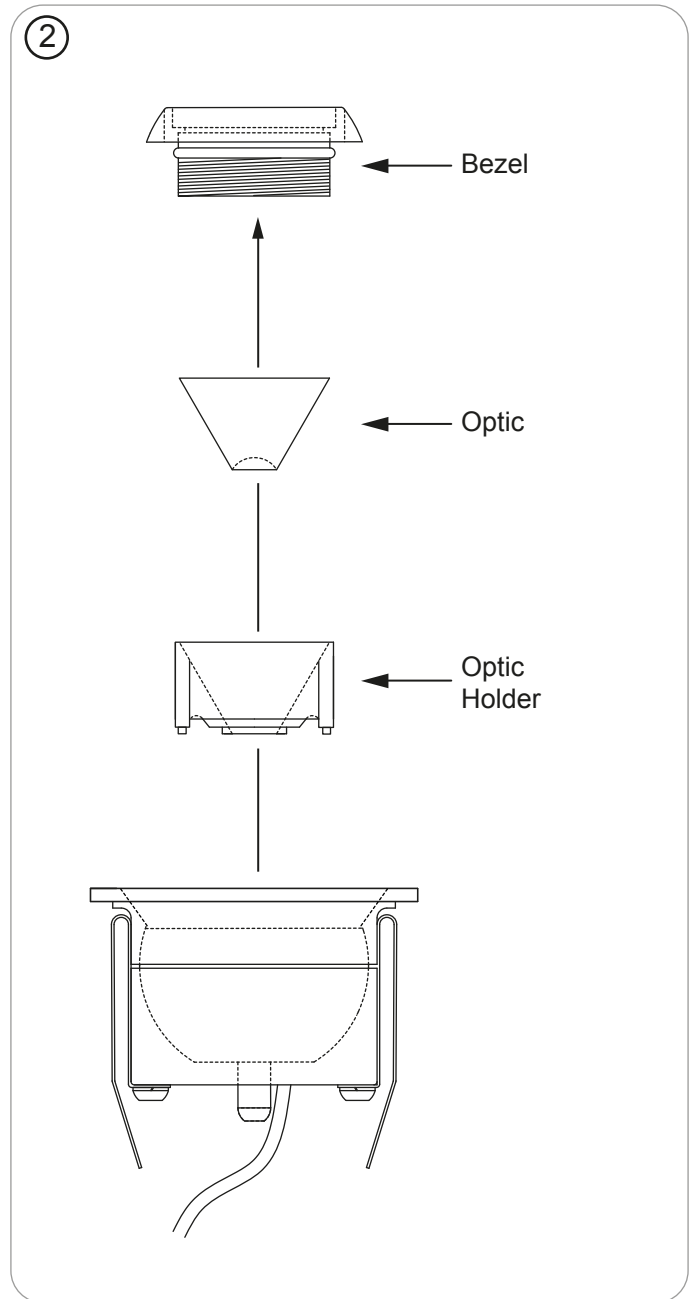
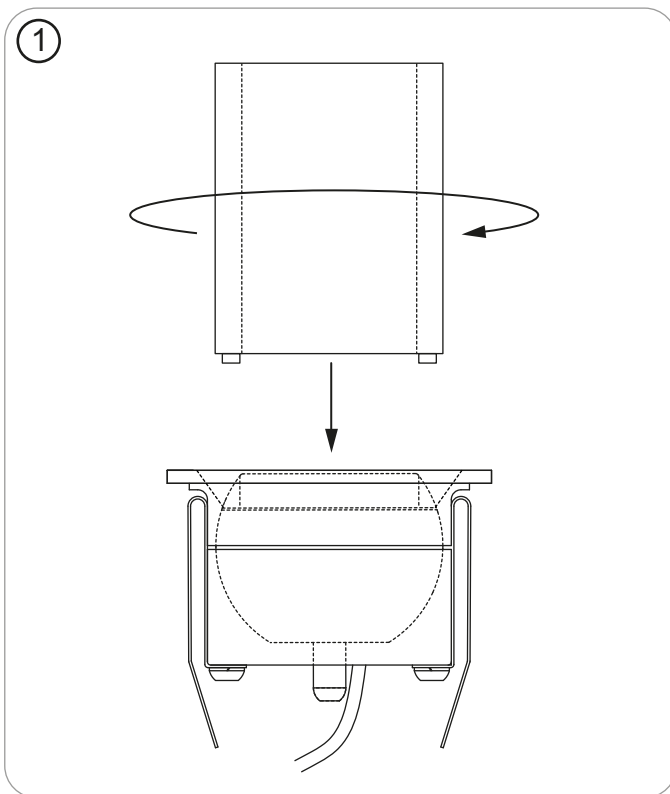
LENS / SNOOT CHANGE

Fully isolate and allow fitting to cool sufficiently before handling. Remove the fitting from the ceiling before changing the lens or snoot.

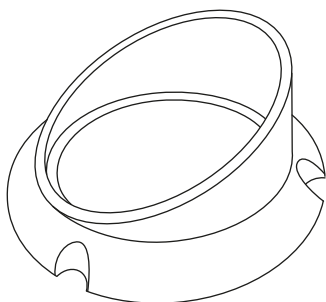
Step 1 Lock the fitting at a non-tilted position and use the specialist tool provided to unwind the ring anti-clockwise to remove it from the tube.

Step 2 The lens and or snoot can now be removed from the fitting and replaced with one of suitable specification.

Reverse process to re-assemble.



Snoot options available for additional glare protection



Use the snoot in place of the bezel for additional glare protection.

