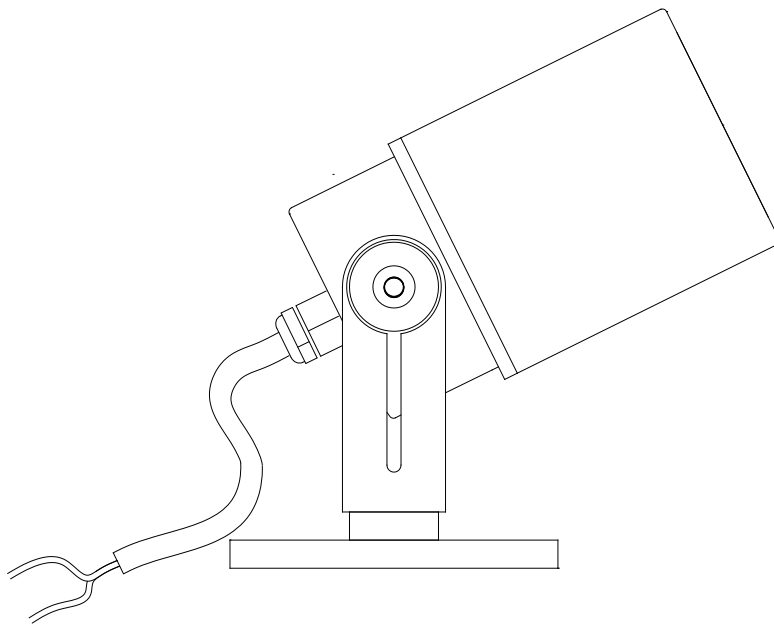




Frog Type X

Installation and Maintenance Instructions




IMPORTANT: All wiring connections must be made before switching on mains power.


 Xicato LED Module

 This product should not be disposed of in your general waste

 Please retain these instructions for future reference

 Class III - Extra Low Voltage

IP66 Dust tight and protected against powerful jets of water.

 European Conformity

Electrical Supply

Installation must be carried out by a qualified electrician in accordance with BS 7671:2008 Wiring Regulations. 230/240V AC 50/60Hz mains supply to a suitable SELV LED Driver.

Site conditions: LED equipment is more susceptible to static damage and overvoltage than previous technology. Before handling or connecting to the mains supply ensure that all MSL products are protected from static discharge and that the mains supply is to regulation. (230V +10 -6%)

This fitting is supplied with a Xicato LED module. Refer to the fitting label for the module version and wattage. More information on the module can be found at www.xicato.com/support

Mains cables must be double insulated, strain relieved and separated from E.L.V output cables.

This unit requires a constant current driver. 700mA Max.

Observe polarity:

Positive (+) is marked as RED.

Incorrect supply or reverse polarity can cause irreparable damage.

All connections must be made before switching on mains.

If the supply is energised prior to making the connections to the fitting then the resulting surge will damage the LED.

All lighting equipment is delicate and easily damaged through misuse or inappropriate installation (mechanical or electrical). Repairs and replacements may cause delays and will be chargeable. Contact MSL for support if required. For full warranty terms & conditions please visit our website.

The IP rating stated is applicable only when the fitting has been installed as per these instructions.

Dimming control circuit source must be of SELV insulation class.

Ensure supply driver and connectors are housed indoors OR in a suitably IP rated enclosure.

Installation

Check that the mounting surface is suitable for the installation of this fitting.

A 30mm diameter hole is required for cable routing with a waterproof connector. If a 'bay bar' is supplied, a 56mm diameter hole is required.

Step 1 Make mains connections to SELV LED driver and extra low voltage connections to the fitting.

Step 2 Secure fitting in place using two suitable screws or 'bay bar' if it is supplied.

If using a 'bay bar', slide it into the hole and secure the fitting using the supplied screws.

After opening the sealed portion of the luminaire for any reason, MSL recommends running the fitting for 15 minutes with the lid open to expel moisture before closing it up. This will prevent condensation on the lens and protect the fitting from corrosion.

WARNING: Do not look at exposed LED lamps in operation. Eye injury can result.

Cleaning:

Fully isolate the fitting and allow to cool.

Clean the fitting with a slightly damp lint free cloth from a mild solution of soap and water. The fitting must be completely dry before reconnecting power.

Incompatible or abrasive chemicals can damage the fitting, contact MSL for advice if required.

MODULE AND ACCESSORIES

The fitting uses a Xicato LED module. The colour temperature and lumen output can be found on the product label on the fitting.

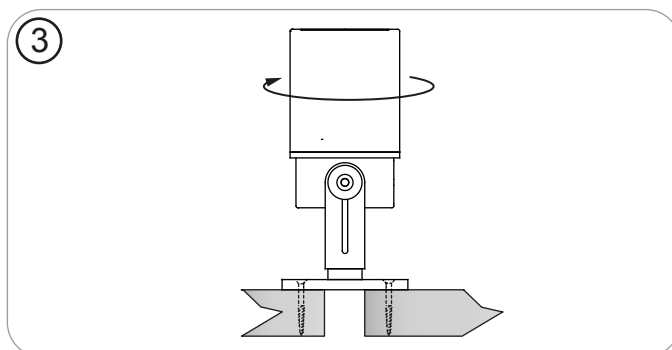
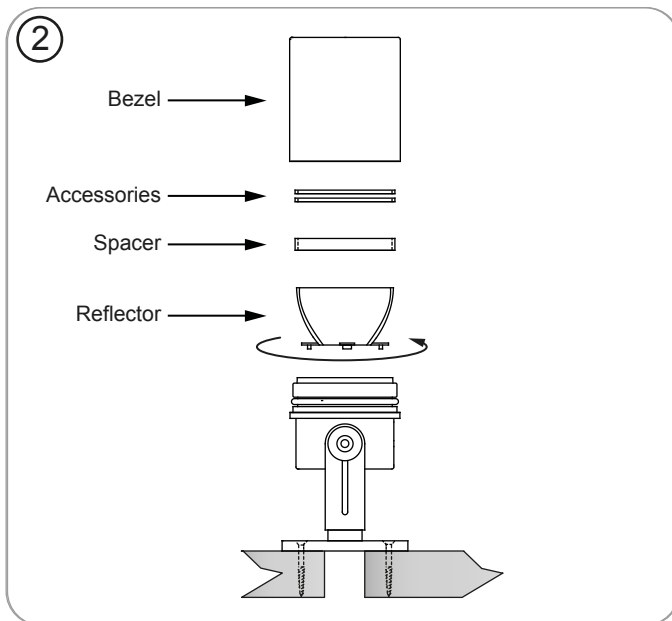
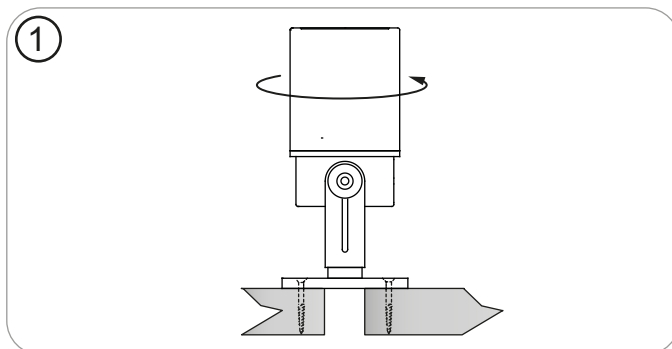
To Add/Remove accessories:

Isolate the fitting from the supply and allow to cool.

Step 1 Remove the bezel from the lamp tube by unscrewing in an anti-clockwise direction.

Step 2 Insert/remove any accessories or reflectors.

Step 3 Refit the bezel by rotating it on in a clockwise direction.



ADJUSTMENT

To adjust the tilt and pan of the fitting use an Allen key to loosen off the tilt and pan lock screws.

Frog X: 2.5mm Allen key

Once the desired angle is achieved lock off the screws.

DO NOT over tighten the screws as this could damage the lock and cause it to no longer function.

WARNING: Do not look at exposed LED lamps in operation. Eye injury can result.

