

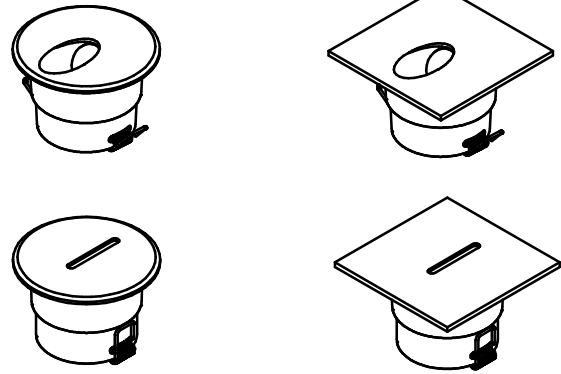
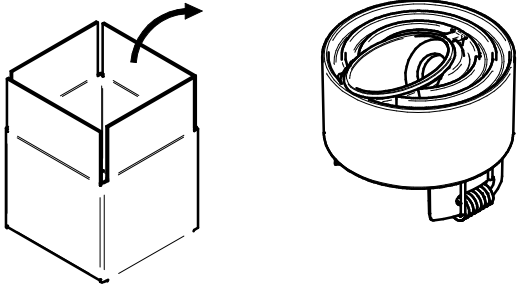


QUARA_R // QUARA_Q // QUARA65_F //
QUARA65_RI // QUARA65_R
// QUARA65_Q // QUARA65_QI // CUT



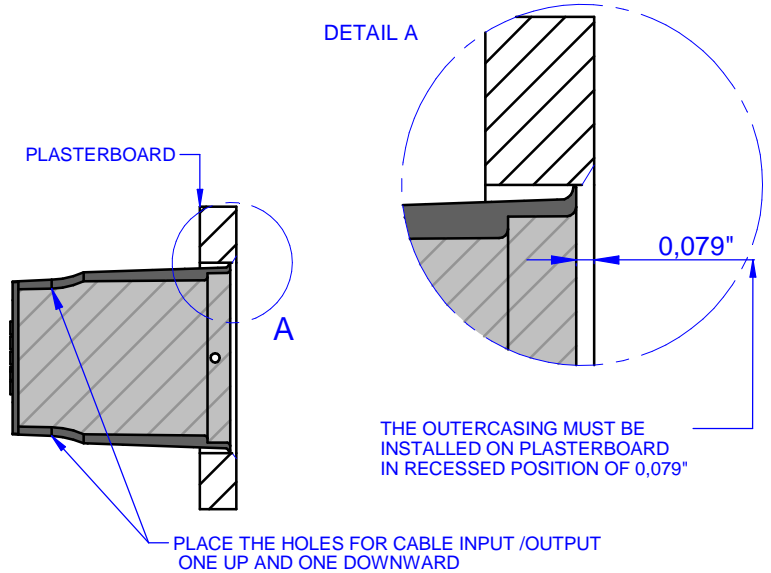
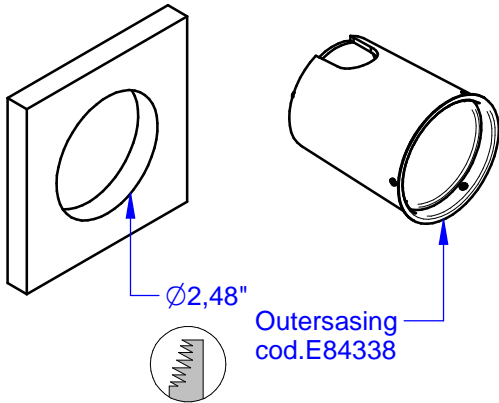
(A)

(B)



(A.1)

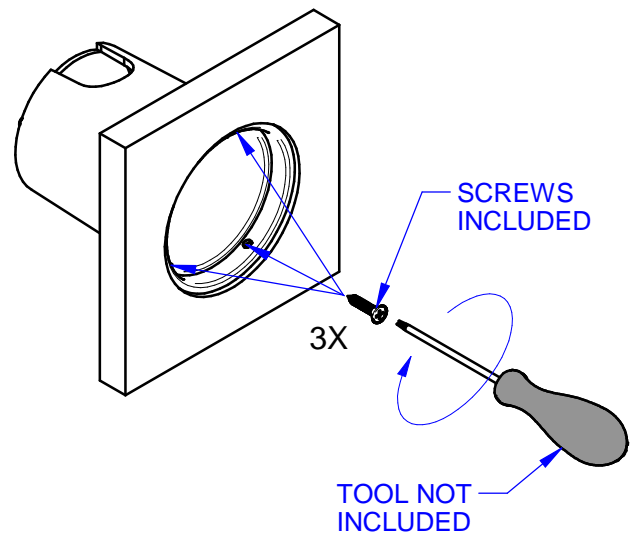
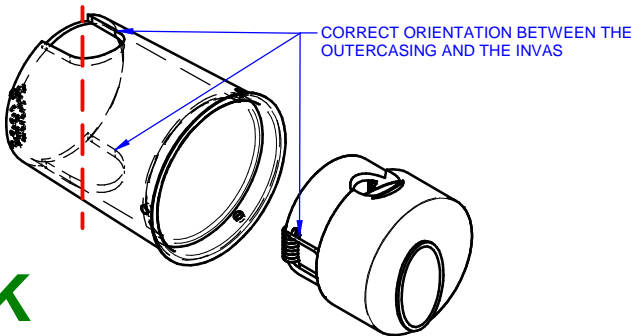
(A.2)



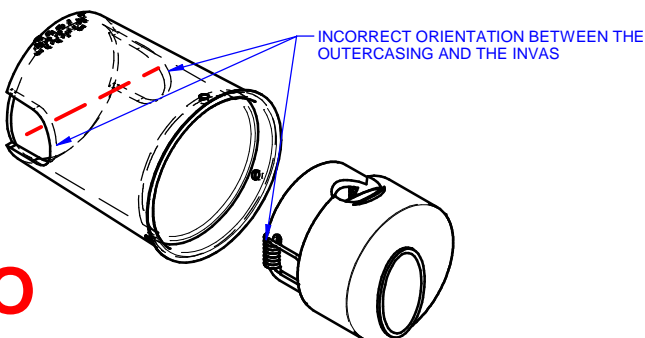
(A.3)

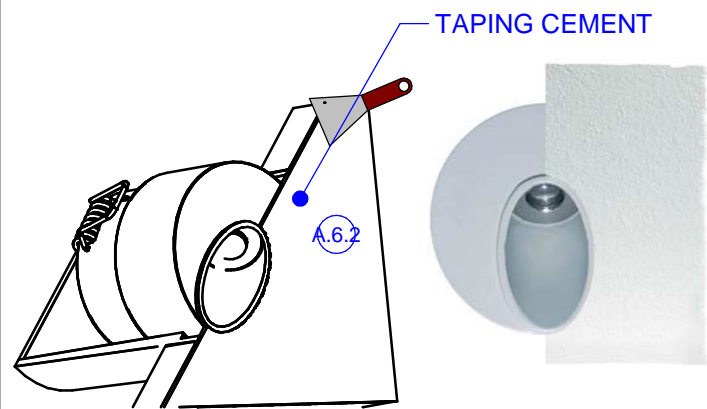
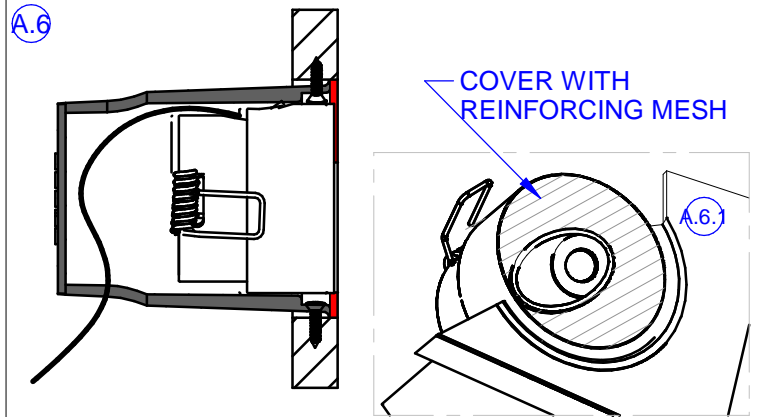
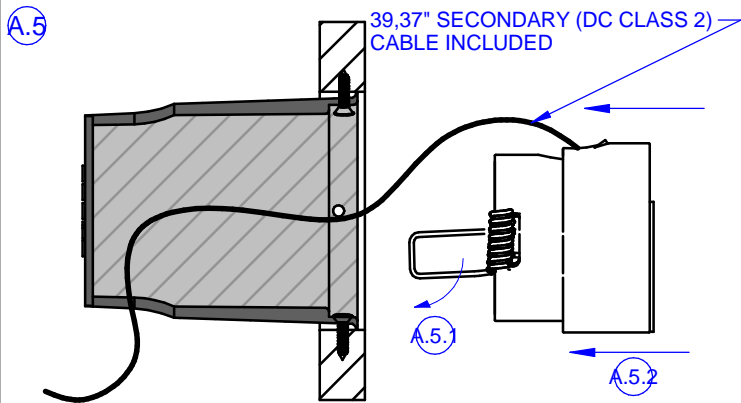
(A.4)

OK

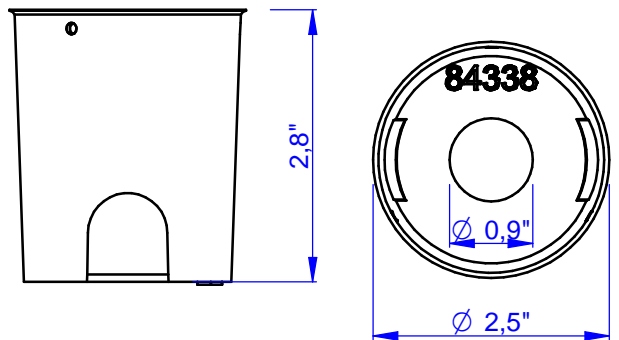


NO

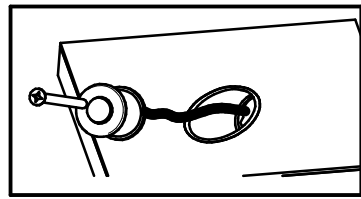
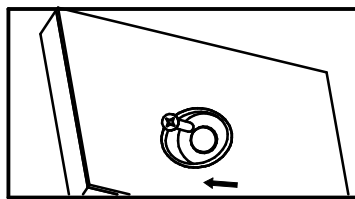
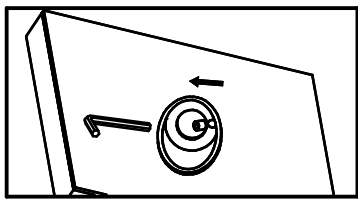




Outercasing
cod.E84338



MANUTENZIONE / MAINTENANCE



To replace the led unscrew the screw with the allen key ,open the appropriate screw and pull it out. to reinstall the led position it appropriately,hold it down and insert the screw.

THIS PRODUCT MUST BE INSTALLED IN ACCORDANCE WITH THE APPLICABLE INSTALLATION CODE BY A PERSON FAMILIAR WITH THE CONSTRUCTION AND OPERATION OF THE PRODUCT AND THE HAZARDS INVOLVED

MOUNTING INSTRUCTIONS

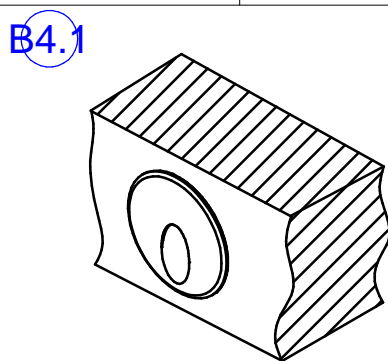
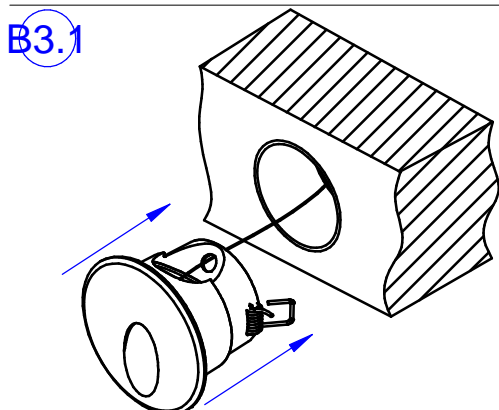
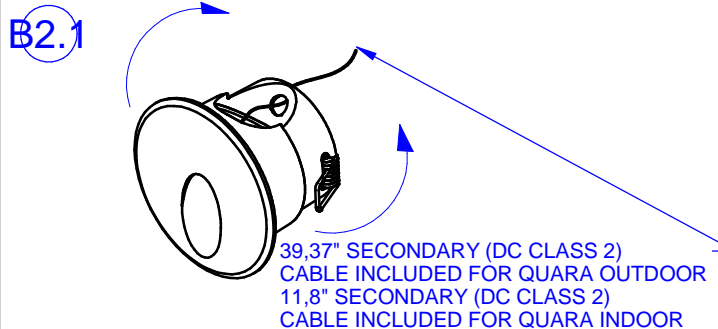
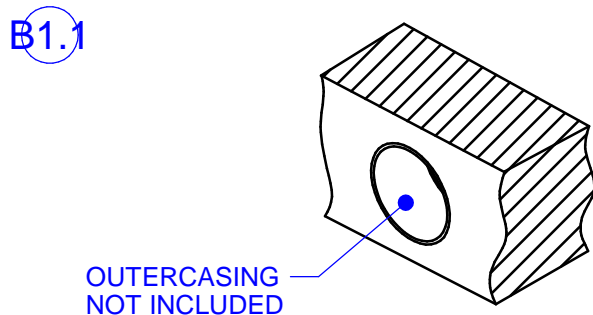
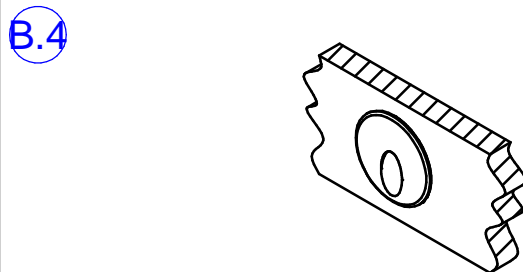
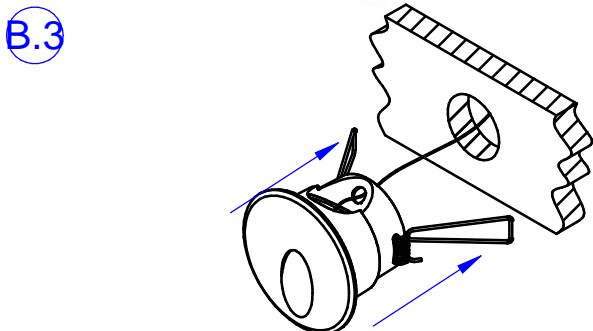
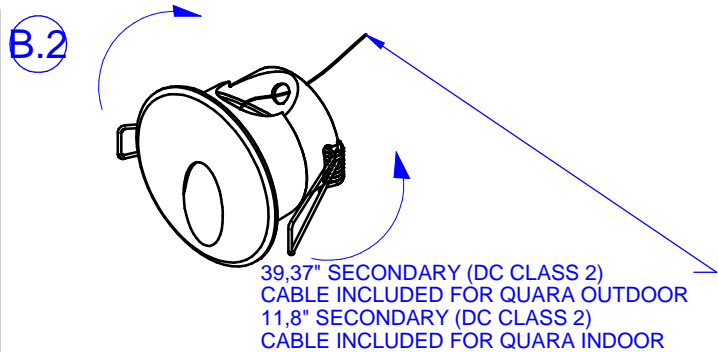
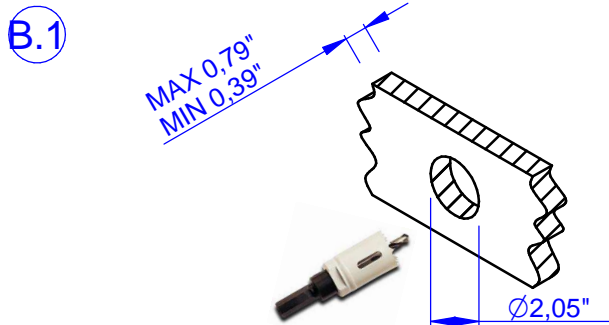
READ ALL OF THESE INSTRUCTIONS BEFORE INSTALLING FIXTURES

- Keep all of the instructions for future reference
- Turn off power before installing fixture
- Installation is to be performed by a qualified electrician only
- All installations must conform to the National Electrical Code as well as all local jurisdictional codes and regulations
- Any modification of the luminaire will void any and all written or implied warranties
- The manufacture accepts no responsibility for damage to persons or property arising through improper use or installation

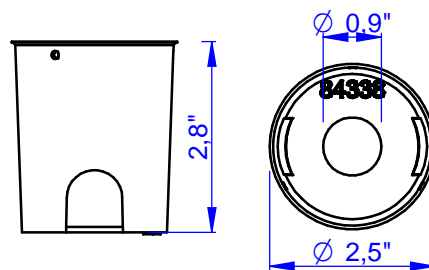
INSTALLATION SEQUENCE

- Mount remote driver in accessible well ventilated space
- Ensure power is off before connecting driver to line voltage
- Cut the correct opening size in the plasterboard [A.1]
- Position the outercasing as in pictures [A.2-A.3]
- Fix the outercasing on the plasterboard with the screws [A.4]
- Connect secondary wiring to fixture wiring
- Turn the springs [A.5.1] and insert the Quara65_F into the outercasing [A.5.2]
- Cover the dashed part with a reinforcing mesh [A.6.1]
- Taping cement [A.6.2]
- **WARNING** - Be sure secondary wiring is connected to driver BEFORE energizing to avoid LED failure
- Energize

Colours Secondary Cable	Pole
Wire red	+
Wire blue	-



Outercasing
cod.E84338



THIS PRODUCT MUST BE INSTALLED IN ACCORDANCE WITH THE APPLICABLE INSTALLATION CODE BY A PERSON FAMILIAR WITH THE CONSTRUCTION AND OPERATION OF THE PRODUCT AND THE HAZARDS INVOLVED MOUNTING INSTRUCTIONS

READ ALL OF THESE INSTRUCTIONS BEFORE INSTALLING FIXTURES

- Keep all of the instructions for future reference
- Turn off power before installing fixture
- Installation is to be performed by a qualified electrician only
- All installations must conform to the National Electrical Code as well as all local jurisdictional codes and regulations
- Any modification of the luminaire will void any and all written or implied warranties
- The manufacture accepts no responsibility for damage to persons or property arising through improper use or installation

INSTALLATION SEQUENCE

- Mount remote driver in accessible well ventilated space
- Ensure power is off before connecting driver to line voltage
- Insert the correct springs for the installation type
- Cut correct size opening in ceiling or wall [B.1] or install the outercasing [B.1.1]
- Connect secondary wiring to fixture wiring
- Turn the springs of the Quara65 / Cut [B.2 - B.2.1]
- Insert the Quara into the hole [B.3] or into the outercasing [B.3.1]
- WARNING - Be sure secondary wiring is connected to driver BEFORE energizing to avoid LED failure
- Energize

WIRING SEQUENCE ONLY FOR QUARA INDOOR WITH CONNECTOR

- Wire the cables on the connectors and make sure that they are fixed

QUARA OUTDOOR	
Colours Secondary Cable	Pole
Wire red	+
Wire blue	-
QUARA INDOOR	
Colours Secondary Cable	Pole
Wire red	+
Wire black	-