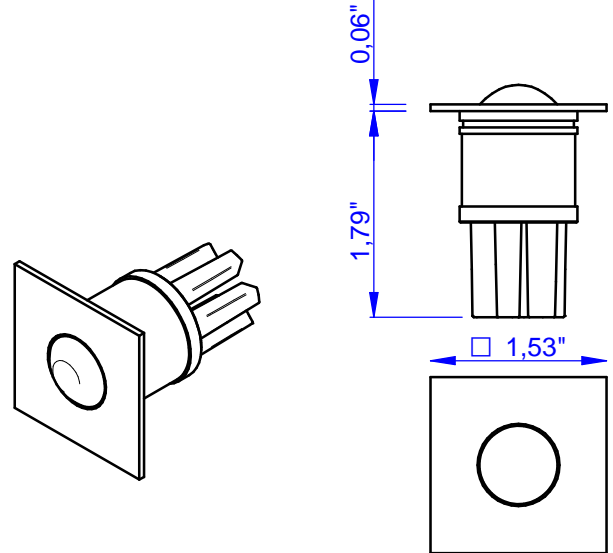
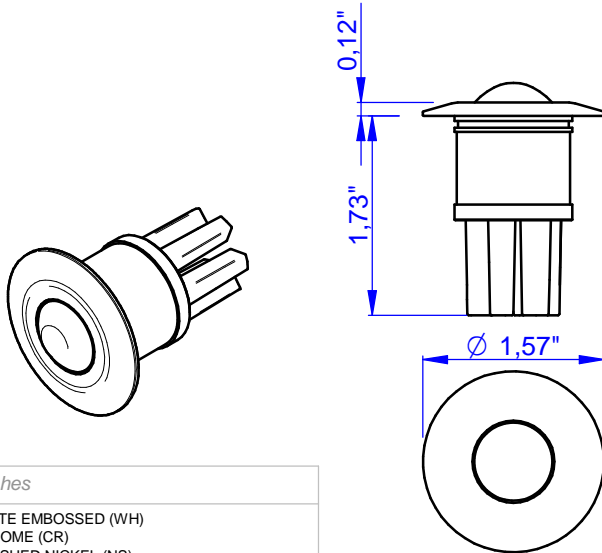


Data Sheet

FINISH	CODE	COLOUR LED	OPTIC
CHROME	E85059	5000K - C	10° - 10 30° - 30 50° - 50 70° - 70 120° - 12 Diffused - 00
BRUSHED NICKEL	E85060	4000K - N	
STAINLESS STEEL	E86883	3000K - W	
EMBOSSSED WHITE	E88423	2700K - M	
NICKEL BLACK MATT	E97721	Amber - Y	
		Blue - B	
		Green - G	
		Red - R	

FINISH	CODE	COLOUR LED	OPTIC
CHROME	E85061	5000K - C	10° - 10 30° - 30 50° - 50 70° - 70 120° - 12 Diffused - 00
BRUSHED NICKEL	E85062	4000K - N	
STAINLESS STEEL	E86884	3000K - W	
EMBOSSSED WHITE	E88424	2700K - M	
NICKEL BLACK MATT	E97722	Amber - Y	
		Blue - B	
		Green - G	
		Red - R	



Finishes

- WHITE EMBOSSSED (WH)
- CHROME (CR)
- BRUSHED NICKEL (NS)
- STAINLESS STEEL (IS)
- NICKEL MATT BLACK (BK)

Product Description

Recessed round spot with power LED. Brass body, available in chrome, nickel and powder coated (white) or stainless steel body. Article equipped with an aluminum heat sink on the back of the spotlight. Installation on drywall. Installation with outer casing with springs (included). Suitable for interior decoration, applicable on walls, ceilings and furniture. Power supply remote.

LED White :
5000K - 4000K - 3000K - 2700K

Color LED :
Blue, Amber, Red, Green

Optic :
10°-30°-50°-70°-120°-00°

LED RGB :
-

Optic :
-

Applications

Indoor Spotlight

Power Led:

LED XPG2 CREE - CRI80

Resin: Yes

Cable type included: Yes, 11,8" 2X22AWG red/blue cables

Connector type: -

Input (mA) : 630 mA

Nominal power (W): 2W

Real power (W): Nominal Power

Temperature on the surface of the glass: 40°C

Adjustability: No

Drive over: No

Glow Wire: 850°

Power supply: Remote

Insulation class: Class 2

IP 44

IK -

Weigh: 0,16 Lbs

Volume: 12,2 "³

Luminous flux

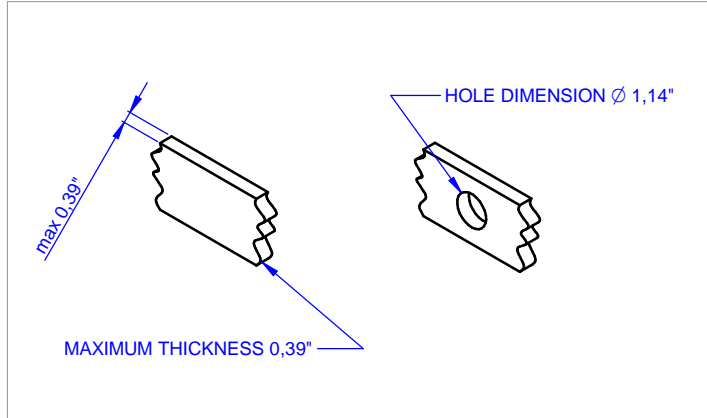
Type LED	n°led	Nominal Lumen*				Nominal Power
		5000K - C	4000K - N	3000K - W	2700K - M	
XPG2	1	266	249	233	219	2W

*Value of the luminous flux from the LED data sheet.



Data Sheet

Installation



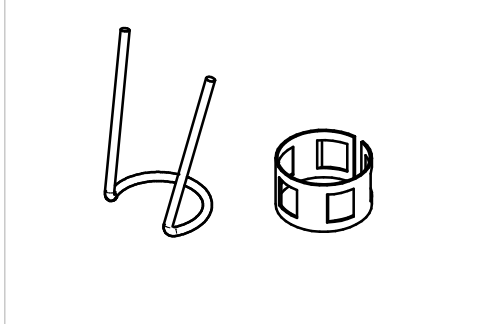
THIS PRODUCT MUST BE INSTALLED IN ACCORDANCE WITH THE APPLICABLE INSTALLATION CODE BY A PERSON FAMILIAR WITH THE CONSTRUCTION AND OPERATION OF THE PRODUCT AND THE HAZARDS INVOLVED

READ ALL OF THESE INSTRUCTIONS BEFORE INSTALLING FIXTURES

- Keep all of the instructions for future reference
- Turn off power before installing fixture
- Installation is to be performed by a qualified electrician only
- All installations must conform to the National Electrical Code as well as all local jurisdictional codes and regulations
- Any modification of the luminaire will void any and all written or implied warranties
- The manufacture accepts no responsibility for damage to persons or property arising through improper use or installation

Accessories

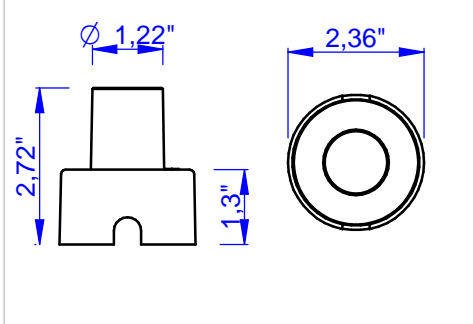
Accessory (1)



Accessory (1)

Springs included

Accessory (2)



Accessory (2)

cod. E84901 outer casing

Accessory (3)

Accessory (4)