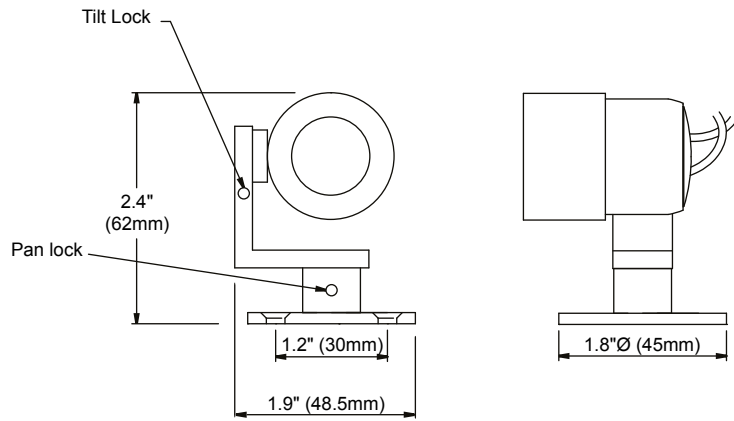


Tadpole



Miniature IP66 adjustable and clamp bracket lockable exterior accent light. Ø 0.8" optics can be changed on site.

- Materials: Aluminum, toughened glass
- Color Temp: 2700K, 3000K, 3500K, or 4000K
- Lamp: MSL Star (1 x Osram Oslon Square)
- IP rating: IP66
- Optics: 0.8"Ø (20mm) optics. Please refer to the table below for beam angle options and ordering information.
- Finish: White (Standard) Pure White RAL 9010 30% gloss
Black (Standard) Powdercoat Matte Black 5% gloss
Custom paint and anodized finishes available
- Dimming: EldoLED 0-10V or DMX
- Supply: Constant current remote driver required
Allow 2W at 700mA
- Locking: 1.5mm Allen key required
- Available tilt: ±90°
- Weight: 0.44lb (0.2kg)

Order Code	series.col temp.beam.finish.dimming
Example	Tadpole.2700K.10°.white.D010

Series	Color	Beam	Finish	Dimming and control
Tadpole	2700K	10°	white	D010 0-10V
	3000K	13°	black	DMX DMX
	3500K	19°	custom	
	4000K	35°		

LED Information

Each LED "lamp" consists of one or more Osram Oslon Square power LED thermally bonded to an aluminum cored printed circuit board.

MSL Star



Ø21mm PCB with a single Osram Oslon Square LED. For Ø20mm optics.

