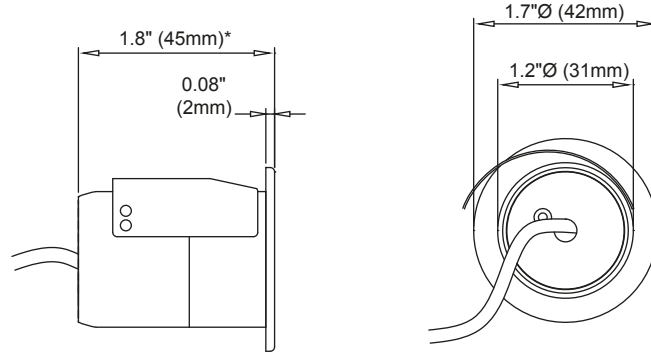


# Mole



Miniature LED ground or wall recessed fitting. Suitable for use in areas subject to foot traffic only.

- Materials: Aluminum, toughened glass
- Color Temp: 2700K, 3000K, 3500K or 4000K
- Lamp: MSL Star (1 x Osram Oslon Square)
- IP Rating: IP65
- Optics: 0.8"Ø (20mm) optics. Please refer to the table below for beam angle options and ordering information.
- Finish: White (Standard) Pure White RAL 9010 30% gloss  
Black (Standard) Powdercoat Matte Black 5% gloss  
Custom paint and anodized finishes available
- Dimming: EldoLED 0-10V or DMX
- Driver: Constant current remote driver required  
Allow 2W at 700mA
- Cut out: 1.3"Ø (33mm)
- Locking: Fixed
- Available Tilt: Fixed
- Weight: 0.44lb (0.2kg)
- Deviation: Deepset versions

### LED Information

Each LED "lamp" consists of one or more Osram Oslon Square power LED thermally bonded to an aluminum cored printed circuit board.



### MSL Star

Ø21mm PCB with a single Osram Oslon Square LED. For Ø20mm optics.

Order Code	series.col temp.beam.finish.dimming
Example	Mole.3000K.10°.white.D010

Series	Color	Beam	Finish	Dimming and control	Deviation*
Mole	2700K	10°	white	D010 0-10V DMX DMX	Deepset version 1 2.3" (58mm) recessed length Deepset version 2 2.9" (73mm) recessed length
	3000K	13°	black		
	3500K	19°	custom		
	4000K	35°			

