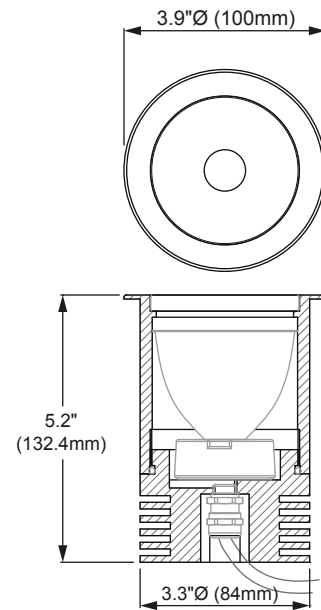


Mole Type X



IP66 rated fixed focus exterior ground recessed uplight for Xicato module. Suitable for use in areas subject to foot traffic only.

- Materials: Aluminum
- Color Temp: 2700K, 3000K, 3500K or 4000K
- Lamp: Xicato XTM or XIM 9mm or 19mm LES LED module
- Output: Please see table below. *Vibrant Series only available for 3000K*
- CRI Ra: ≥80 or ≥95 Artist
- IP Rating: IP66
- Optics: 3.9" Ø (100mm) optics. Please refer to the table below for beam options, accessories and ordering information.
- Finish: White (Standard) Pure White RAL 9010 30% gloss
Black (Standard) Powdercoat Matte Black 5% gloss
Custom paint and anodized finishes available
- Dimming: XTM EldoLED 0-10V or DMX
XIM Constant current remote driver
- Supply: XTM 48V DC
XIM
- Cut out: 4.1" Ø (104mm)
- Locking: PDE
- Weight: 0.3lb (Fkg)

LED Information

This product uses the Xicato Module
Technical advantages of the Xicato Module:

- Color consistency Initial; 1 x 2 MacAdam ellipses
- Color consistency Maintained; 3 MacAdam ellipses
- Excellent color rendering
- Uniform beam
- No multiple shadowing

Order Code	series.col temp.module.lumen code.beam.finish.dimming
Example	Mole.X.3000K.XTM19.V95.43°.white.D010

Series	Color	Module Type	Lumen Code - Max output and CRI	Beam	Finish	Dimming and control	Lenses, Louvers and Accessories
Mole.X	2700K 3000K 3500K 4000K	XTM9 XTM 9mm LES	S82 Standard Series 82 1400lm 19.5 A95 Artist Series 95 1300lm 24.3 V80 Vibrant Series V80 1400lm 19.5* V95 Vibrant Series V95 1300lm 24.3*	11° 18° 23° 41°	white black custom	D010 Remote 0-10V DMX DMX	SL Symmetrical spread lens TE Soft Elliptical spread lens PE Sharp Elliptical spread lens HL Honeycomb louver DL Dichroic lens
		XTM19 XTM 19mm LES	S82 Standard Series 82 3000lm 29.3 A95 Artist Series 95 2140lm 22.3 V80 Vibrant Series V80 3000lm 29.3* V95 Vibrant Series V95 2140lm 22.3*	21° 32° 42° 57°			
		XIM9 XIM 9mm LES	S82 Standard Series 82 1300lm 18.7 A95 Artist Series 95 700lm 11.9 V80 Vibrant Series V80 1300lm 18.7* V95 Vibrant Series V95 700lm 11.9*	11° 18° 23° 41°			
		XIM19 XIM 19mm LES	S82 Standard Series 82 2000lm 23.8 A95 Artist Series 95 1300lm 19.6 V80 Vibrant Series V80 2000lm 23.8* V95 Vibrant Series V95 1300lm 19.6*	21° 32° 42° 57°			

Xicato Thermal Validation Program approved

