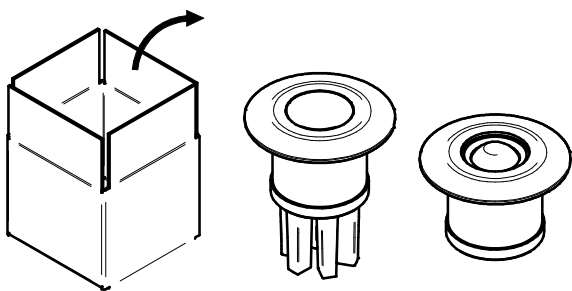


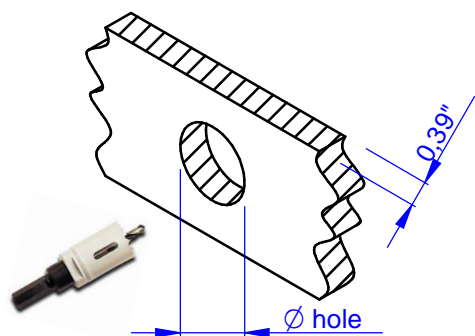


ASPHO // ELIN // NITUM // BERIEL // VIKY // GUDE // PETIT // PICROL // ENVELOPE



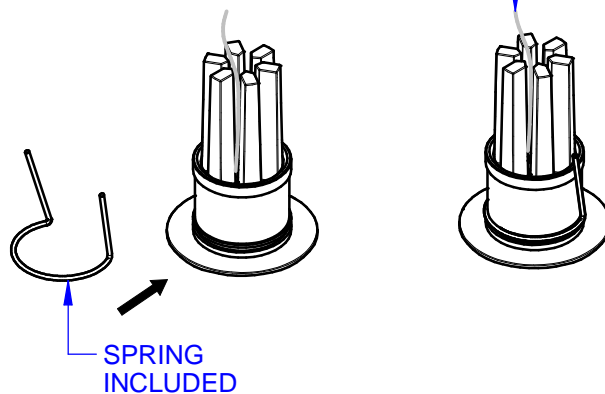
Article	∅ hole	Crystal		
		□ 0,78" / ∅ 0,83"	□ 1,18" / ∅ 1,22"	□ 1,57" / ∅ 1,61"
Aspho	∅ 0,59"	-	-	-
Elin	∅ 0,59"	-	-	-
Nitum	∅ 1,14"	-	-	-
Beriel	∅ 0,59"	-	-	-
Viky	∅ 1,14"	-	-	-
Petit_R/Petit_Q	∅ 0,59"	-	-	-
Petit_2R/Petit_2Q	∅ 1,14"	-	-	-
Gude	-	∅ 0,59"	∅ 0,78"	∅ 1,14"
Ture	-	∅ 0,59"	∅ 0,78"	∅ 1,14"
Picrol 1W ∅ 25	∅ 0,78"	-	-	-
Picrol 1W / Picrol 1,5W	Only with outercasing			
Envelope	∅ 1,14"	-	-	-

1.A

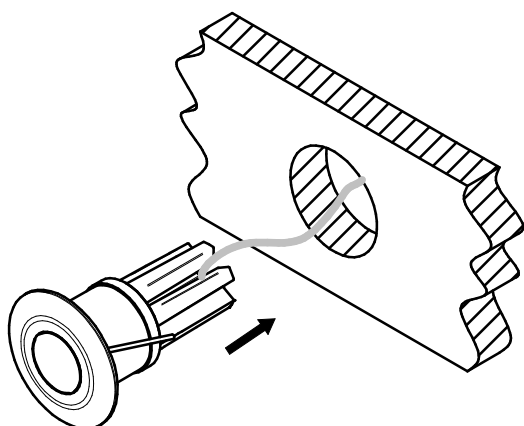


2.A

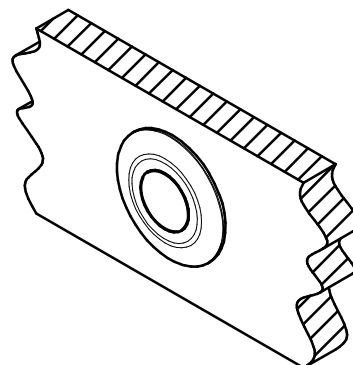
11,8" SECONDARY (DC CLASS 2)
 CABLE INCLUDED



3.A

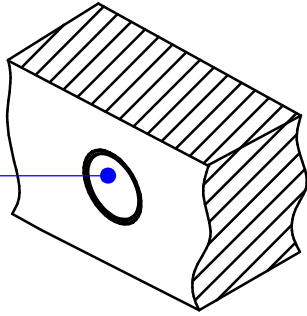


4.A



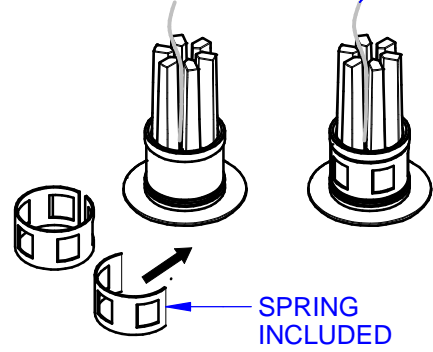
1.B

OUTERCASING
NOT INCLUDED

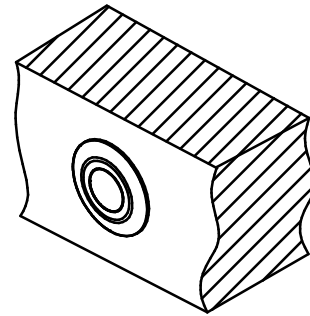
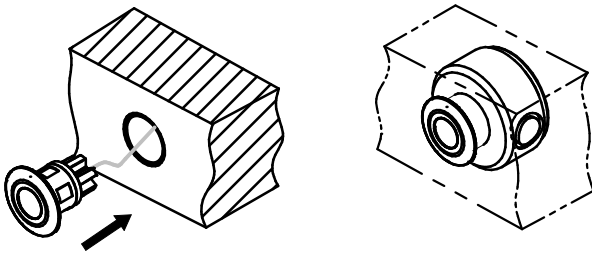


2.B

11,8" SECONDARY (DC CLASS 2)
CABLE INCLUDED



3.B



THIS PRODUCT MUST BE INSTALLED IN ACCORDANCE WITH THE APPLICABLE INSTALLATION CODE BY A PERSON FAMILIAR WITH THE CONSTRUCTION AND OPERATION OF THE PRODUCT AND THE HAZARDS INVOLVED

MOUNTING INSTRUCTIONS

READ ALL OF THESE INSTRUCTIONS BEFORE INSTALLING FIXTURES

- CAUTION: USE ONLY WITH CLASS 2 POWER UNIT
- Keep all of the instructions for future reference
- Turn off power before installing fixture
- Installation is to be performed by a qualified electrician only
- All installations must conform to the National Electrical Code as well as all local jurisdictional codes and regulations
- Any modification of the luminaire will void any and all written or implied warranties
- The manufacture accepts no responsibility for damage to persons or property arising through improper use or installation

INSTALLATION SEQUENCE

- Mount remote driver in accessible well ventilated space
- Ensure power is off before connecting driver to line voltage
- Cut correct size opening in ceiling or wall [1.A] or install the outercasing [1.B]
- Fix the spring on the article [2.A-2.B]
- Insert the article into the hole [3.A-3.B]
- Connect secondary wiring to fixture wiring
- WARNING - Be sure secondary wiring is connected to driver BEFORE energizing to avoid LED failure
- Energize