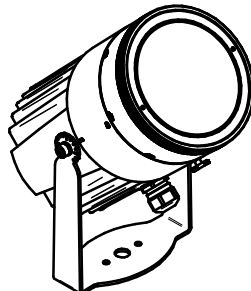
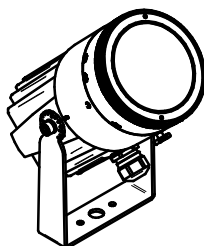
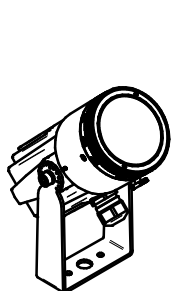
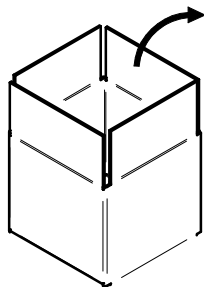


IRIS67

IRIS67_13W

IRIS67_20W

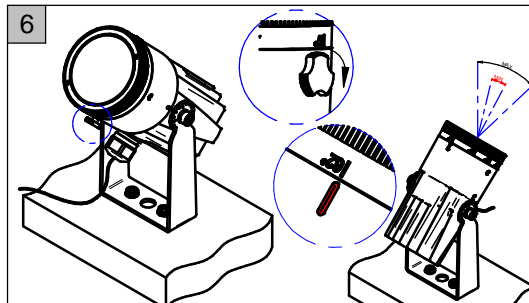
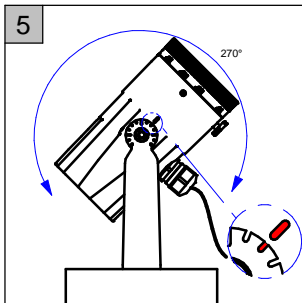
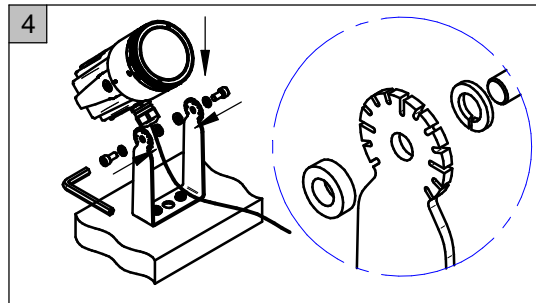
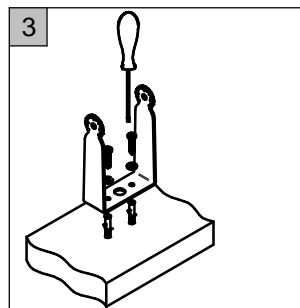
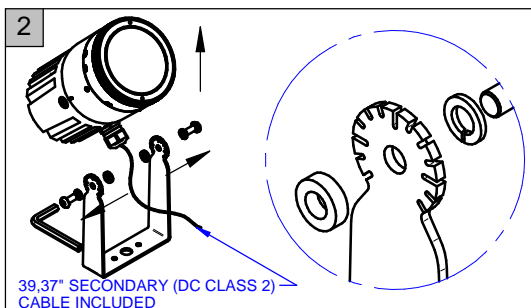
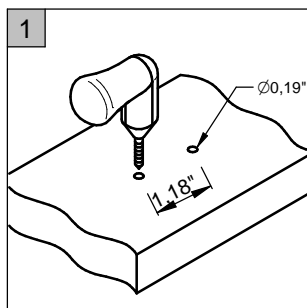
IRIS67_30W



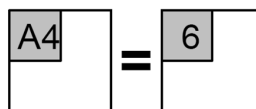
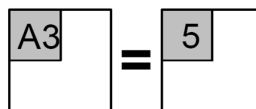
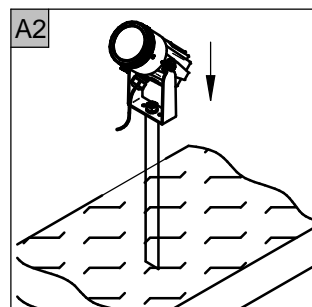
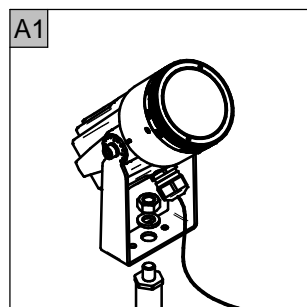
NOT INCLUDED

COD.	L.
84890	9,84"
98112	27,55"

INCLUDED



IRIS67 +(84890-98112)



THIS PRODUCT MUST BE INSTALLED IN ACCORDANCE WITH THE APPLICABLE INSTALLATION CODE BY A PERSON FAMILIAR WITH THE CONSTRUCTION AND OPERATION OF THE PRODUCT AND THE HAZARDS INVOLVED

MOUNTING INSTRUCTIONS

READ ALL OF THESE INSTRUCTIONS BEFORE INSTALLING FIXTURES

- CAUTION: USE ONLY WITH CLASS 2 POWER UNIT
- Keep all of the instructions for future reference
- Turn off power before installing fixture
- Installation is to be performed by a qualified electrician only
- All installations must conform to the National Electrical Code as well as all local jurisdictional codes and regulations
- Any modification of the luminaire will void any and all written or implied warranties
- The manufacture accepts no responsibility for damage to persons or property arising through improper use or installation

INSTALLATION SEQUENCE WITH THE PLUGS AND SCREWS

- Mount remote driver in accessible well ventilated space
- Ensure power is off before connecting driver to line voltage
- Make two holes on the floor [1]
- Unscrew the screw and remove the bracket [2]
- Fix the bracket with the screw [3]
- Position the spotlight and tighten the screw [4]
- Adjust the inclination desired [5]
- Adjust the focus desired [6]
- Connect secondary wiring to fixture wiring
- WARNING - Be sure secondary wiring is connected to driver BEFORE energizing to avoid LED failure
- Energize

INSTALLATION SEQUENCE WITH THE PICKET

- Mount remote driver in accessible well ventilated space
- Ensure power is off before connecting driver to line voltage
- Fix the picket on the bracket [A.1]
- Position the spotlight on the ground [A.2]
- Adjust the inclination desired [5]
- Adjust the focus desired [6]
- Connect secondary wiring to fixture wiring
- WARNING - Be sure secondary wiring is connected to driver BEFORE energizing to avoid LED failure
- Energize

Colours Secondary Cable	Pole
Wire red	+
Wire blue	-