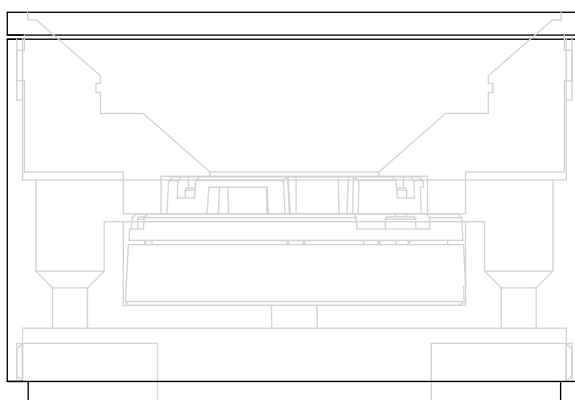



BPX


Installation and Maintenance Instructions




IMPORTANT: All wiring connections must be made before switching on mains power.


 Class III - Extra Low Voltage

 Indoor Use Only

 This product should not be disposed of in your general waste

 European Conformity

 Please retain these instructions for future reference

 Xicato XSM series

 Xicato XSM Artist series

Driving current	350 mA	500 mA	700 mA	1050 mA
Module				
700 lm	280lm 2.9 W	380 lm 4.3 W	500 lm 6.2 W	700 lm 9.7 W
1000 lm	380 lm 4 W	540 lm 5.8 W	720 lm 8.3 W	1000 lm 13 W
1300 lm	500 lm 5.4 W	700 lm 7.9 W	930 lm 11.3 W	
2000 lm	780 lm 8.8 W	1070 lm 12.9 W		
3000 lm	1210 lm 13.8 W			

Driving current	350 mA	500 mA	700 mA	1050 mA
Module				
700 lm	400 lm 6.8 W	550 lm 9.4 W		
1000 lm	380 lm 6.5 W	540 lm 9.4 W		
1300 lm	500 lm 8.5 W	700 lm 12.4 W		
2000 lm	780 lm 13.2 W			

Electrical Supply

Installation must be carried out by a qualified electrician in accordance with BS 7671:2008 Wiring Regulations. 230/240V AC 50/60Hz mains supply to a suitable SELV LED Driver.

Mains cables must be double insulated, strain relieved and separated from E.L.V output cables.

This unit requires a constant current driver. 700mA Max.

Observe polarity:
Positive (+) is marked as RED.
Incorrect supply or reverse polarity can cause irreparable damage.

All connections must be made before switching on mains.

Dimming control circuit source must be of SELV insulation class.

Ensure supply driver and connectors are housed indoors OR in a suitable IP rated enclosure.

Maximum permissible ambient temperature is 35°C. For fittings used beyond this temperature please contact MSL.

WARNING: Do not look at exposed LED lamps in operation. Eye injury can result.

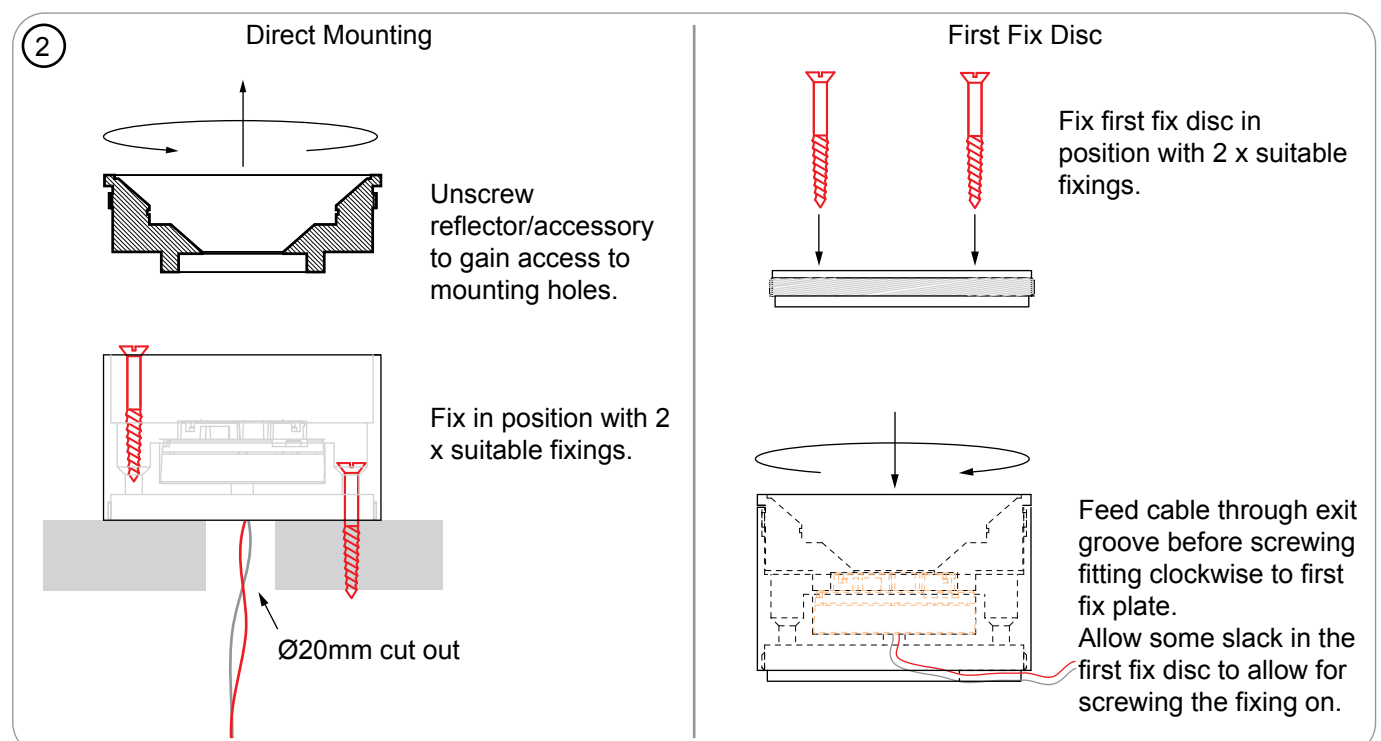
Installation

Check that the mounting surface is suitable for the installation of this fitting.

A 20mm diameter hole is required for cable routing if fitting is direct mounted.

Step 1 Make mains connections to SELV LED driver and extra low voltage connections to the fitting.

Step 2 Mount fitting as required.



MODULE AND ACCESSORIES

The fitting uses a Xicato XSM LED module. The colour temperature and lumen output can be found on the product label on the fitting.

To Add/Remove accessories:

Isolate the fitting from the supply and allow to cool.

There are various configurations available for this fitting.

- ① To replace accessories remove circlip and load accessories. Reattach circlip to secure.
- ② To replace reflector, unscrew reflector in an anti clockwise direction. Replace reflector as required.
- ③ Remove old reflector/accessory by unscrewing in an anti clockwise direction. Replace with new reflector/accessory as required.

Important

To ensure thermal contact of the module, ensure that the front section is fully tightened with the module sitting flat in the unit.

