



**WARNING:**

INSTALL PRODUCT IN ACCORDANCE WITH LOCAL AND NATIONAL ELECTRICAL CODES BY A QUALIFIED ELECTRICIAN OR ELECTRICAL CONTRACTOR.



**WARNING:**

FAILURE TO COMPLY WITH THE INSTALLATION INSTRUCTIONS MAY RESULT IN DEATH OR SERIOUS INJURY



**WARNING:**

READ ALL SAFETY INSTRUCTIONS INCLUDED WITH LUMINAIRE BEFORE INSTALLING LUMINAIRE.

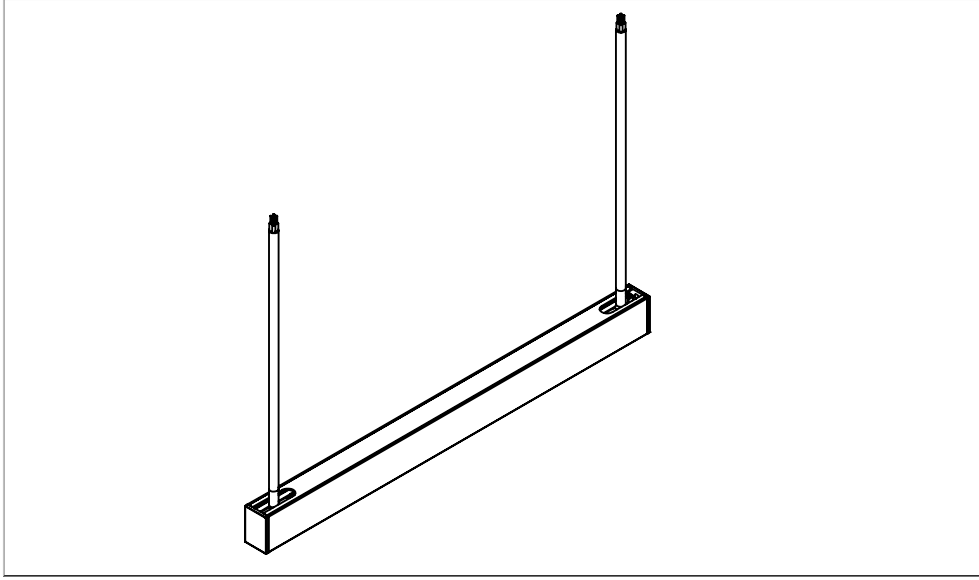
**CAUTION:**

THIS IS AN ELECTRONIC DEVICE. CARE MUST BE TAKEN DURING STORAGE AND HANDLING. STORE IN A CLEAN, COOL AND DRY LOCATION. ELECTROSTATIC DISCHARGE (ESD) CAN HARM THIS PRODUCT. AVOID STATIC DISCHARGE WHILE HANDLING THIS PRODUCT.

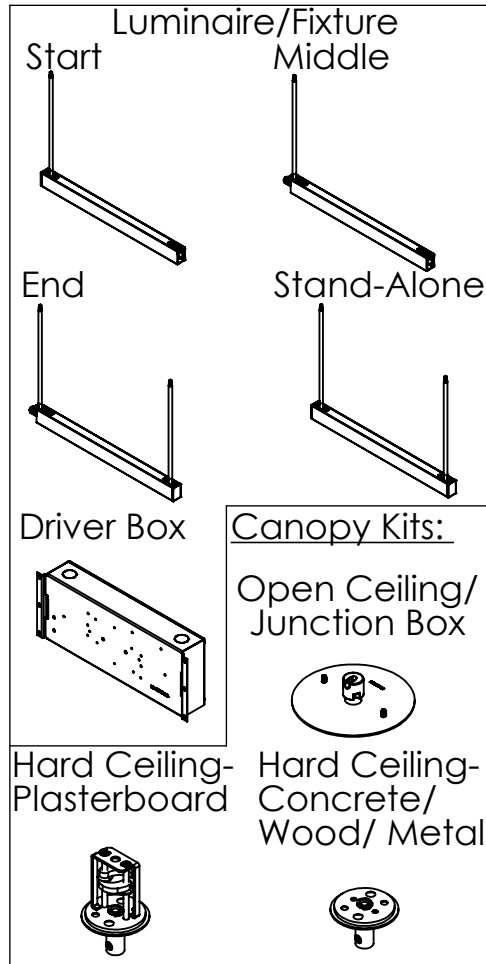
**CAUTION:**

INTER-LUX IS NOT RESPONSIBLE FOR THE STRUCTURAL INTEGRITY OF THE BUILDING TO SUPPORT THE LUMINAIRE. ADDITIONAL BACKING MAY BE REQUIRED.

**ISOMETRIC VIEWS**



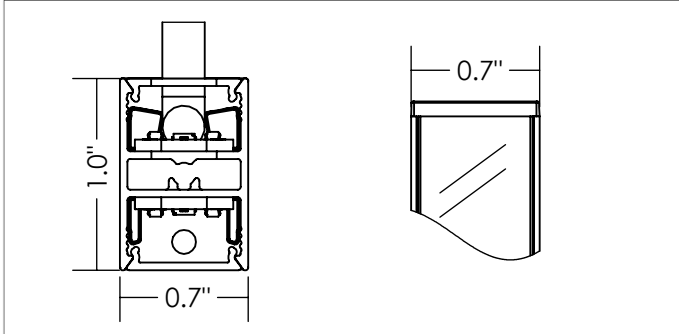
**PACKAGE MAY INCLUDE:** (refer to package list to identify parts)



**ITEMS NEEDED (SUPPLIED BY OTHERS):**

- Phillips Head Screwdriver
- #2 Screwdriver
  
- M3 & M4 Hex head Allen Key
  
- Wire Connectors
  
- Wire Strippers
  
- Drill
  
- 4" Junction Box

**MOUNTING DIMENSIONS**



**MOUNTING OPTIONS**



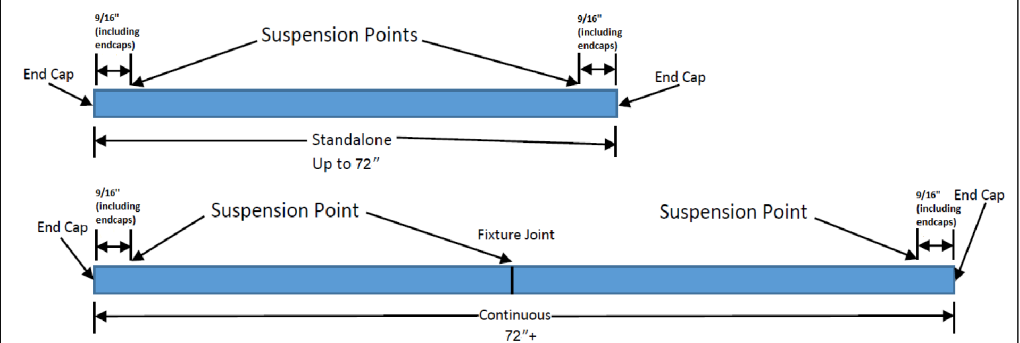
**INSTALLATION INSTRUCTIONS**

LOCATE AND REVIEW ANY CONSTRUCTION PLANS AND INTERLUX RECORD DRAWINGS FOR ALL FIXTURE RUNS. It is recommended to locate and lay out all components for each fixture "run". A fixture run typically consist of lengths of S20 luminaires, suspension kits and power supply(ies). BE SURE TO IDENTIFY ALL CORRECT LENGTHS AND DRIVERS FOR EACH FIXTURE RUN.

**Step 1: Turn Off Power before Installing.** Install and Mount driver boxes per construction plans. Wire high voltage power feeds and dimming or control leads if applicable. See wiring diagram on next page if needed. Output leads will be connected later after fixtures are installed.

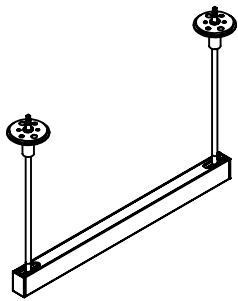
**See Page 2 for Wiring Diagram**

**Step 2:** Mark the position of the fixture suspension points. See diagram below.

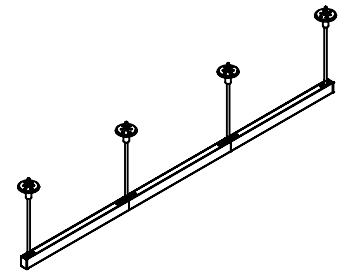
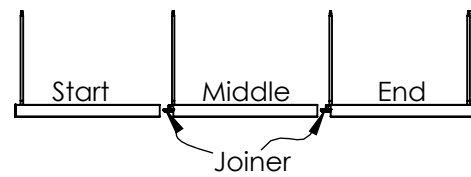
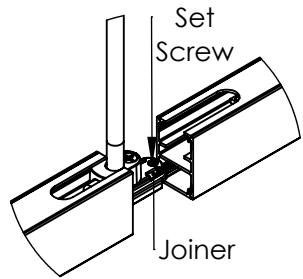


**Step 3:**

**Stand-Alone:** Mount both Canopy kits (See Step 4) to ceiling. Energize and test for proper operation.



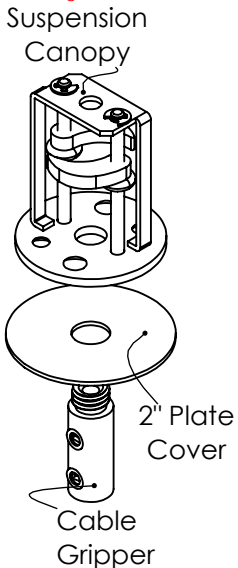
**Continuous Run:** Mount canopy kit (See Step 4) for 1st and 2nd fixture/luminaire. Join 1st and 2nd fixture using pre-installed joiners, secure by tightening set screws. Continue to this pattern until all fixtures are mounted and joined. The last fixture should be the "end" fixture which will have 2 suspension cables pre-installed (one powered and one not powered). Energize and test for proper operation.



**Step 4: Canopy Installation**

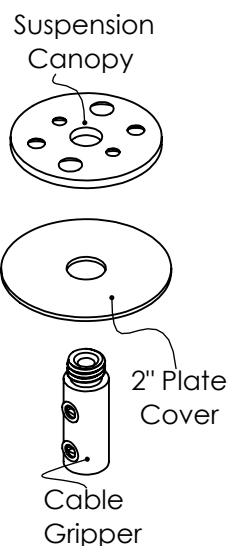
**Hard Ceiling Canopy- Plasterboard**

Max Ceiling thickness of 1 3/8"



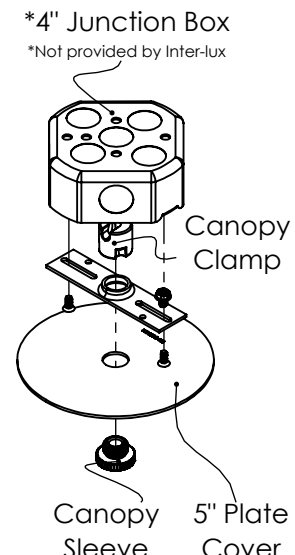
- A. Cut out a 1-1/4" hole at previously marked suspension points.
- B. Fasten cable gripper to the canopy plate.
- C. Route the power cable from the fixture through the cable gripper, canopy plate and suspension mount. Make electrical connections.
- D. Secure the canopy to the ceiling by tightening the captive screws. This will lower and lock the claws onto the ceiling.
- E. Slide the plate cover and cable gripper up and screw into mount.
- F. Level fixture by adjusting the slack out of the power feed cable. Secure power feed cable by tightening cable gripper set screws.

**Hard Ceiling Canopy- Concrete/Wood/Metal**



- A. Drill a hole for the power feed cable or be sure conduit is in place for installation. Drill another hole (0.5") in ceiling to clear cable gripper.
- B. Fasten cable gripper to the canopy plate.
- C. Route the power cable from the fixture through the cable holder, canopy plate and suspension mount. Make electrical connections.
- D. Mount the canopy to the ceiling using appropriate hardware.
- E. Slide the plate cover and cable holder up and screw into mount.
- F. Level fixture by adjusting the slack out of the power feed cable. Secure power feed cable by tightening cable gripper set screws.

**Open Ceiling/Junction Box Canopy**



- A. Fasten canopy sleeve to the canopy plate.
- B. Route the power cable from the fixture through the sleeve, plate, bracket and clamp into J-box. Level fixture and secure cable by tightening set screws. Make electrical connections.
- C. Mount cross bar to J-Box via provided screws.
- D. Mount Canopy plate to J-box, canopy clamp and cross bar via canopy sleeve.

**INSTALLATION INSTRUCTIONS**



**WARNING:**

INSTALL PRODUCT IN ACCORDANCE WITH LOCAL AND NATIONAL ELECTRICAL CODES BY A QUALIFIED ELECTRICIAN OR ELECTRICAL CONTRACTOR.



**WARNING:**

FAILURE TO COMPLY WITH THE INSTALLATION INSTRUCTIONS MAY RESULT IN DEATH OR SERIOUS INJURY



**WARNING:**

READ ALL SAFETY INSTRUCTIONS INCLUDED WITH LUMINAIRE BEFORE INSTALLING LUMINAIRE.

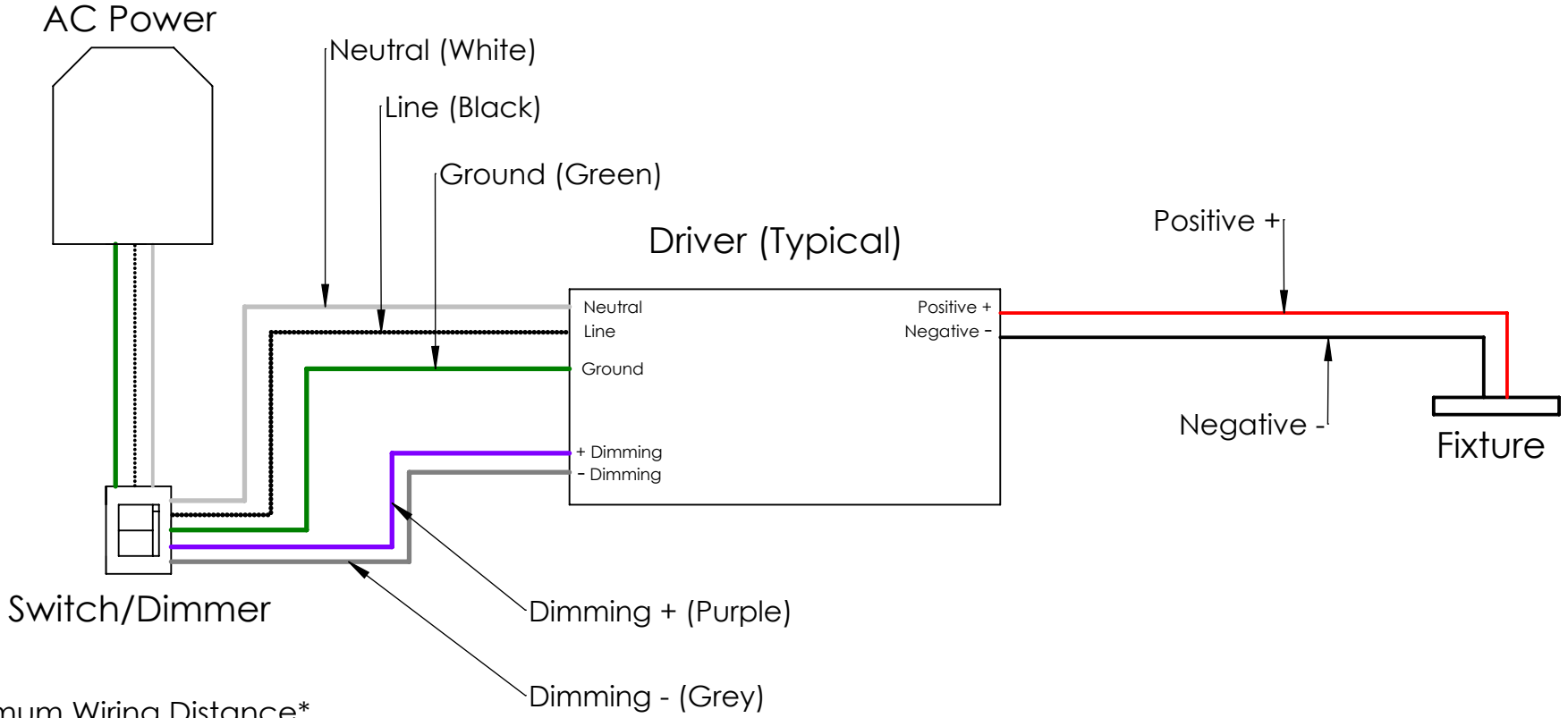
**CAUTION:**

THIS IS AN ELECTRONIC DEVICE. CARE MUST BE TAKEN DURING STORAGE AND HANDLING. STORE IN A CLEAN, COOL AND DRY LOCATION. ELECTROSTATIC DISCHARGE (ESD) CAN HARM THIS PRODUCT. AVOID STATIC DISCHARGE WHILE HANDLING THIS PRODUCT.

**CAUTION:**

INTER-LUX IS NOT RESPONSIBLE FOR THE STRUCTURAL INTEGRITY OF THE BUILDING TO SUPPORT THE LUMINAIRE. ADDITIONAL BACKING MAY BE REQUIRED.

**Wiring Key**



Maximum Wiring Distance\*

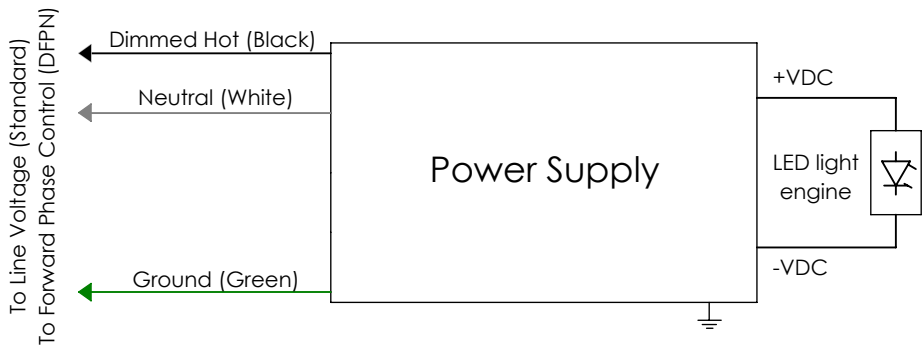
Wire Gauge	Maximum Lead Length			
	Osram			Lutron
	≤ 48W	≤ 72W	≤ 96W	≤ 40W
#18AWG	37'	25'	18'	15'
#16AWG	59'	39'	29'	25'
#14AWG	95'	63'	47'	40'
#12AWG	151'	101'	75'	60'

\*Actual Voltage drop to be calculated by installer

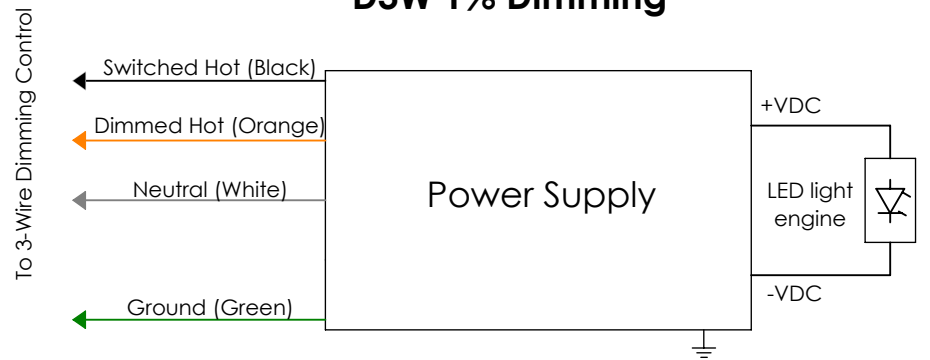
Red	Black	Green	Black	White	Purple	Grey
Positive	Negative	Ground	Line	Neutral	Dimming +	Dimming -

**Driver Wiring Diagrams**

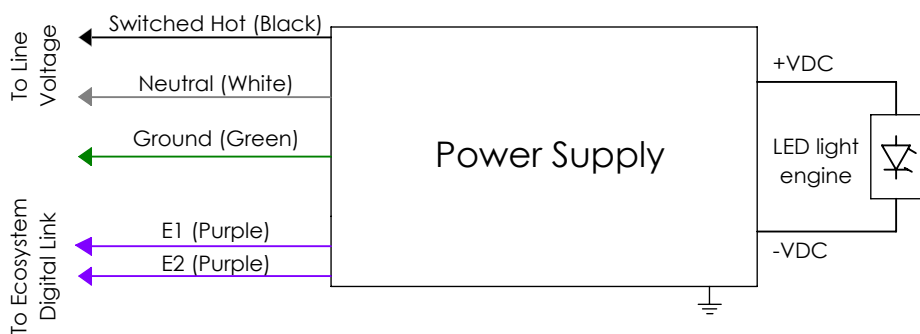
**Standard Non-Dimming/DFPN Dimming**



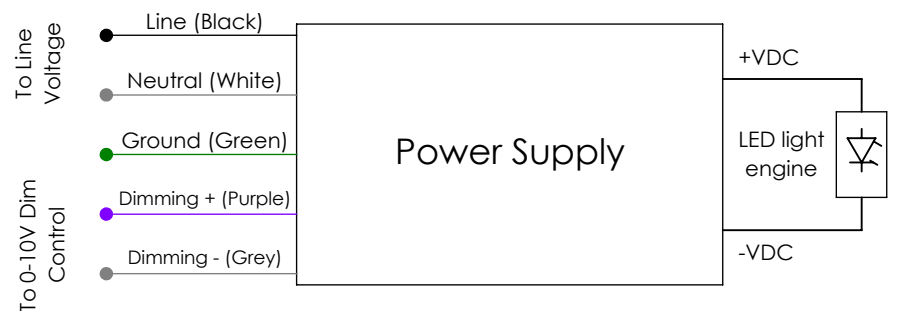
**D3W 1% Dimming**



**DES 1% Dimming**



**0-10V Dimming**



**NOTE: ALL DRIVERS ARE INTER-LUX PROVIDED. FOR NON INTER-LUX DRIVERS PLEASE REFER TO DRIVER MANUFACTURERS. THE USE OF NON INTER-LUX DRIVERS VOIDS PRODUCT WARRANTY**