



Ordering Information¹

Model	Power	Color	Optics	Voltage	Finish	Options
F CRD60	H	27 30 35 40	SP NR EL FL	24	G W	C1 C2 C3

¹Specify remote power supply separately below.

Luminaire

- Machined aluminum housing for heat dissipation
- Anodized + powder coated aluminum construction
- Regressed LED with Anti Glare system
- Available in various lumen output, distribution and accessories.
- IP67, UL STD 1598, wet location for indoor and outdoor use
- Supplied with a 3.3' cable (standard)

Optics

- SP = spot - 26°
- NR = narrow - 42°
- EL = Elliptical 60°x10°
- FL = Flood 68°

Voltage

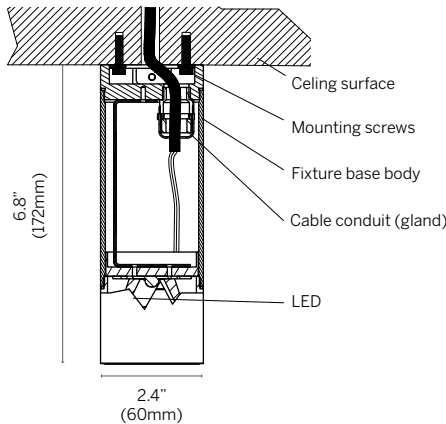
- 24 = 24VDC fixture voltage (remote driver required)

Finish

- G = Anthracite grey (RAL7016) structure
- W = White (RAL9003) structure

Options

- C1 = 10' (3m) feed cable
- C2 = 20' (6m) feed cable
- C3 = 30' (9m) feed cable



Size

- 2.4"∅ (60mm) x 6.8" H (172mm)

Power

- H = 8W, 3000K, 675 lm

Color Temperature

- 27 = 2700K
- 30 = 3000K
- 35 = 3500K
- 40 = 4000K
- 2 Step MacAdam
- CRI: > 85

Power Supply² (Remote)

Dim

- OT96-D010: Osram, 10% 0-10V dim, 96W, 24VDC, 120-277VAC, remote mounted, supplied in a dry location enclosure

²See power supply specsheet for details. No enclosure, unless stated. Im80 values shown.