


B60LDL – Bezel 60 Linear Downlight

Hard Ceiling Installation Instructions

Page 1

- **Please read entire instruction before beginning installation.**
- Keep all instructions for future reference.
- Any modification of the luminaire voids any and all written or implied warranty.
- Manufacturer accepts no responsibility for damage to persons or property arising through installation or use.

 • Risk of Fire/Electric Shock. Disconnect power at fuse or circuit breaker before installing. Failure to do so may result in personal serious injury.

 • Risk of Fire/Electric Shock. Fixture must be installed in accordance with local and/or National Electrical Code.

 • Installation and maintenance should only be performed by a qualified electrician.

Unpacking Instructions

Before you begin, please un-pack, identify and inspect all components. Per the TERMS AND CONDITIONS OF SALE, please contact Inter-lux if any items are found to be damaged or missing.

Fixtures will be packaged in multi-pack boxes or individually for smaller quantities. Individual fixtures are identified similar to:

Fixture

WG-HSG-96000-B60LDL-F

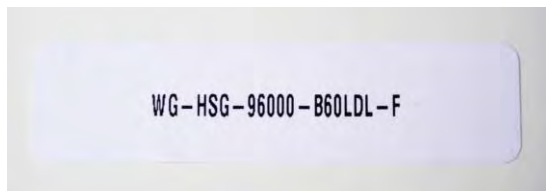
Description

Whitegoods B60LDL Housing Assembly, 96.000” L, Feed

WG-GT-60LDL-47400-H-830-UNV-D010-MA

Whitegoods 60LDL Gear tray, 47.400” L, High Power, 80CRI, 3000K, 120-277V, Dimming, Master

In addition to box labels, each fixture will be individually labeled on the back as shown:



The following page shows all possible parts for the B60LDL. Not all items are needed for every installation. Refer to your specific packing list to identify parts.

Once all items are identified and sorted, proceed to installation steps.

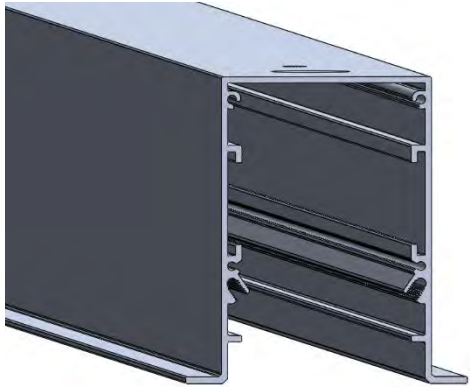
Technical Support Line (410) 381-1497

B60LDL – Bezel 60 Linear Downlight

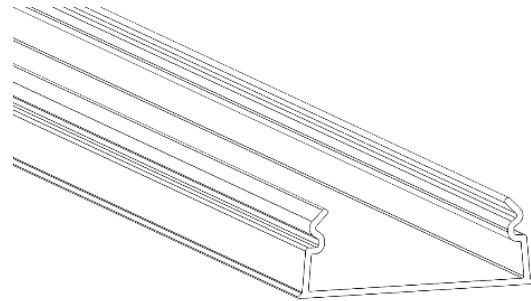
Hard Ceiling Installation Instructions

Page 2

Parts Identification (not to scale)



B60LDL Housing WG-HSG-(LENGTH)-B60LDL

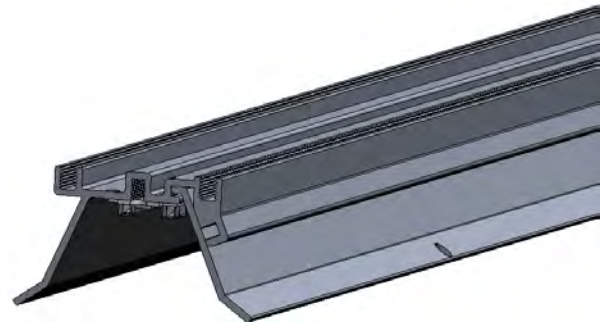


60LDL Opal Diffuser 710-10325-400



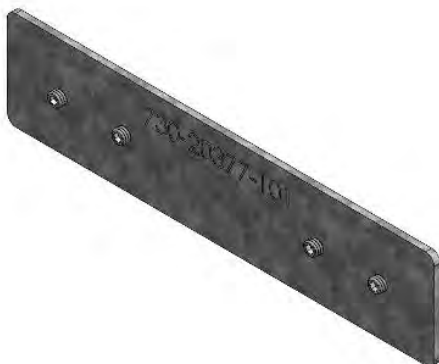
60LDL Master Gear tray (with attached LED driver)

WG-GT-60LDL-(LENGTH)-MA



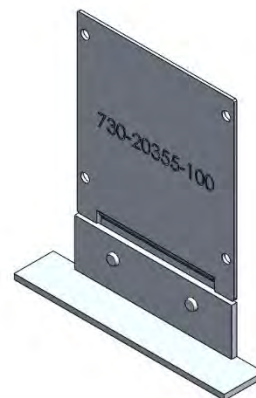
60LDL Satellite Gear tray (without LED driver)

WG-GT-60LDL-(LENGTH)-SA



Flat Joiner

730-20377-101



B60LDL End Cap

820-00005-304

B60LDL – Bezel 60 Linear Downlight

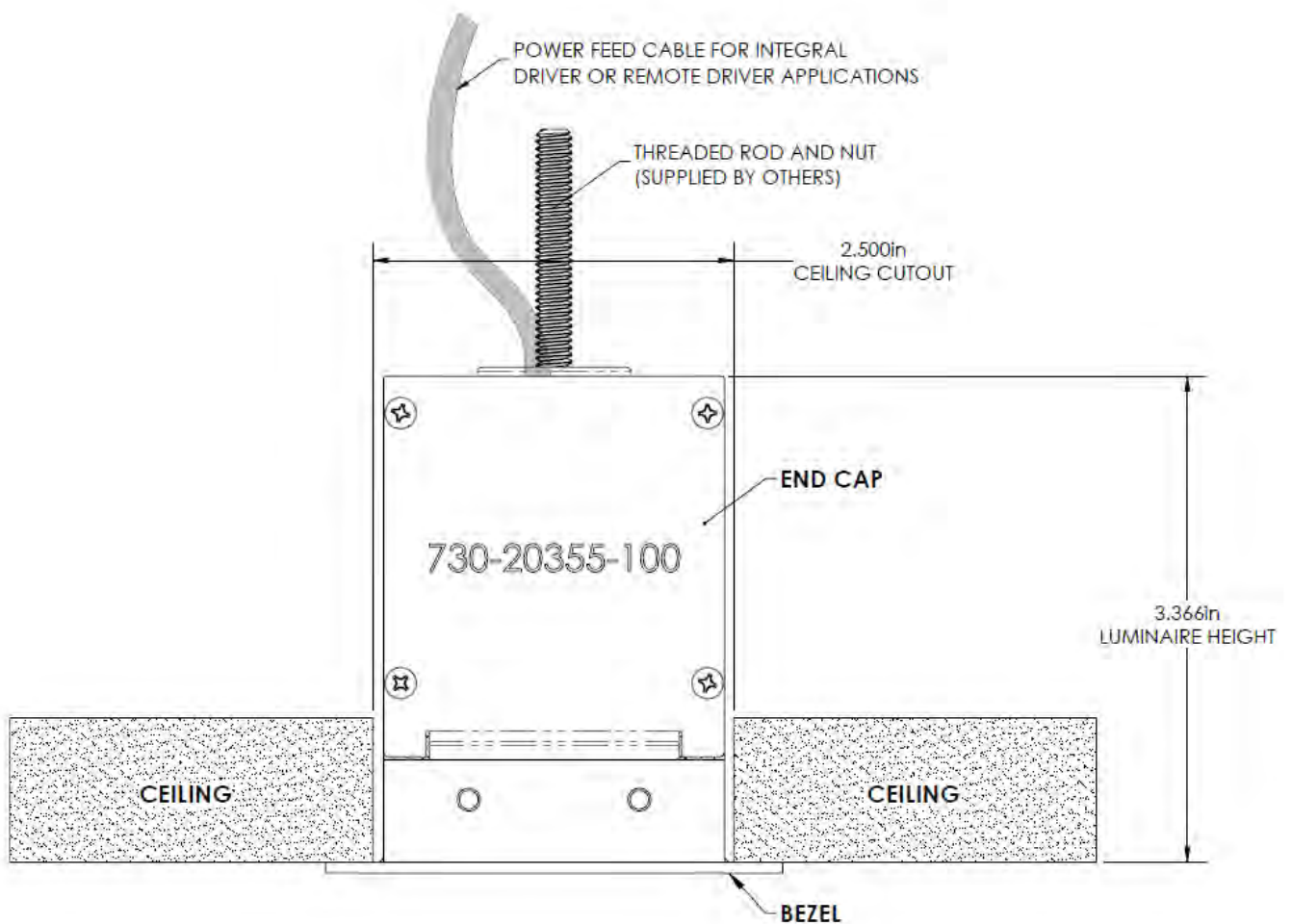
Hard Ceiling Installation Instructions

Page 3

Installation Instructions

Locate and review any construction plans and the Inter-lux Record Drawings for all fixture runs.

NOTE: It is recommended to locate and lay out all components for each fixture “run”. A fixture run typically consists of endcaps, joiners, lengths of housings, lengths of 60LDL gear trays and driver boxes (if applicable). Housing and light fixture lengths may be similar in appearance but slightly different in length. Gear trays may be similar in appearance but contain different power supplies. Be sure to identify all the correct housing and gear tray lengths for each fixture run.



B60LDL – Bezel 60 Linear Downlight

Hard Ceiling Installation Instructions

Page 4

Install Fixture



The fixture must be mounted and wired in accordance with the National Electric Code (NEC) as well as applicable State and Local codes and jurisdictions.



WARNING: DO NOT HOT-PLUG. Power must be off until all connections are made. LED damage will occur if drivers are powered/energized while making connections.

Hard Ceiling– Standalone Luminaire (up to 8ft)

NOTE: Minimum ceiling thickness of 0.5in (12.7mm).

1. Cut Out:

Mark and cut gypsum/plaster board/drywall for desired location of the housing.

Cut Out Length = Fixture Length + 0.25in

Cutout Width = 2.5 in +/- 0.1in

2. Mounting Preparations:

The housing must be mounted securely and flat against the ceiling. It is recommended that the housing be supported by threaded rod and hex nut (supplied by others) in back of housing. Remove supplied diffuser from housing and replace after complete installation.

3. Mounting:

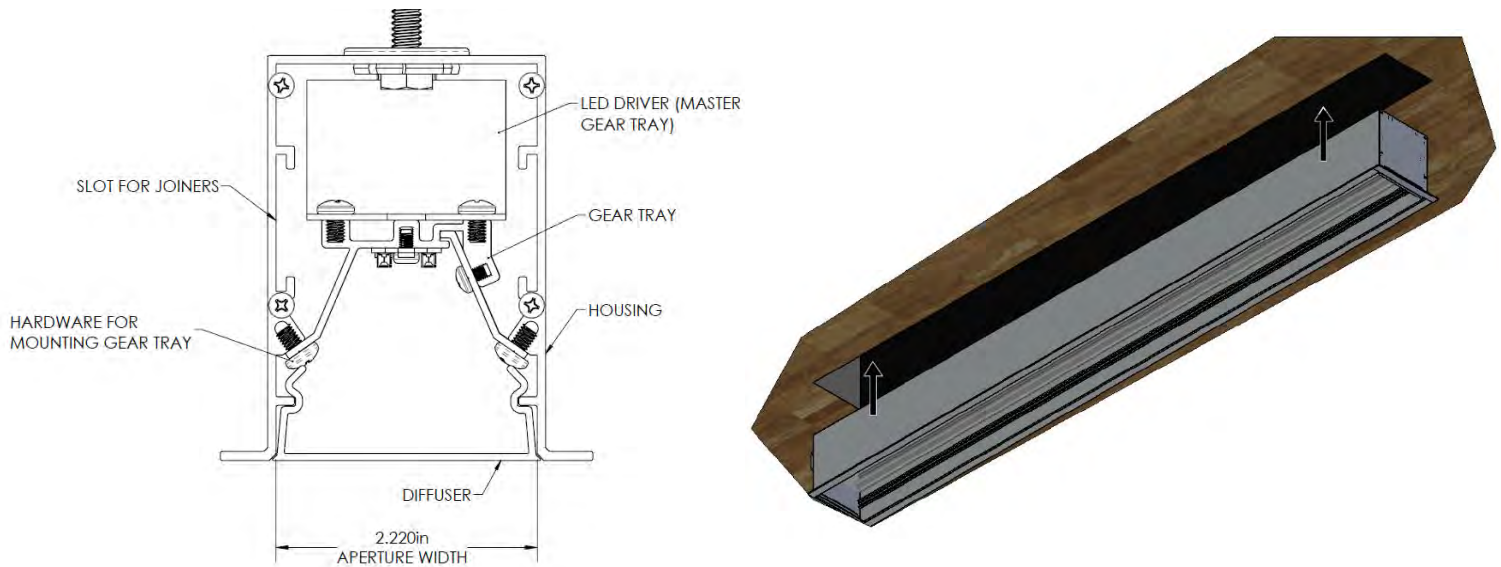
Step 1: Insert housing so that housing flanges are pressed against the ceiling. The aperture width of 2.22” **must be** maintained throughout linear run or diffuser will not stay in housing. Then, secure housing either by threaded rod (supplied by others).

Step 2: Feed power cables into linear housing where applicable.

B60LDL – Bezel 60 Linear Downlight

Hard Ceiling Installation Instructions

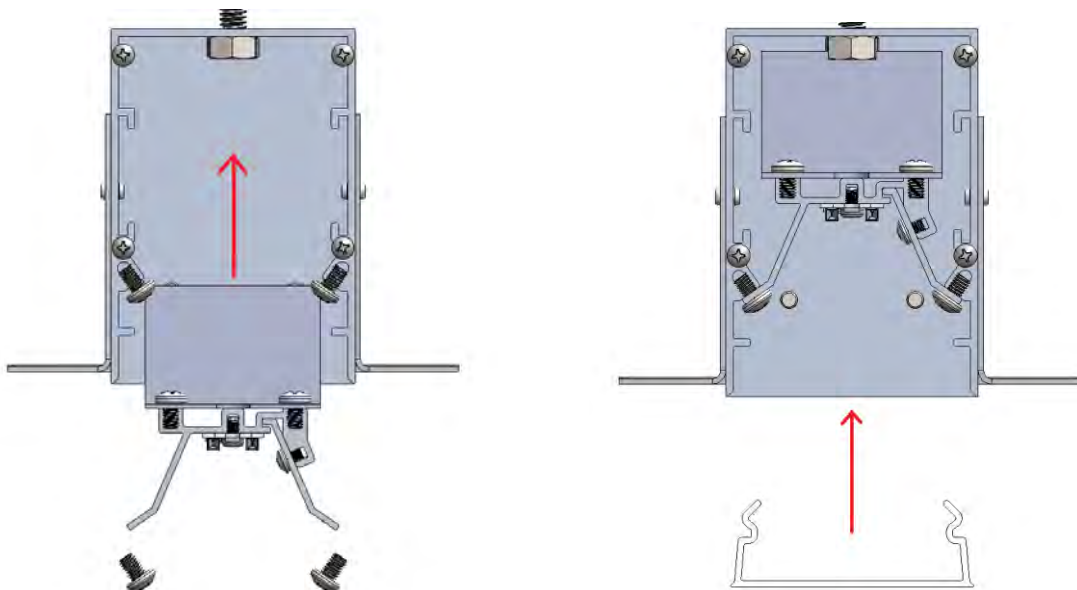
Page 5



Step 3: Install 60LDL Gear tray by making electric connections first then insert gear tray into housing. Ensure no interference with driver on gear tray and threaded rod in back of housing. Secure gear tray to housing with provided M4 x 6mm phillips head screws in predrilled holes.

Step 4: Repeat step 3 for any remaining gear trays.

Step 5: Install Diffuser and ensure its flush along length of run.



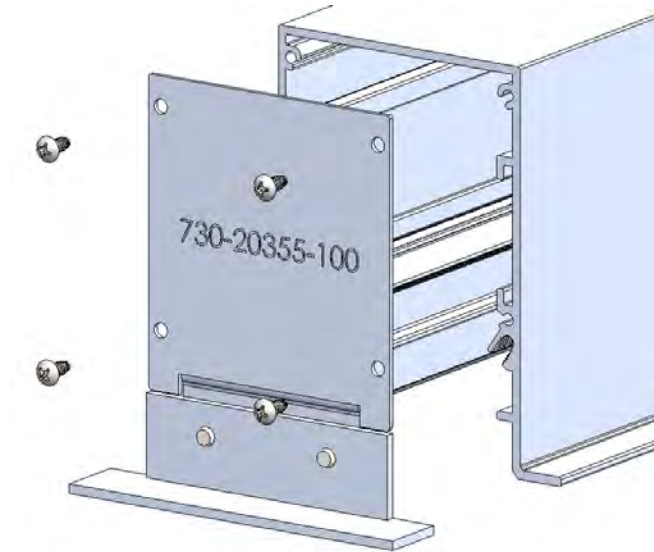
Step 6: Energize luminaire and test for proper operation.

B60LDL – Bezel 60 Linear Downlight**Hard Ceiling Installation Instructions**

Page 6

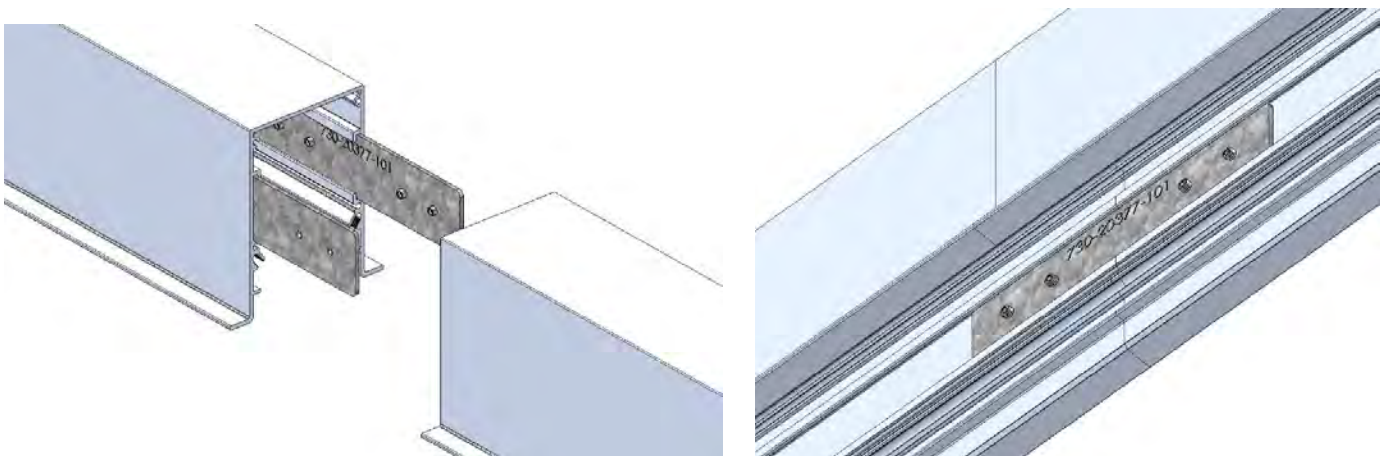
Hard Ceiling – Continuous Luminaire (longer than 8ft)**NOTE:** Minimum ceiling or wall thickness of 0.5in (12.7mm).

Follow the Cutout and Preparation steps along with mounting steps 1- 2 of the Standalone Luminaire section. Install end cap at start of linear run using supplied 4x #4-40 phillips screws.

**3. Mounting**

Step 1: After the first housing in continuous run is installed, insert 2X flat joiner into slot on each side of housing.

Step 2: Insert next housing into ceiling and line up with first housing. Slide flat joiner so that it's inside of both housings and snug the set screws by 2mm Size Hex Alley Wrench (supplied by others). Support next linear housing by threaded rod (supplied by others). Ensure aperture width of 2.22" is maintained throughout linear run.



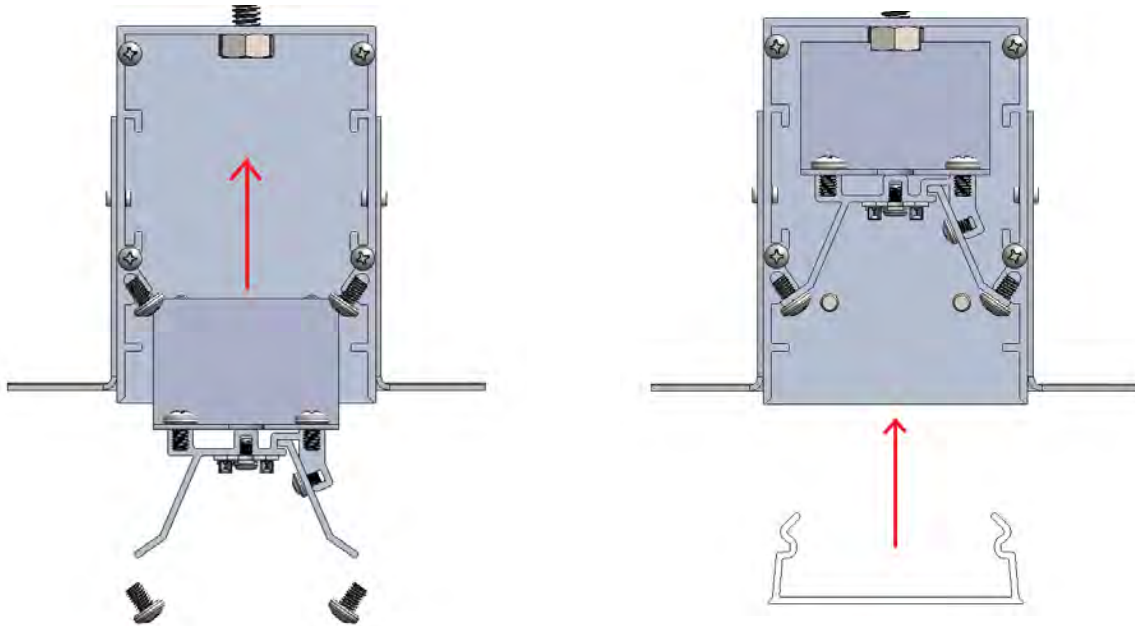
B60LDL – Bezel 60 Linear Downlight

Hard Ceiling Installation Instructions

Page 7

Step 3: Repeat step 1 and 2 until end of the linear run. Attach end cap on the last housing of linear using 4x #4-40 phillips screws.

Step 4: Feed power cables into housing where applicable



Step 5: Install 60LDL Gear tray by making electric connections first then insert gear tray into housing. Ensure no interference with driver on gear tray and threaded rod in housing (if applicable). Secure gear tray to housing with provided M4 x 6mm phillips head screws in predrilled holes. Repeat for remaining gear trays in linear run.

Step 6: Install Diffuser and ensure its flush along length of run.

Step 7: Energize and test for proper operation.

Technical Support Line (410) 381-1497