

## Assembly instruction

Date: 06.09.2018

### AVVENI PENDANT 3 / 4 / 5 / 6 / 8

#### Assembly Instructions

The light fixture may only be installed by qualified staff. Qualified staff are persons who are familiar with the installation and first-time operation of the product and who have corresponding qualifications, e.g.:

- Trained electricians or persons who have received training in electrotechnology.
- People who have received training or instruction on the use of appropriate safety equipment according to the safety standards for electrical circuits.
- People who have received training or instruction on first aid and accident prevention.



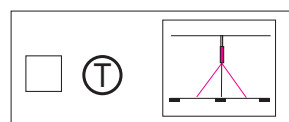
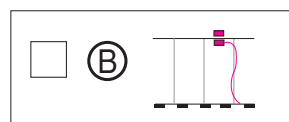
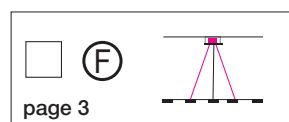
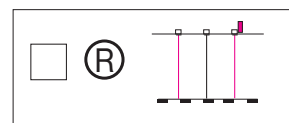
#### Dangers

- Ensure that the main power supply is switched off!
- Danger of serious injury due to electric power!
- Prior to installation or removal of the luminaire and the light source, verify that the device is volt-free.

In case of any malfunction, contact your local specialist retailer.

#### Assembly Option

— supply line 36 V



#### Dimming

- dimmer interface 0-10V
- dimmer interface 1-10V

- DALI interface
- CASAMBI interface

#### Scope of Delivery

##### Package 1

- |   | Teil | Quantity |
|---|------|----------|
| <input type="checkbox"/> Aluminum frame with 3/4/6 steel cables | ①    | 1 x      |

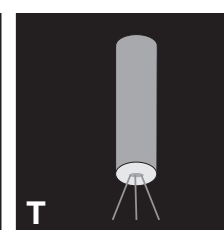
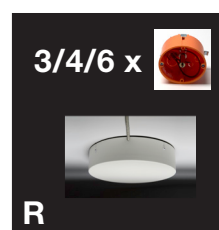
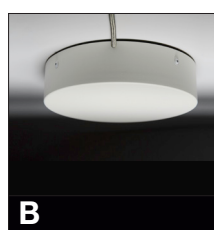
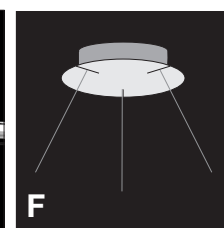
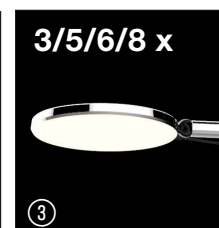
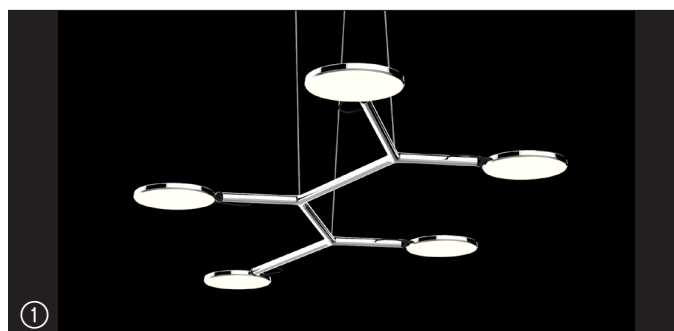
##### Package 2

- |  |   |     |
|--|---|-----|
| <input type="checkbox"/> Gloves                | ② | 1 x |
| <input type="checkbox"/> Screwdriver           |   | 1 x |
| <input type="checkbox"/> Assembly Instructions |   | 1 x |

- |  |   |                     |
|--|---|---------------------|
| <input type="checkbox"/> Light heads with ball joint | ③ | 3 / 4 / 5 / 6 / 8 x |
|--|---|---------------------|

#### Assembly Options

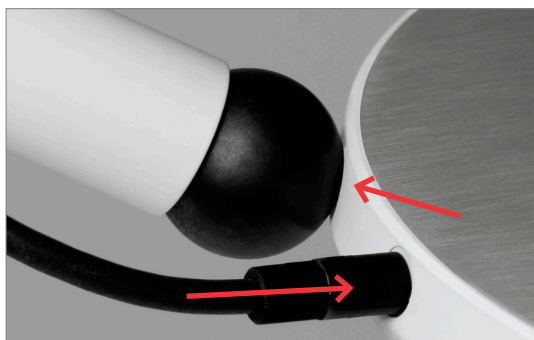
- |  | Version |
|--|---------|
| <input type="checkbox"/> Canopy including technical unit   | F       |
| <input type="checkbox"/> Canopy including technical unit and separate supply line                    | B       |
| <input type="checkbox"/> 3/4/5/6/8 x flush-mounting box and separate canopy for intermediate ceiling | R       |
| <input type="checkbox"/> Pendant canopy including technical unit                                     | T       |



## Assembly instruction

Date: 06.09.2018

## AVVENI PENDANT 3 / 5 / 6 / 8

**Mounting of Light Heads**

1. Unpack the light head and carefully attach the metal ball to the magnetic holder of the luminaire structure ①.
2. Insert the pre-assembled cables into the corresponding socket on the light head.
3. Further assembly instructions see assembly option sheets F, B, R and T

For pendant luminaires we recommend the assembly of the light heads ③ after the installation of the main luminaire structure. Then align the luminaire and shorten the suspension cables if necessary.

**Replacement / Removal of Light Heads**

Disconnect the supply cable from the light head. When replacing or removing the light heads, lever each light head out on the side via the finger or a soft object. The frontal removal of the light head needs to be avoided as it can damage the luminaire. When removing the light head, the direct contact with the luminaire structure is to be avoided as well, as it can lead to damage.

**Maintenance Tip Magnetic Holder**

Keep the round magnetic holder free from oil and greases in order to avoid a reduced adhesive strength of the magnetic joint. We recommend cleaning it regularly, using appropriate cleaning detergents.

**Maintenance Tip Surfaces**

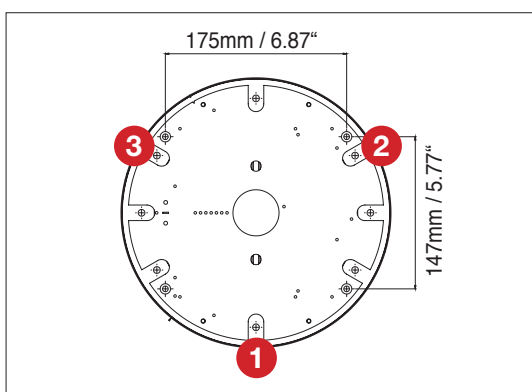
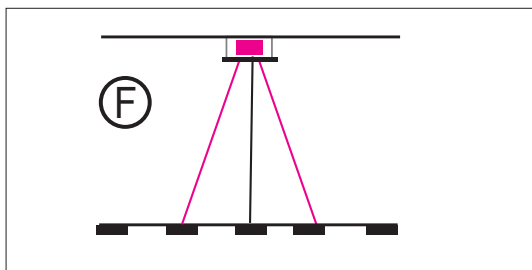
Please clean the coated luminaire surfaces solely with a dry or damp cloth. The use of solvent-based detergents can damage the varnished, polished or brushed surfaces.

**> Further assembly instructions see sheets F, B, R and T**

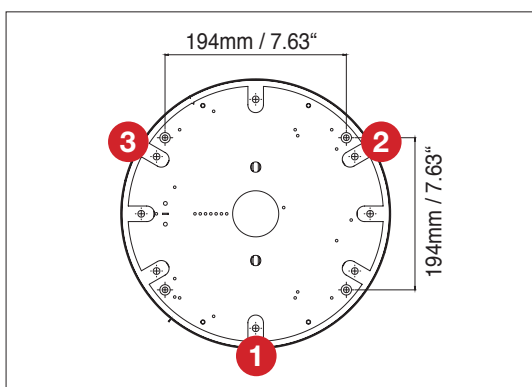
## Assembly instruction

Date: 06.09.2018

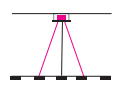
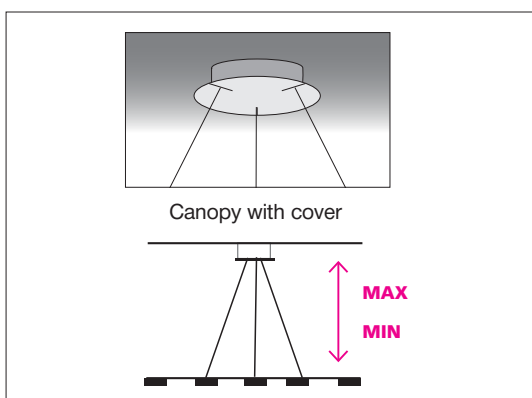
### Luminaire with ceiling canopy – Connecting the light fixture to live cables



AVVENI Pendant 3  
Canopy Ø 290 mm / 11.4" with 3 steel cables



AVVENI Pendant 5, 6  
Canopy Ø 350 mm / 13.7" with 3 steel cables



AVVENI Pendant 3  
AVVENI Pendant 5  
AVVENI Pendant 6

### Mounting the Canopy



**Verify sufficient load-bearing capacity of the ceiling!**

1. Position the canopy on the ceiling (for this, see dimension drawings pages 4, 5, 6).
2. Fasten the canopy base to the ceiling at the 4 mounting points. Ø 6mm/1/4" drill and wall plug (see dimension drawing on the left).
3. Connect the power supply and the control signal to the terminal block of the canopy (see wiring diagram on page 17).

### Connecting the Luminaire

4. Fasten the luminaire body to the canopy with 3 cables by use of the provided cable holds and align the luminaire by applying slight pressure to the cable holds. Observe the minimum/maximum suspension height (see table below).



**Observe the polarity of the live cables according to the markings on the luminaire and the canopy.**



**Never adjust the suspension under load to avoid damage to the steel cables.**

5. Lock the cable holds on the canopy by use of the insulated milled screw.
6. Shorten protruding steel cables to avoid short circuits.



**Shortened cables may ONLY be replaced by the manufacturer.**

7. Check the luminaire functions.
8. Mount the canopy lid and fasten with the lateral screws.

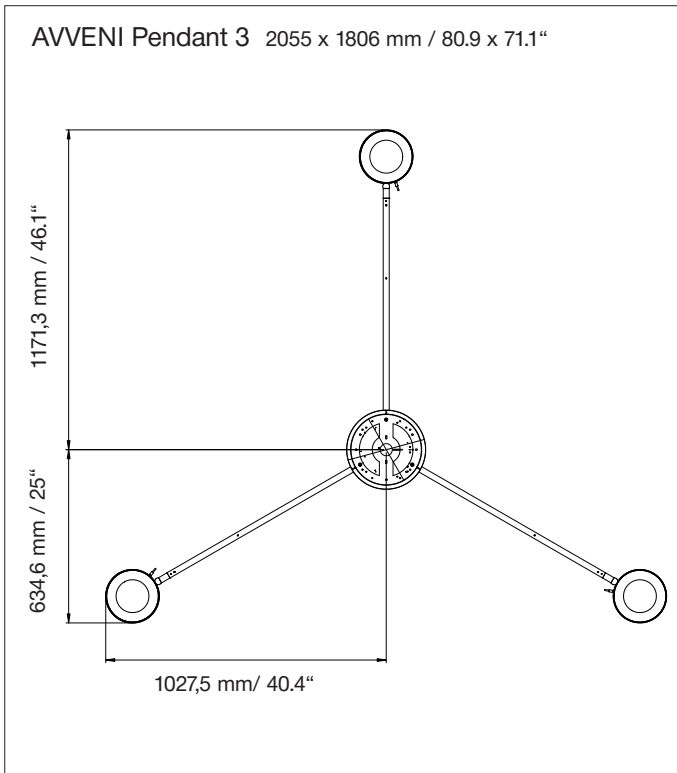
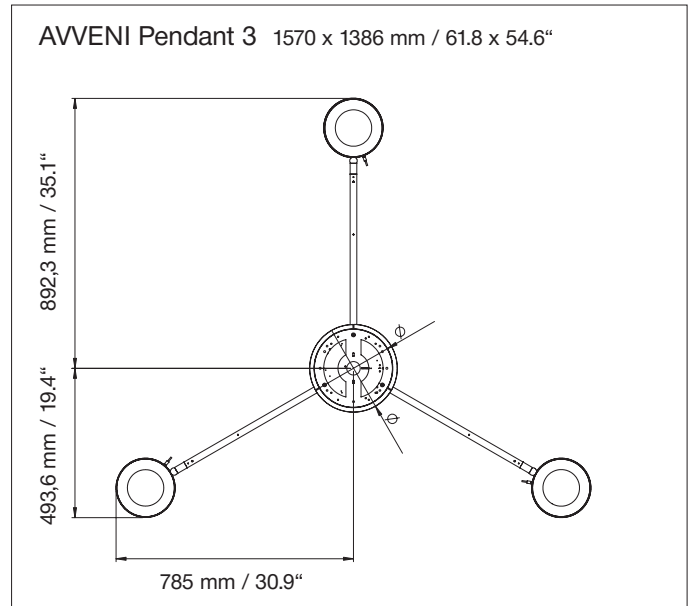
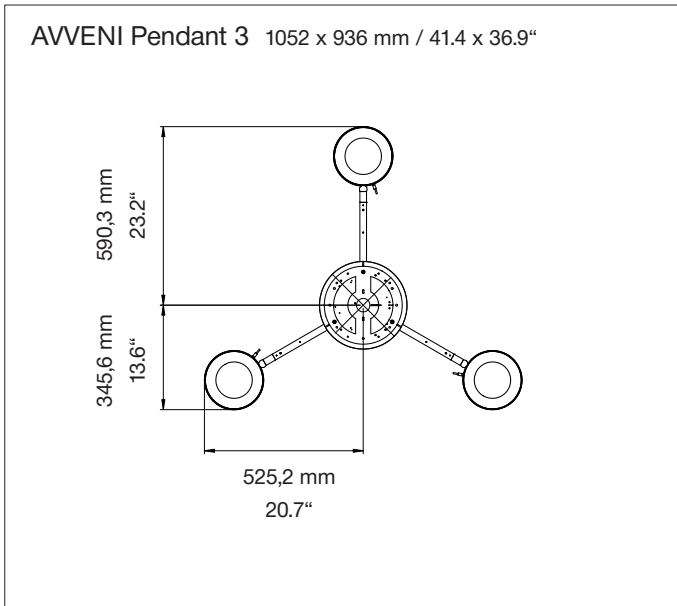
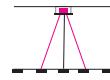
### Ceiling distance:

Luminaire	Version	Min./Max.Suspension Height	
		MIN. / mm	MAX. / mm
Pendant 3 / 1050 x 936		229	2800
Pendant 3 / 1570 x 1386		429	2800
Pendant 3 / 2055 x 1806		617	2800
Pendant 5 / 2200 x 1050	1	439	2800
Pendant 5 / 2960 x 1111	2	616	2800
Pendant 5 / 1960 x 1370	3	669	2800
Pendant 6 / 1625 x 1434	1	471	2800
Pendant 6 / 1950 x 1800	2	459	2800

Assembly instruction

Date: 06.09.2018

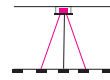
**Luminaire with ceiling canopy –  
Canopy Position:**



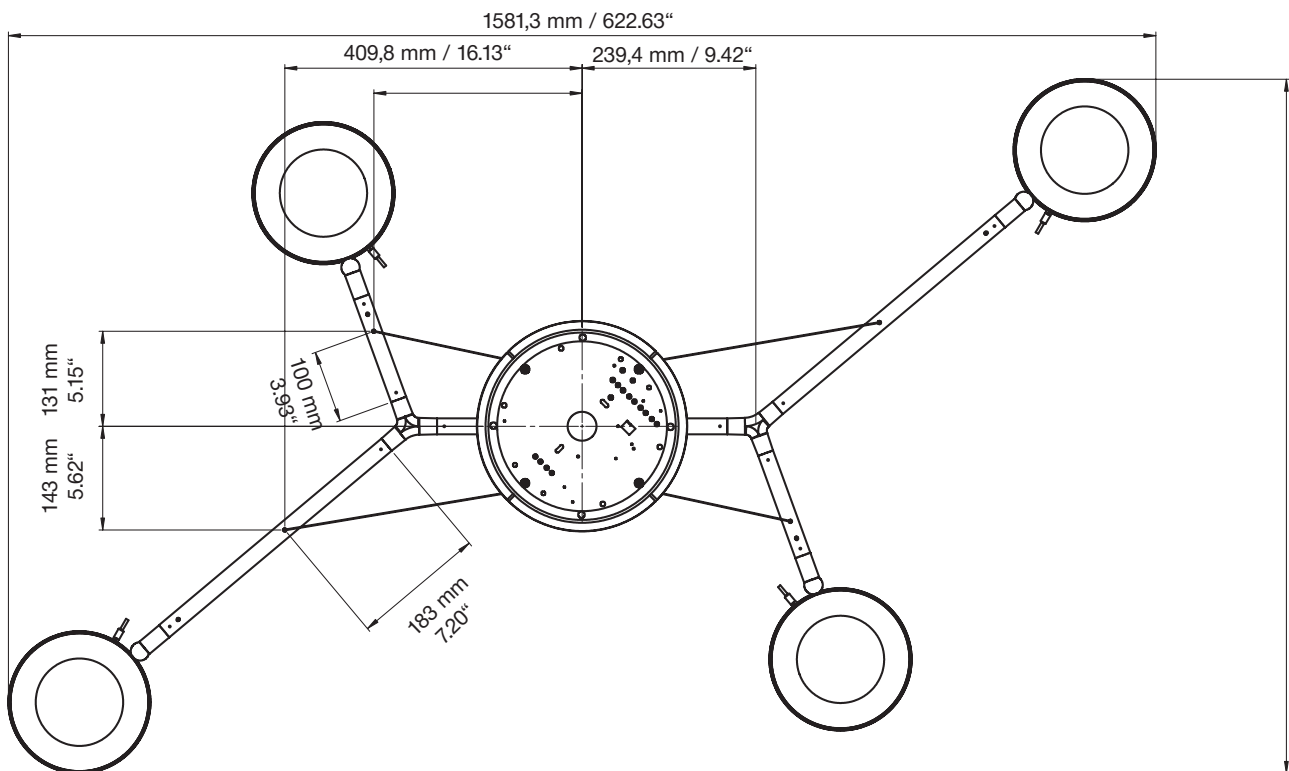
Assembly instruction

Date: 06.09.2018

**Luminaire with ceiling canopy –  
Canopy Position:**



AVVENI Pendant 4 1581 x 957 mm / 62.2 x 37.6"

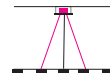


When attaching the canopy cover, the luminaire can be slight twisting please take into account during assembly.

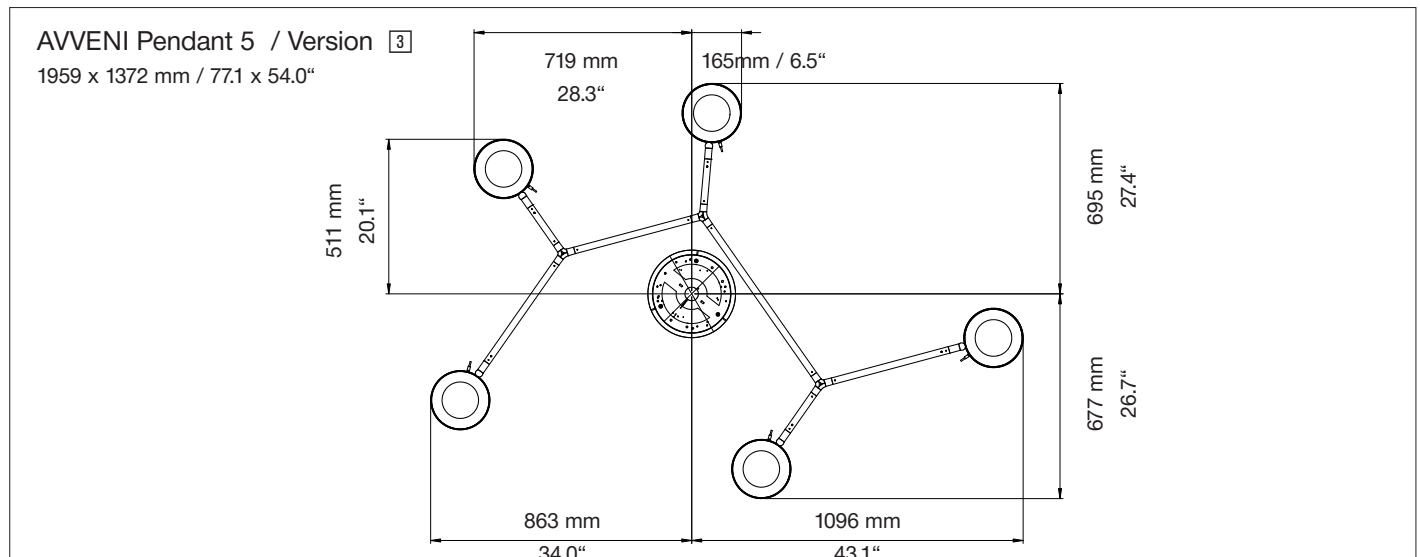
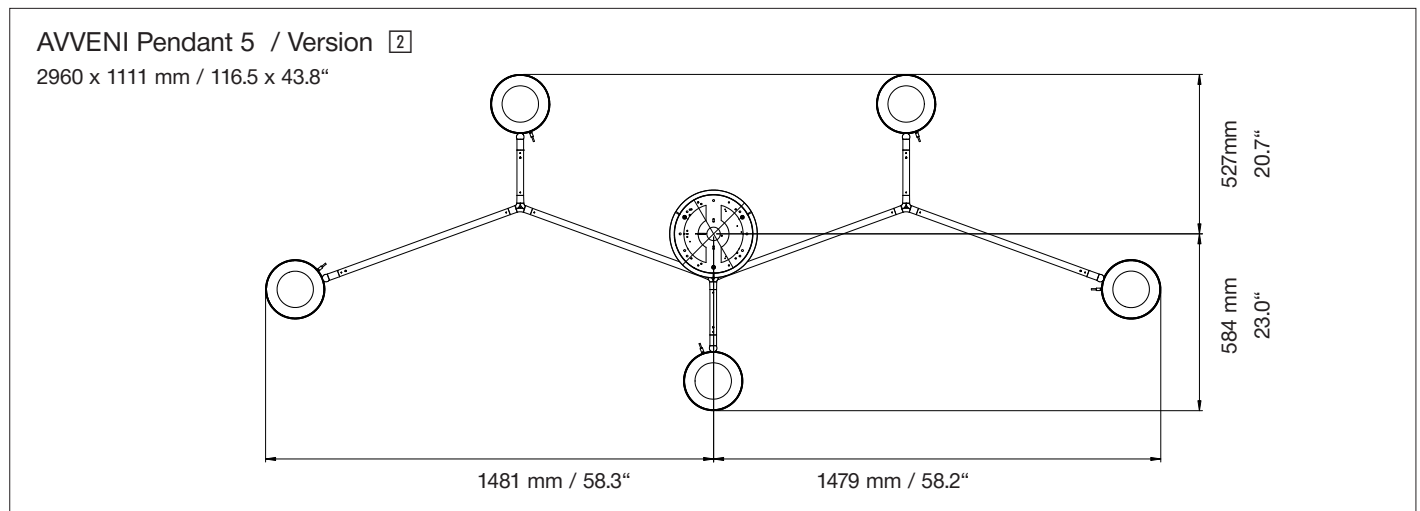
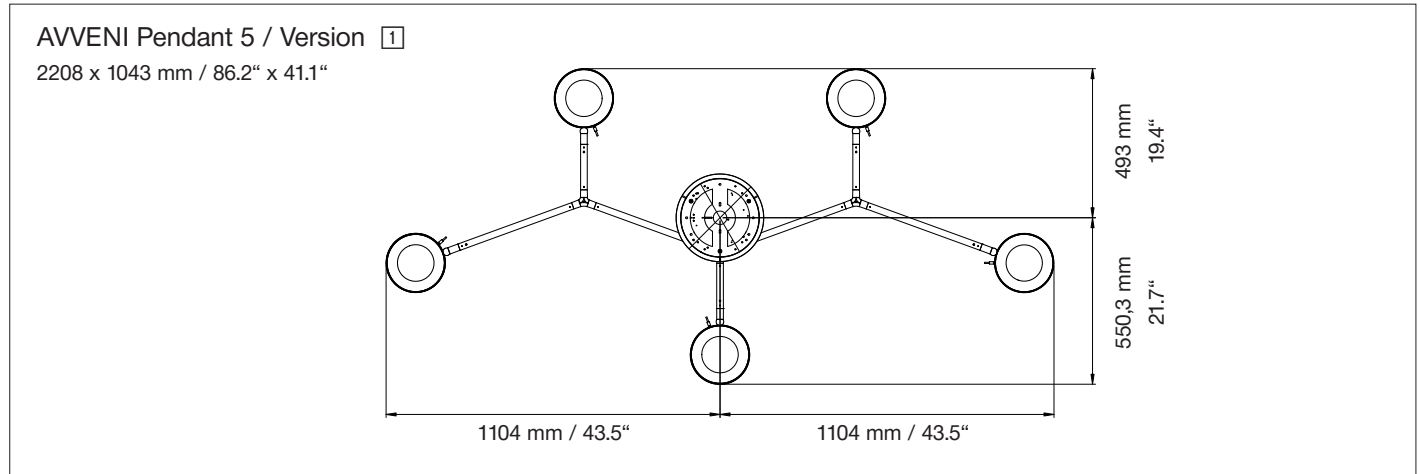
Assembly instruction

Date: 06.09.2018

**Luminaire with ceiling canopy –  
Canopy Position:**



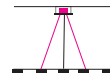
AVVENI Pendant 5



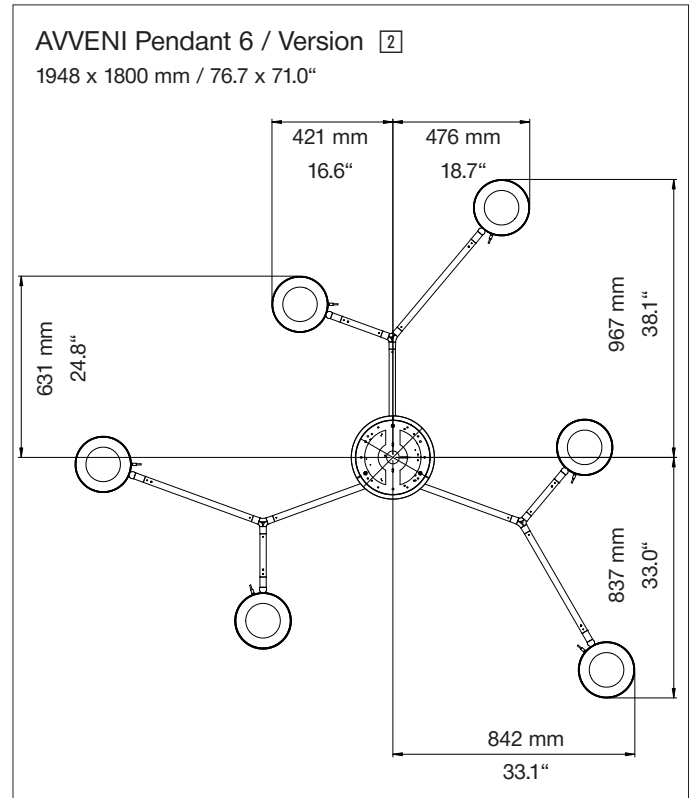
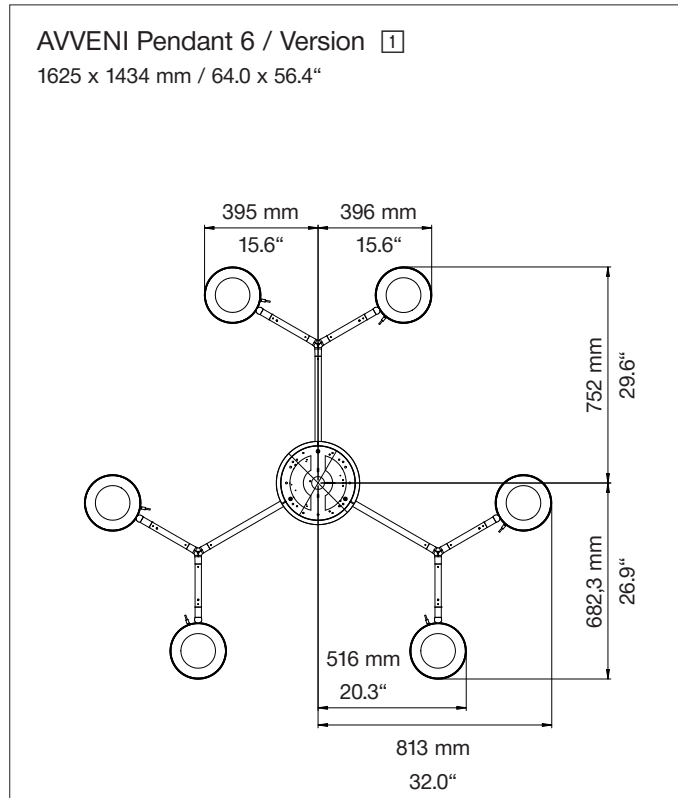
Assembly instruction

Date: 06.09.2018

Luminaire with ceiling canopy –  
Canopy Position:



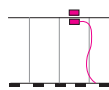
AVVENI Pendant 6



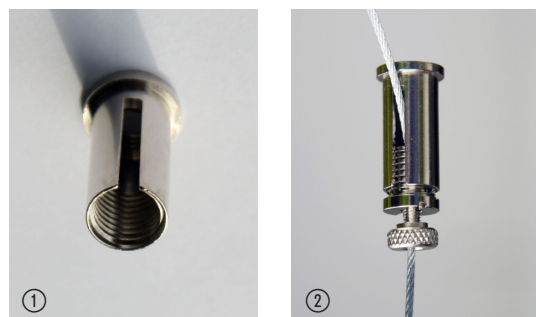
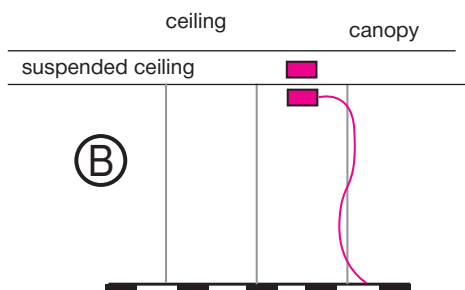
# Assembly instruction

Date: 06.09.2018

## Luminaire with steel cable suspension – Connecting the luminaire with separate canopy



AVVENI Pendant 3  
AVVENI Pendant 5  
AVVENI Pendant 6  
AVVENI Pendant 8



### Mounting the Cable Holds, Luminaire Assembly



**Verify sufficient load-bearing capacity of the ceiling!**

1. On the ceiling, mark the 3/4/6 suspension points of the luminaire according to the hole pattern on pages 10-15 (observe different dimensions).
2. Drill holes measuring  $\varnothing$  6mm / 1/4", insert the wall plugs and fasten cable holds according to picture ①.

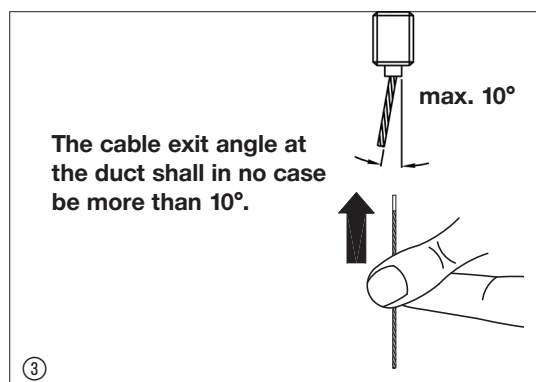


**Verify that the cables are not damaged. The duct of the cable hold needs to exhibit noticeable spring pressure before use. In order to ensure full load bearing capacity, the cables need to be free from greases, oil and rust. The cable holds may only be used in connection with the provided suspension cables and for idle and static loads, see picture ③.**

3. Insert the pre-assembled steel cables into the cable holds.
4. Put the luminaire into the desired position and adjust it by applying slight pressure to the cable hold. Prior to this, mount the light heads. The different incline of the light heads can alter the horizontal position of the luminaire, thus making it necessary to readjust the cables.
5. If available, lock the cable holds by use of the milled nut.
6. Shorten protruding steel cables.



**Shortened cables may only be replaced by the manufacturer.**

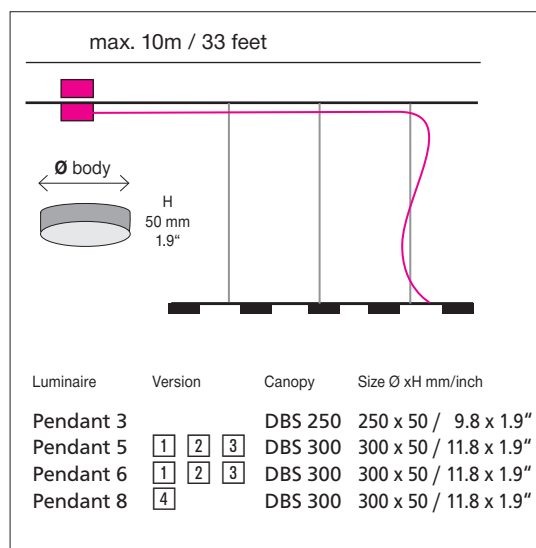


### Mounting of Canopy, Connecting the Luminaire



**Power supply from canopy to luminaire max. 10m / 33 feet**

7. On the ceiling, mark the 4 suspension points of the canopy base. Drill holes measuring  $\varnothing$  6mm / 1/4", insert the wall plugs and fasten the canopy.
8. Connect primary terminals according to connection diagram (pages 18-19).
9. Insert the pre-assembled supply line on the side of the canopy and connect to the terminal block according to the connection diagram (pages 18-19).
10. Check the luminaire functions.
11. Mount the canopy lid and fasten with the lateral screws.

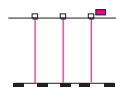




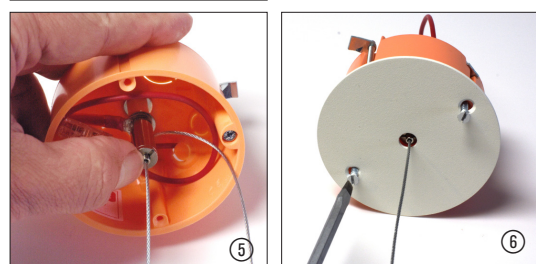
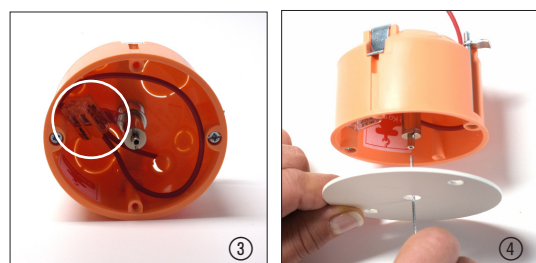
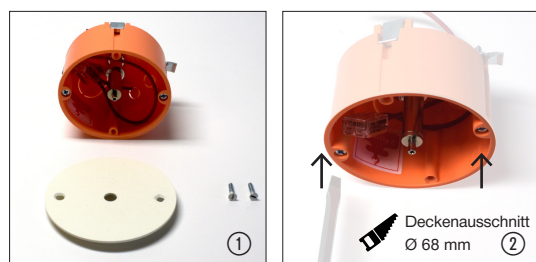
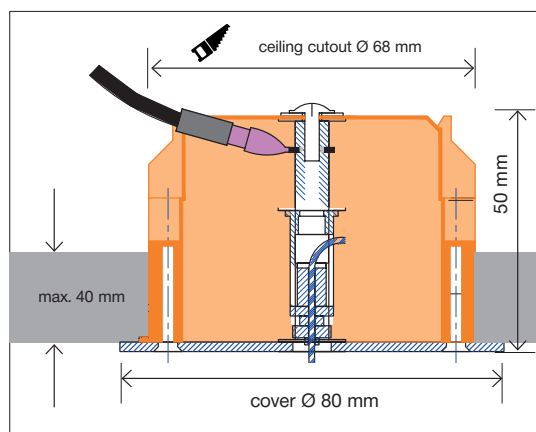
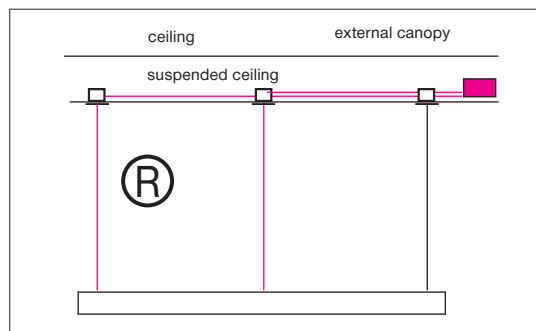
# Assembly instruction

Date: 06.09.2018

## Luminaire with current-carrying steel cables, flush-mount ceiling boxes



AVVENI Pendant 3  
AVVENI Pendant 4  
AVVENI Pendant 5



### Installation of flush-mount ceiling boxes with integrated steel cable hold



**Verify sufficient load-bearing capacity of the ceiling!**

1. On the ceiling, mark the 3 mounting points of the flush-mount ceiling boxes according to the hole pattern on pages 10-13 (observe different dimensions).
2. Make the ceiling cutout measuring  $\varnothing 68$  mm ②.
3. Connect the provided secondary supply line to the flush-mount box ③ and connect the line with the canopy (max. 3m). Observe the wiring diagram on page 16 as well as the markings on the luminaire.
4. Mount the box to the ceiling using 2 Phillips screws ② (the max. ceiling thickness is 40 mm).
5. Insert the pre-assembled cables through the hole in the cover plate into the cable holds ④.
6. Bring the luminaire into the desired position and align by applying slight pressure to the cable hold ⑤.
7. Shorten protruding steel cables.



**Shortened cables may only be replaced by the manufacturer.**



**Verify that the cables are not damaged. The duct of the cable hold needs to exhibit noticeable spring pressure before use. In order to ensure full load bearing capacity, the cables need to be free from greases, oil and rust. The cable holds may only be used in connection with the provided suspension cables and for idle and static loads.**

8. Fasten cover plate with 2 screws ⑥.

### Luminaire with current-carrying steel cables, flush-mount ceiling boxes



spacing canopy with technical unit / flush-mount

luminaire	Version	Canopy	Size Ø xH mm/inch
Pendant 3		DBS 250	250 x 50 / 9.8 x 1.9"
Pendant 5	1 2 3	DBS 300	300 x 50 / 11.8 x 1.9"

### Installation of canopy, Connection to the flush-mount ceiling box



Make sure that the canopy including the technical unit is mounted in a dry and ventilated space.

#### Installation in intermediate ceiling, distance to luminaire max. 10 m

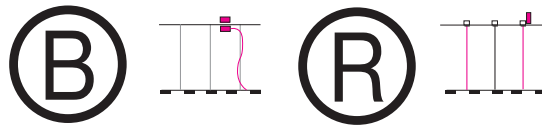
9. Connect primary terminals according to connection diagram (pages 18-19).
10. Fasten canopy sufficiently.
11. Insert the supply line on the side of the canopy and connect to the terminal block according to the connection diagram (pages 18-19).
12. Check the luminaire functions.
13. Mount the canopy lid and fasten with the lateral screws.

Assembly instruction

Date: 06.09.2018

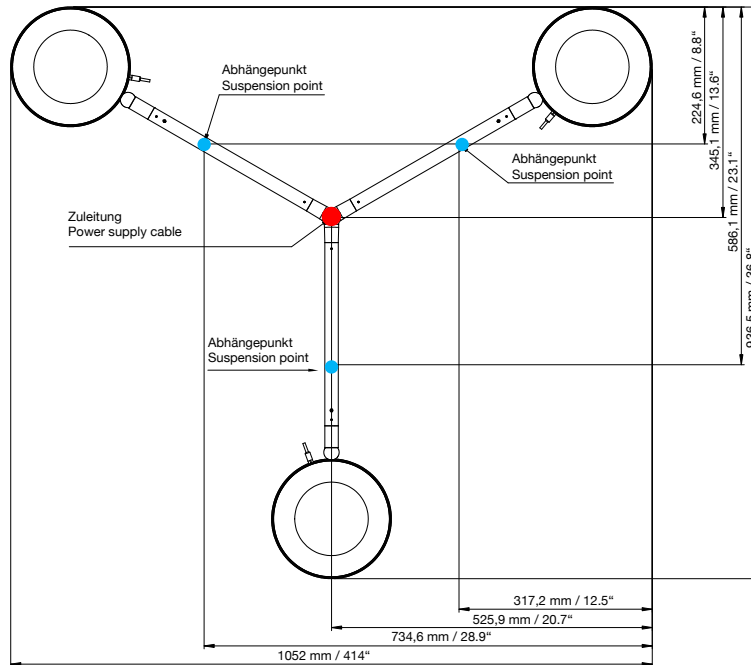
Luminaire with cable suspension –

Hole patterns for the positioning of the steel cable suspension points on the ceiling.



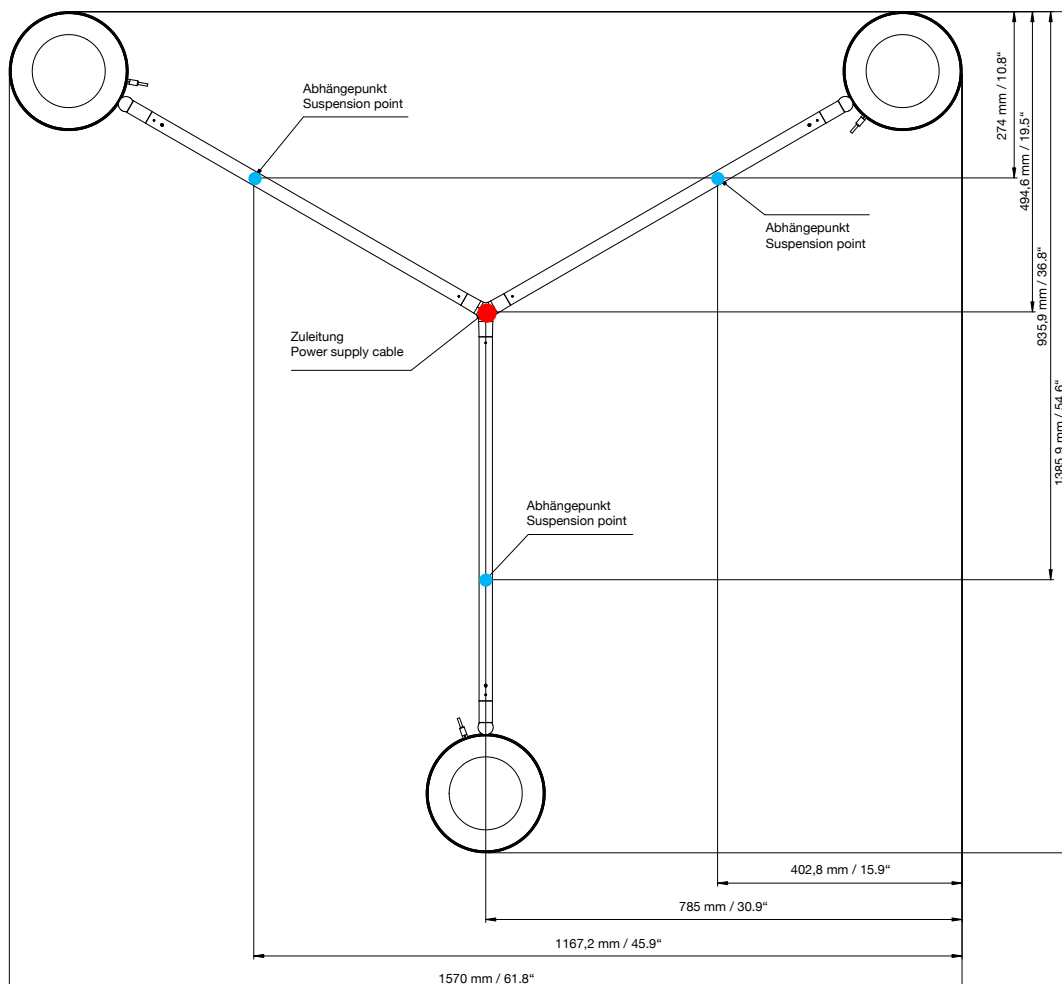
Pendant 3

1052 x 936 mm  
41.4 x 36.9"



Pendant 3

1570 x 1386 mm  
61.8 x 54.6"

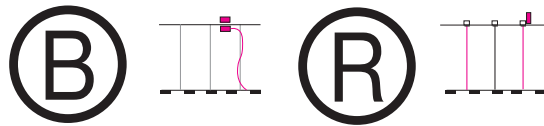


Assembly instruction

Date: 06.09.2018

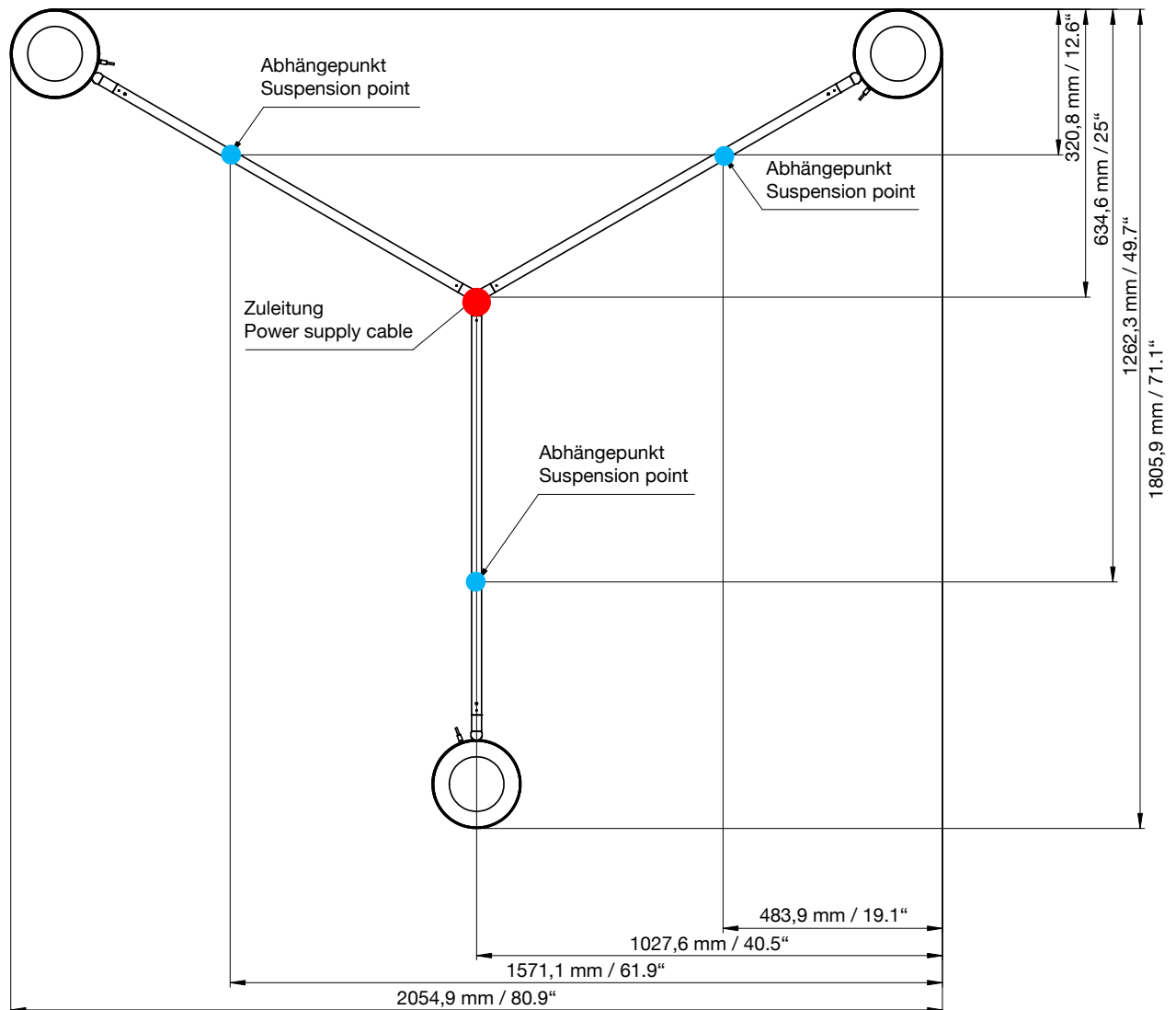
Luminaire with cable suspension –

Hole patterns for the positioning of the steel cable suspension points on the ceiling.



Pendant 3

2055 x 1806 mm  
80.9 x 71.1"

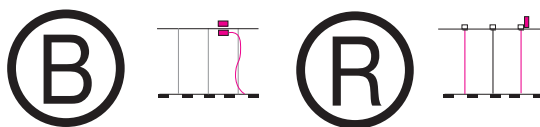


Assembly instruction

Date: 06.09.2018

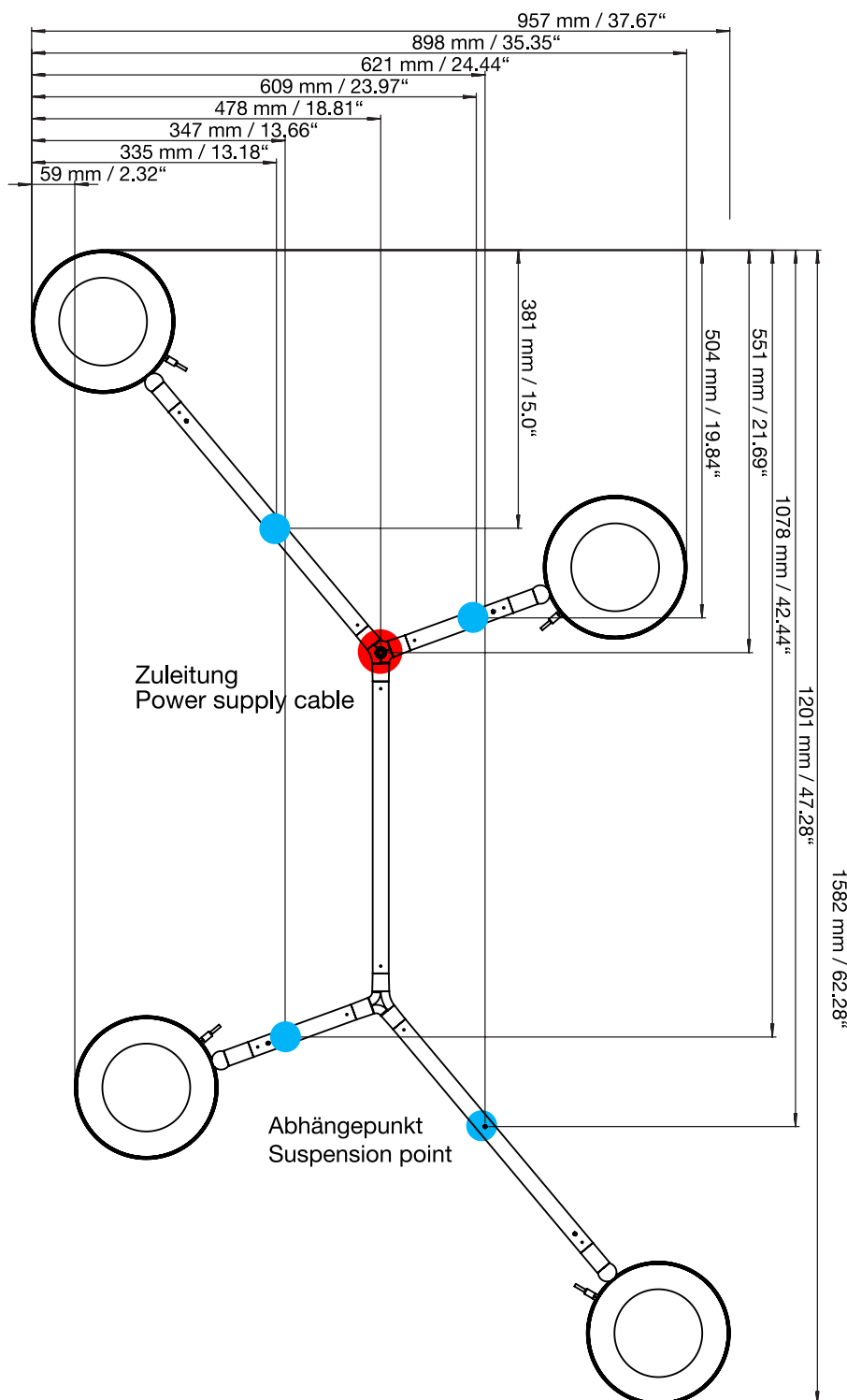
**Leuchte mit Seilabhängung -**

Bohrbilder für die Positionierung der Stahlseilabhängungen an der Decke.



**Pendant 4**

1581 x 957 mm  
62.2 x 37.6"

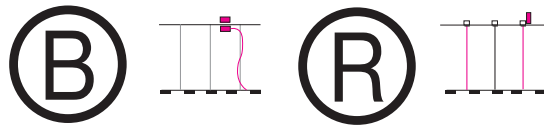


# Assembly instruction

Date: 06.09.2018

## Luminaire with cable suspension –

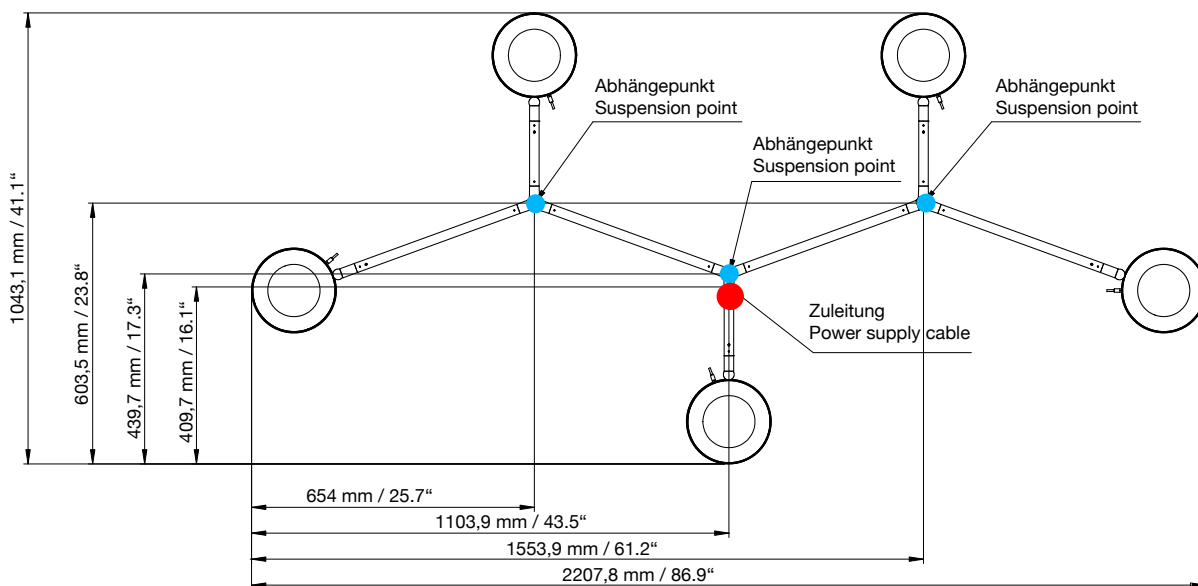
Hole patterns for the positioning of the steel cable suspension points on the ceiling.



### Pendant 5 / Version 1

2208 x 1043 mm

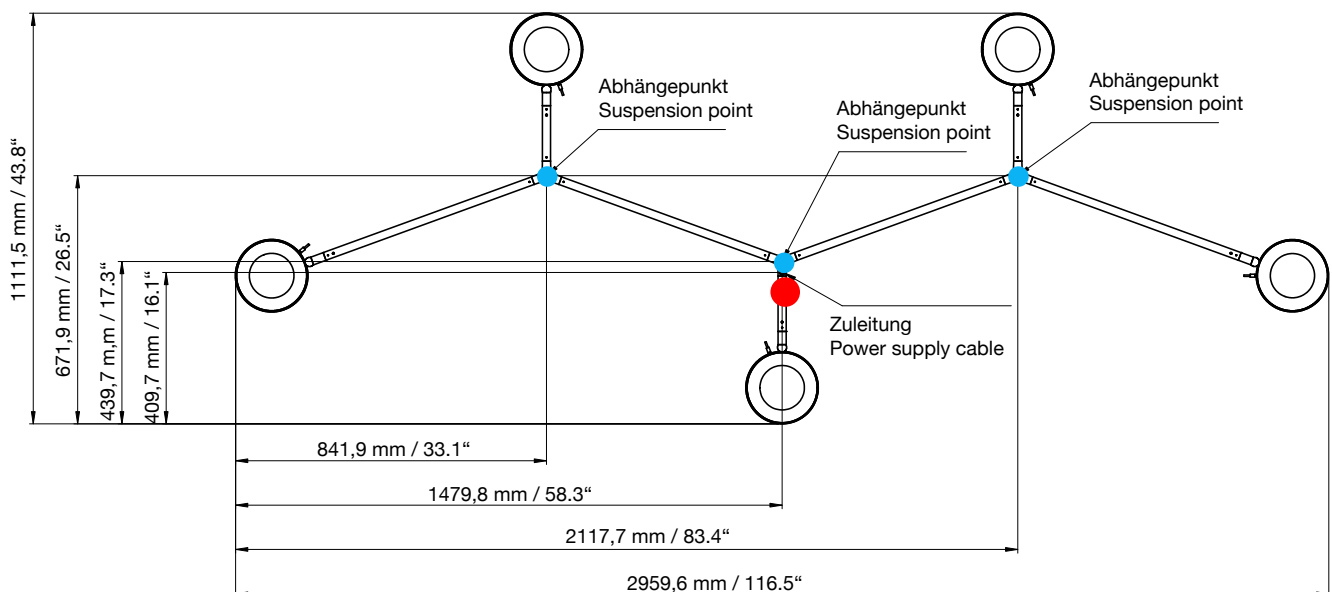
86.9 x 41.1"



### Pendant 5 / Version 2

2960 x 1111 mm

116.5 x 43.7"

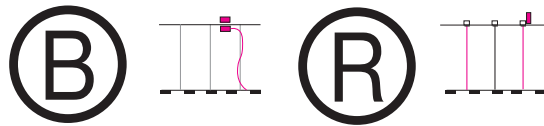


Assembly instruction

Date: 06.09.2018

Luminaire with cable suspension –

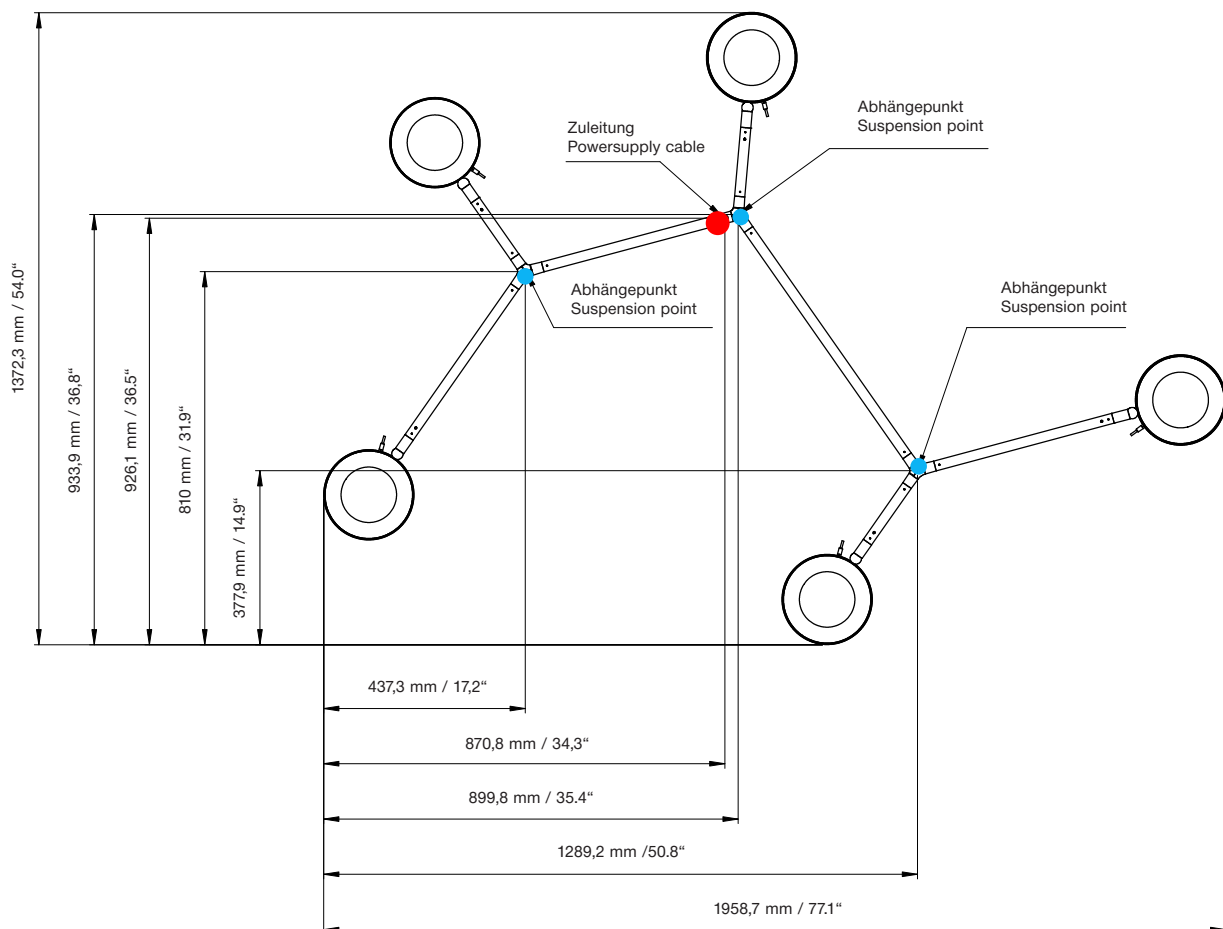
Hole patterns for the positioning of the steel cable suspension points on the ceiling.



Pendant 5 / Version 3

1959 x 1372 mm

77.1 x 54.0

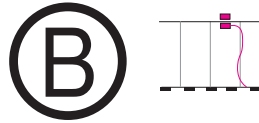


Assembly instruction

Date: 06.09.2018

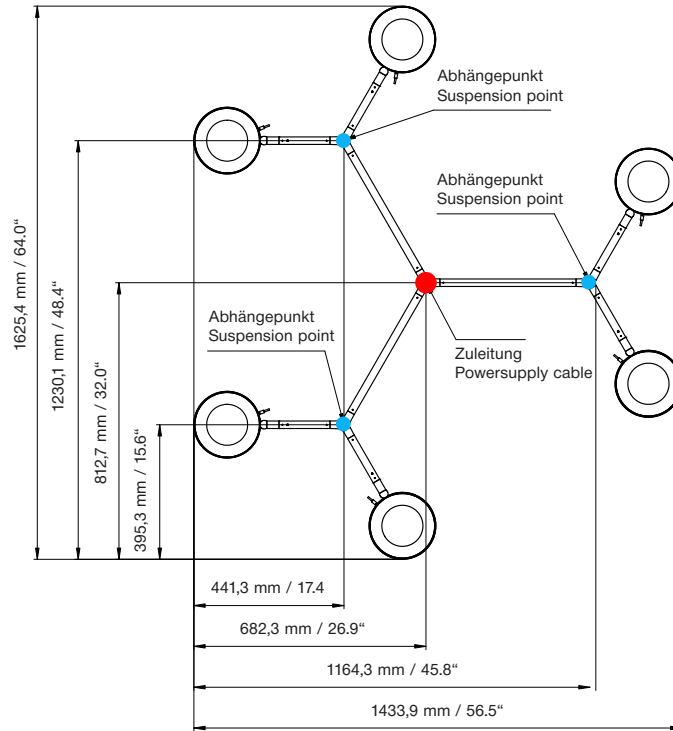
Luminaire with cable suspension –

Hole patterns for the positioning of the steel cable suspension points on the ceiling.



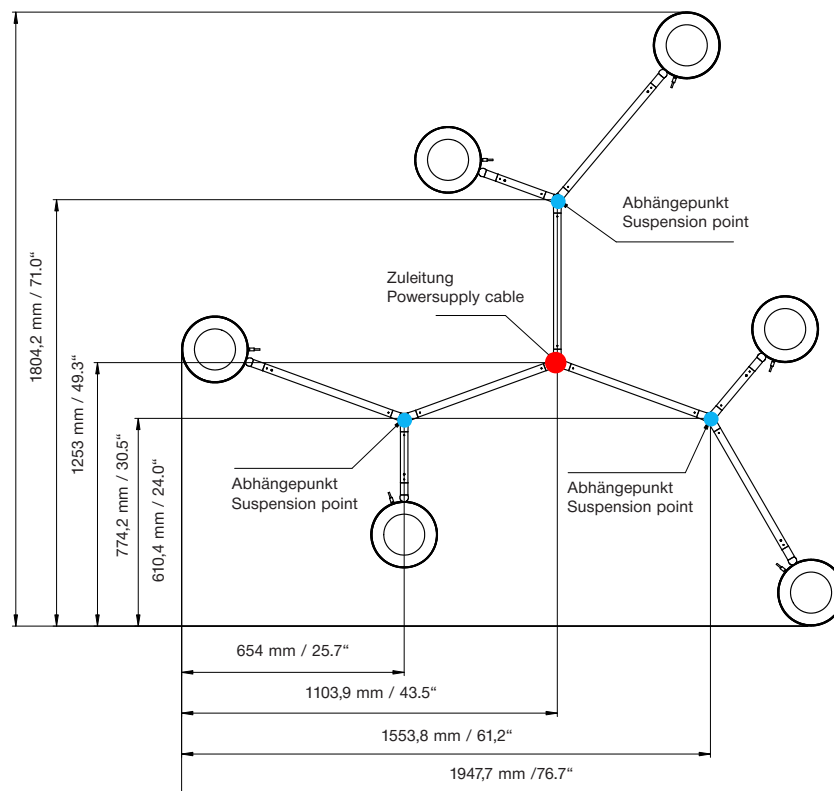
Pendant 6 / Version 1

1625 x 1434 mm  
64.0 x 56.4"



Pendant 6 / Version 2

1948 x 1804 mm  
76.7 x 71.0"





# Assembly instruction

Date: 06.09.2018

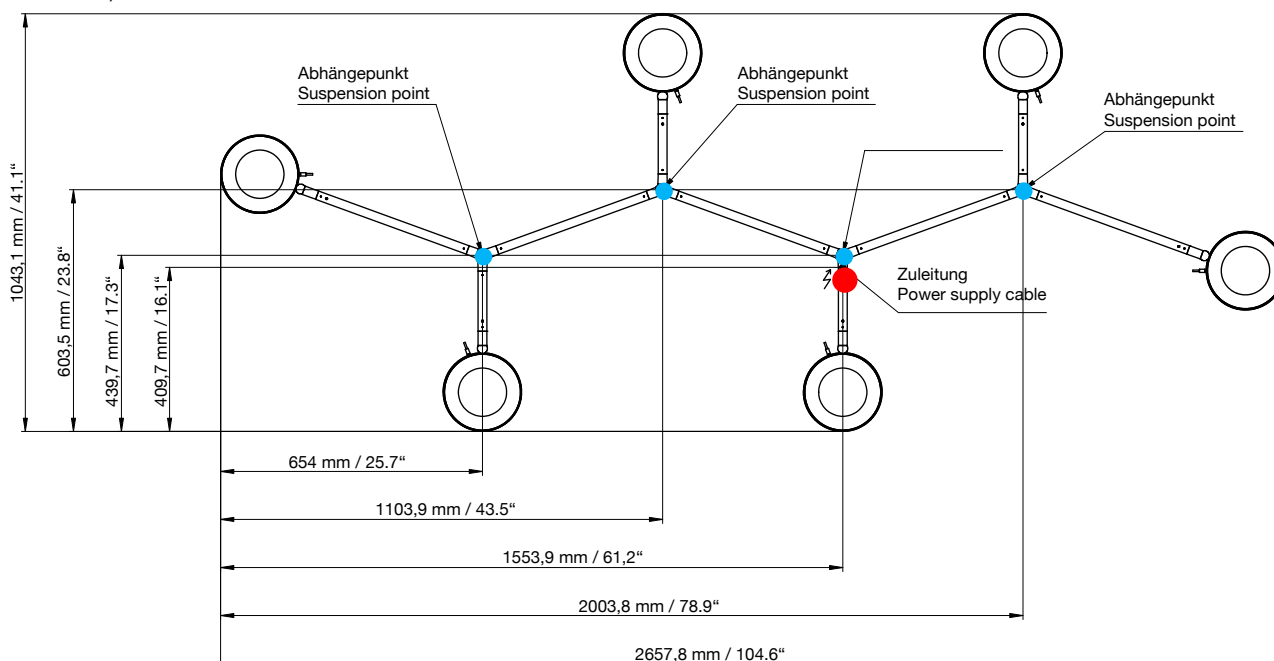
## Luminaire with cable suspension –

Hole patterns for the positioning of the steel cable suspension points on the ceiling.



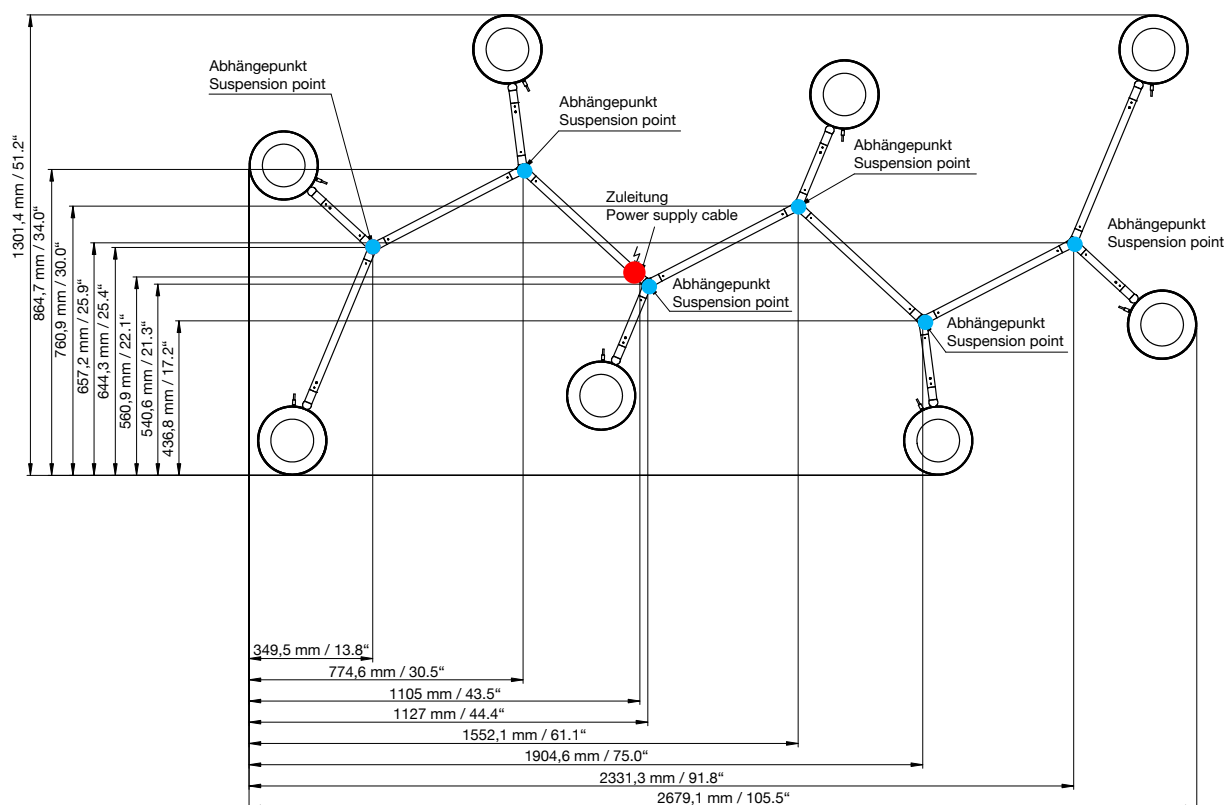
### Pendant 6 / Version 3

2658 x 1043 mm / 105.0 x 41.1"



### Pendant 8

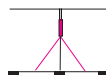
2679 x 1301 mm / 105.5 x 51.2"



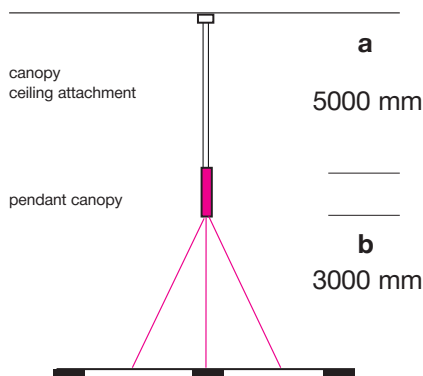
# Assembly instruction

Date: 06.09.2018

## Luminaire with pendant canopy – Connecting the light fixture with current-carrying steel cables



AVVENI Pendant 3  
AVVENI Pendant 6



### Mounting the Canopy Ceiling Attachment



**Verify sufficient load-bearing capacity of the ceiling!**

1. Fasten the canopy ceiling attachment to the ceiling at the 2 mounting points.  $\varnothing$  6mm / 1/4" drill and wall plugs
2. Connect the power supply and the control signal to the terminal block of the canopy. For this, dismount the terminal block, connect the cables and mount the terminal block again. Insert the two pre-assembled steel cables (5000mm) and the power supply cable through the canopy lid, fasten cable anchorage and lid with magnets.

### Mounting the Pendant Canopy

3. Move the outer sleeve of the pendant canopy up, turn and then move it down.
4. Insert both steel cables (cable length a) in the cable gripper of the pendant canopy and adjust to desired length by applying slight pressure to the cable gripper.



**Never adjust the suspension under load to avoid damage to the steel cables.**

5. Lock the cable grippers on the canopy by use of the insulated knurled nut.
6. Protruding steel cables may be shortened, if necessary.



**Shortened cables may ONLY be replaced by the manufacturer.**

7. Connect the power supply cable to the terminal block of the pendant canopy, lock cable anchorage. Move the outer sleeve back up.

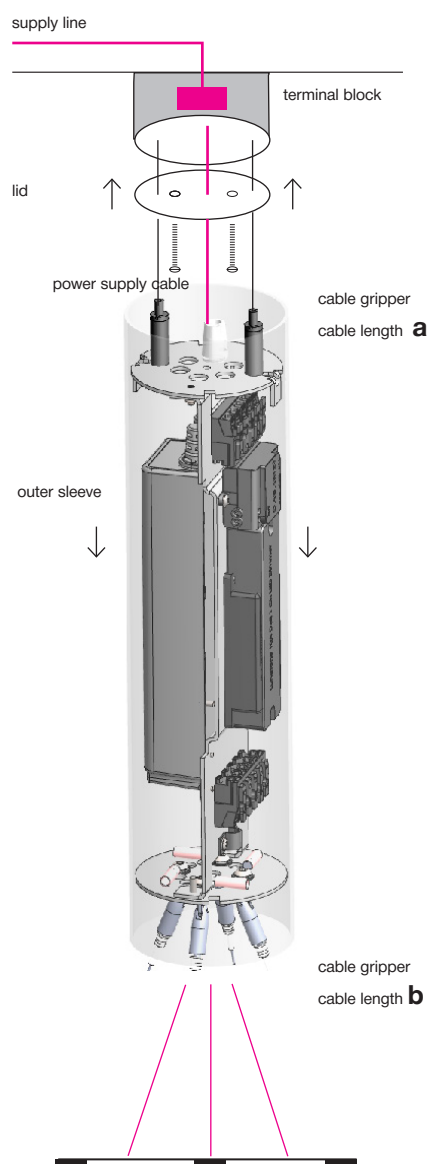
### Connecting the Luminaire

8. Fasten the luminaire body to the bottom part of the pendant canopy at the cable anchors provided with the pre-assembled cables (cable length b) and adjust by applying slight pressure to the cable hold.



**Observe the polarity of the live cables according to the markings on the luminaire and the canopy.**

9. Lock the cable holds by use of the insulated knurled nut.
10. Shorten protruding current-carrying steel cables to avoid short circuits.
11. Put the sleeve of the pendant canopy back in position and fasten it.
12. Check the luminaire functions.

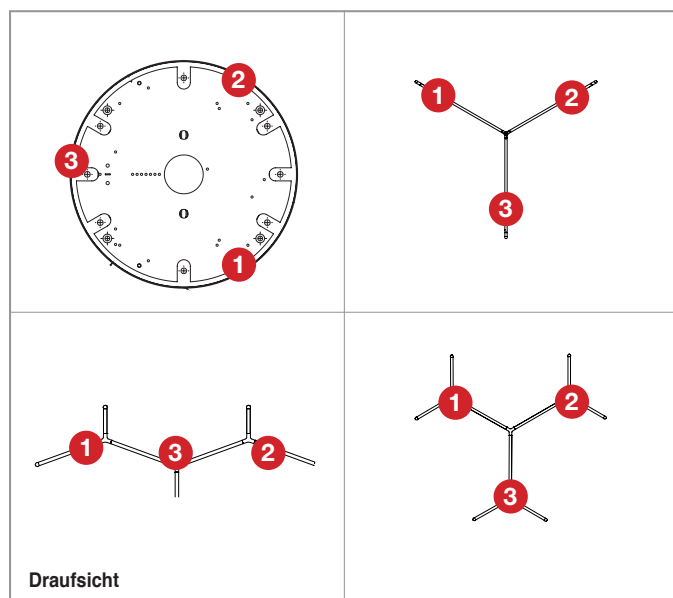
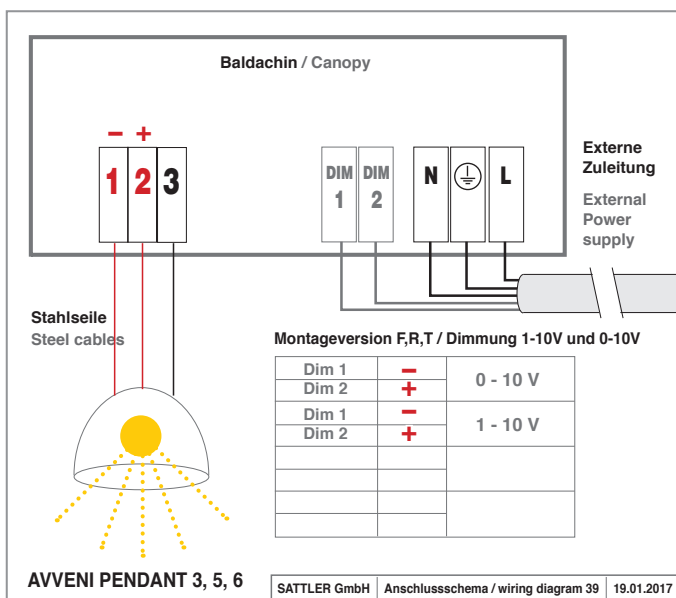
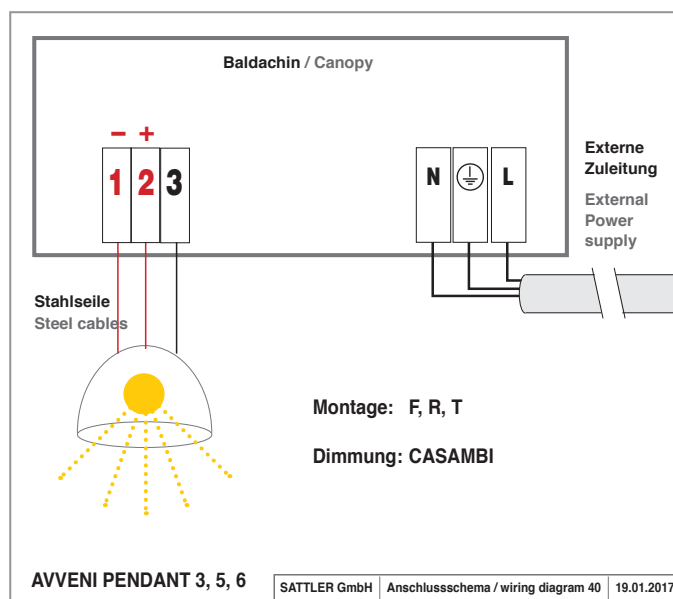
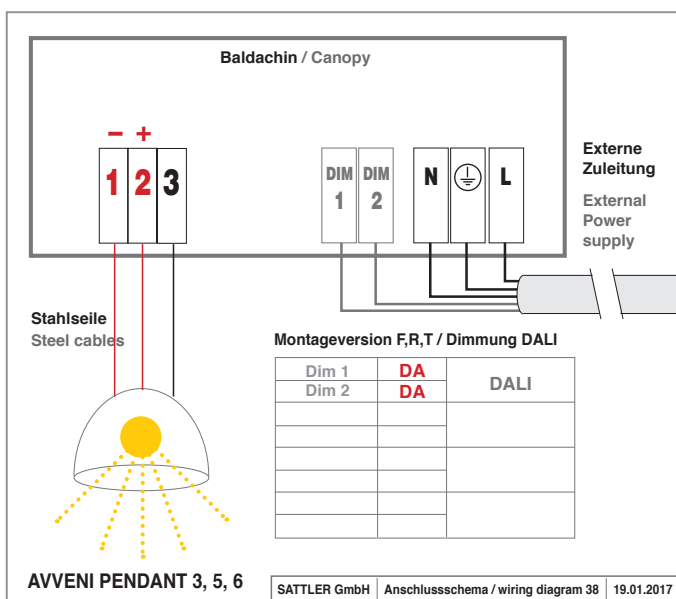
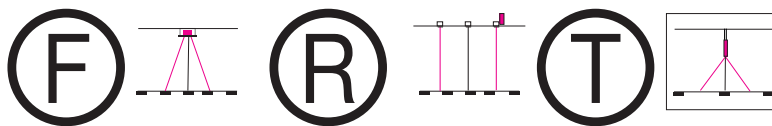


## Assembly instruction

Date: 06.09.2018

### Wiring diagram:

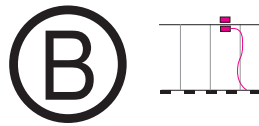
AVVENI Pendant 3  
AVVENI Pendant 5  
AVVENI Pendant 6



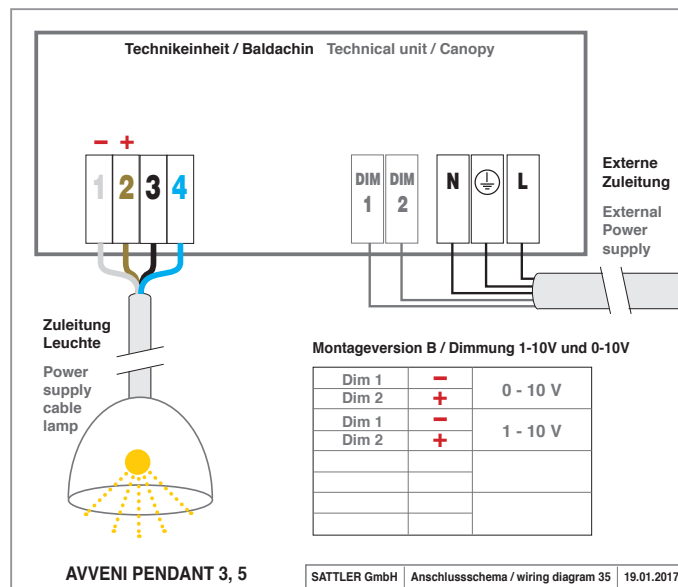
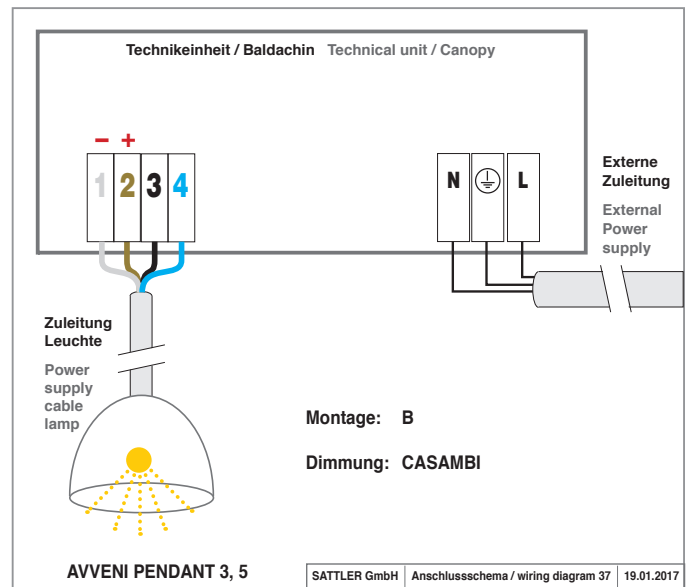
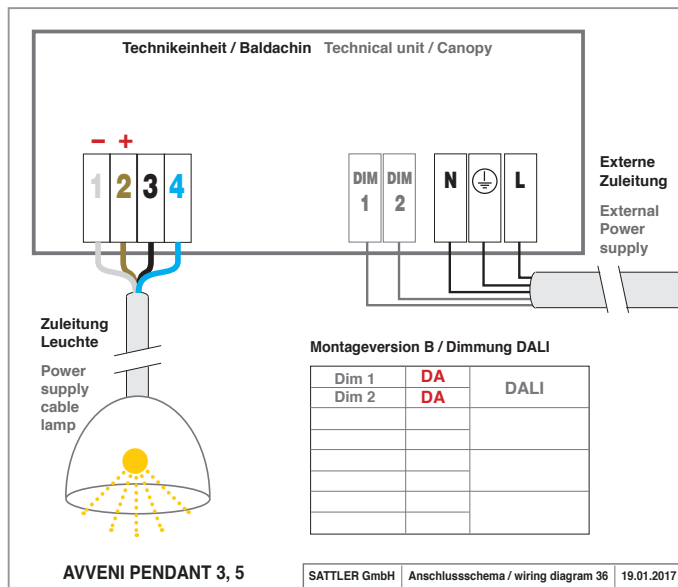
Assembly instruction

Date: 06.09.2018

Wiring diagram:



AVVENI Pendant 3  
AVVENI Pendant 5

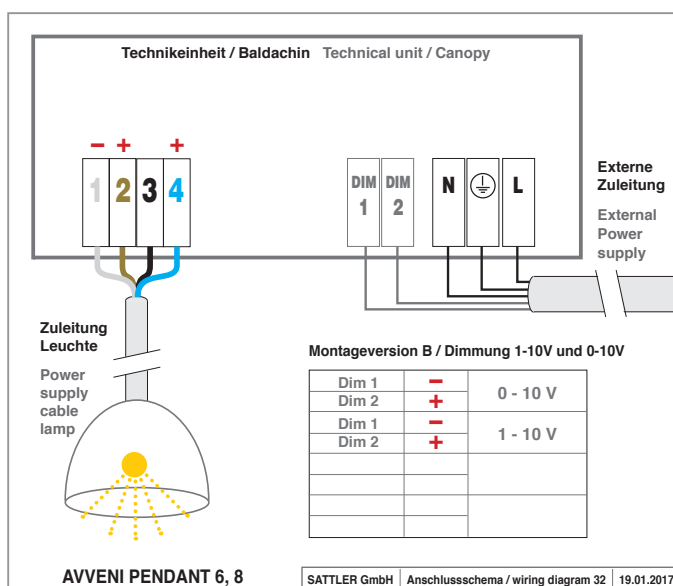
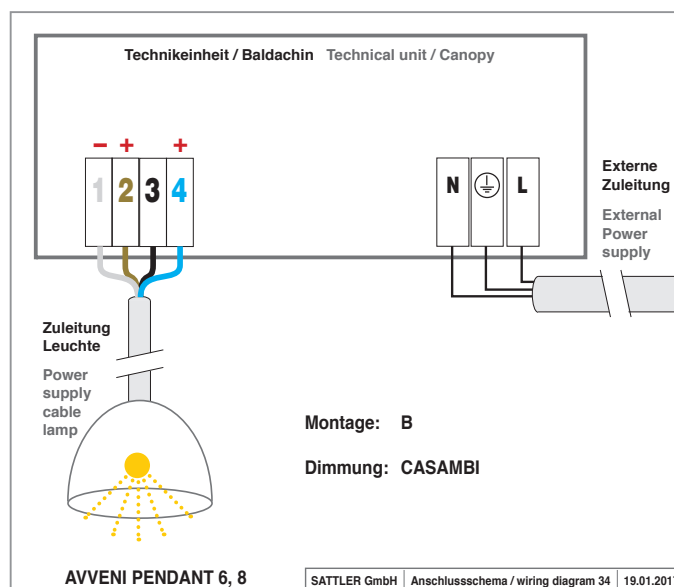
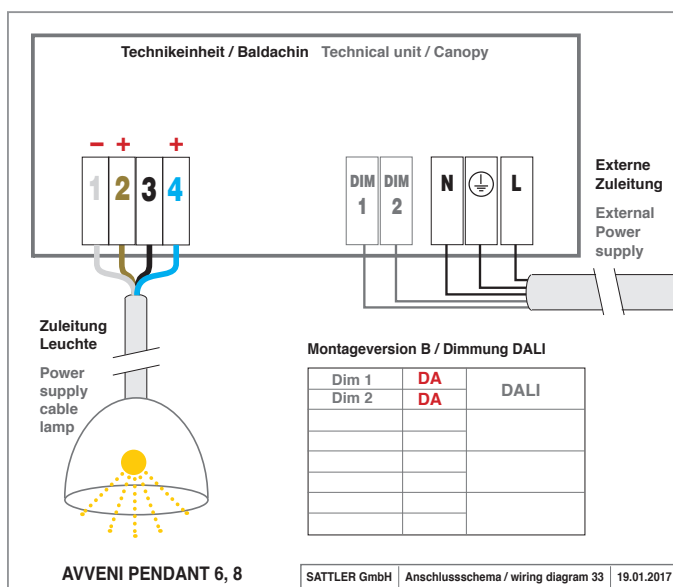


# Assembly instruction

Date: 06.09.2018

## Schaltschema:

AVVENI Pendant 6  
AVVENI Pendant 8



We will be glad to assist you with any further questions regarding the assembly of our light fixtures.

**Contact: Inter-lux, 3741 Commerce Dr. #306-308, Baltimore, MD 21227. 410.381.1497 inter-lux.com**

Legal disclaimer: Please make sure to adhere to all safety instructions. Every single assembly step is crucial in order to ensure the safety of the light fixture and the technician. Inter-lux and SATTLER GmbH cannot be held liable for any damages or injuries in case of negligence of safety instructions.