

### AVVENI SINGLE

#### Assembly Instructions

The light fixture may only be installed by qualified staff. Qualified staff are persons who are familiar with the installation and first-time operation of the product and who have corresponding qualifications, e.g.:

- Trained electricians or persons who have received training in electrotechnology.
- People who have received training or instruction on the use of appropriate safety equipment according to the safety standards for electrical circuits.
- People who have received training or instruction on first aid and accident prevention.



#### Dangers

- Ensure that the main power supply is switched off!
- Danger of serious injury due to electric power!
- Prior to installation or removal of the luminaire and the light source, verify that the device is volt-free.

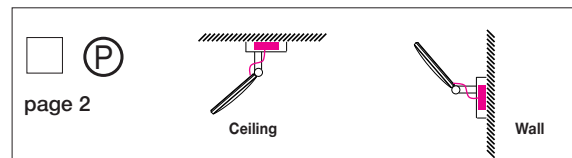
In case of any malfunction, contact your local specialist retailer.

#### Technical data:

Geräteaufkleber

#### Assembly Option

— power supply cable 36 V



#### Dimming

- dimmer interface 0-10V
- DALI interface
- dimmer interface 1-10V
- CASAMBI interface



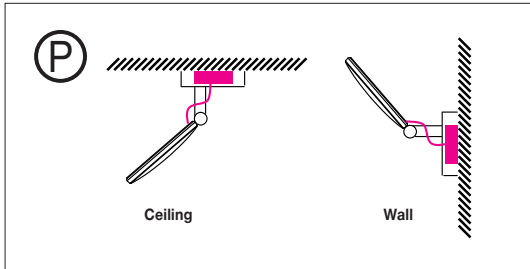
#### Scope of Delivery

Part	Quantity
<b>Package 1</b>	
<input type="checkbox"/> Light head	① 1 x
<b>Package 2</b>	
<input type="checkbox"/> Gloves	② 1 x
<input type="checkbox"/> Screwdriver	1 x
<input type="checkbox"/> Assembly Instructions	1 x
<input type="checkbox"/> 2-part canopy with magnetic holder for the ball joint	③ 1 x

### AVVENI SINGLE



### Ceiling or wall assembly Canopy with integrated technical unit.



DBSA 134 (Ø 134mm x H 36mm, 5.3" x 1.4")



### Assembly of the Canopy



Verify sufficient load-bearing capacity of the ceiling!

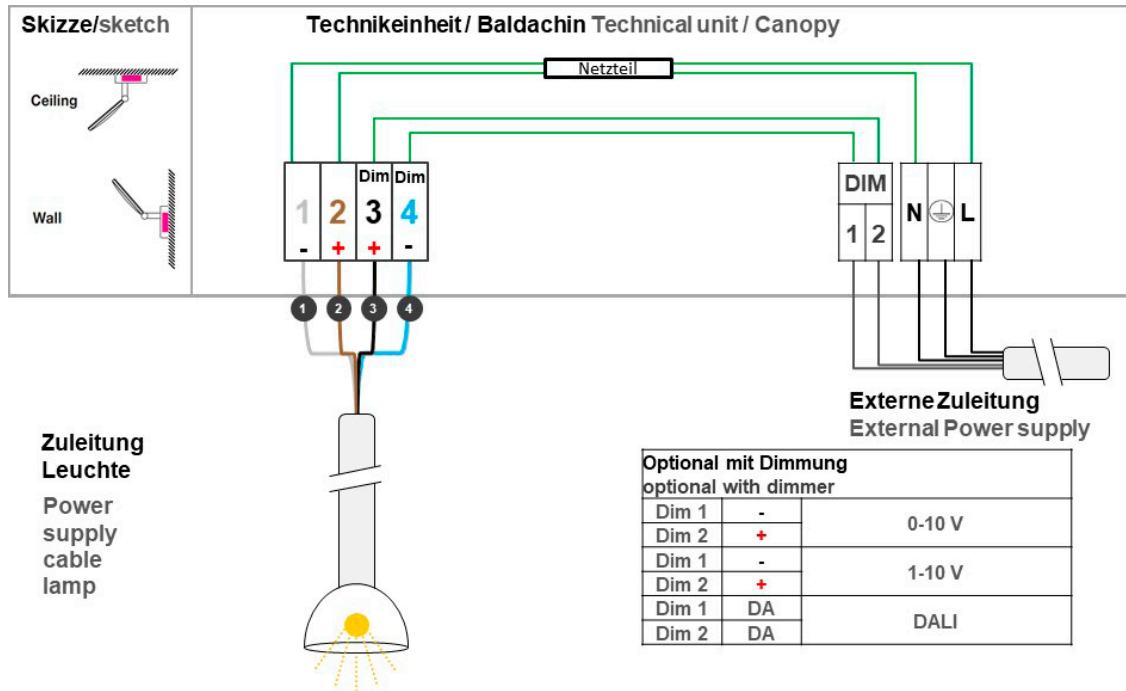
1. Fasten the canopy base ① to the ceiling at the 4 mounting points. Ø 6mm/1/4" drill and wall plug.
2. Connect the power supply and the control signal to the terminal block of the canopy ② (see wiring diagram on page 3)
3. Attach the canopy cover to the canopy base and fix it with 3 lateral screws ③.

### Assembly of the of Light Head

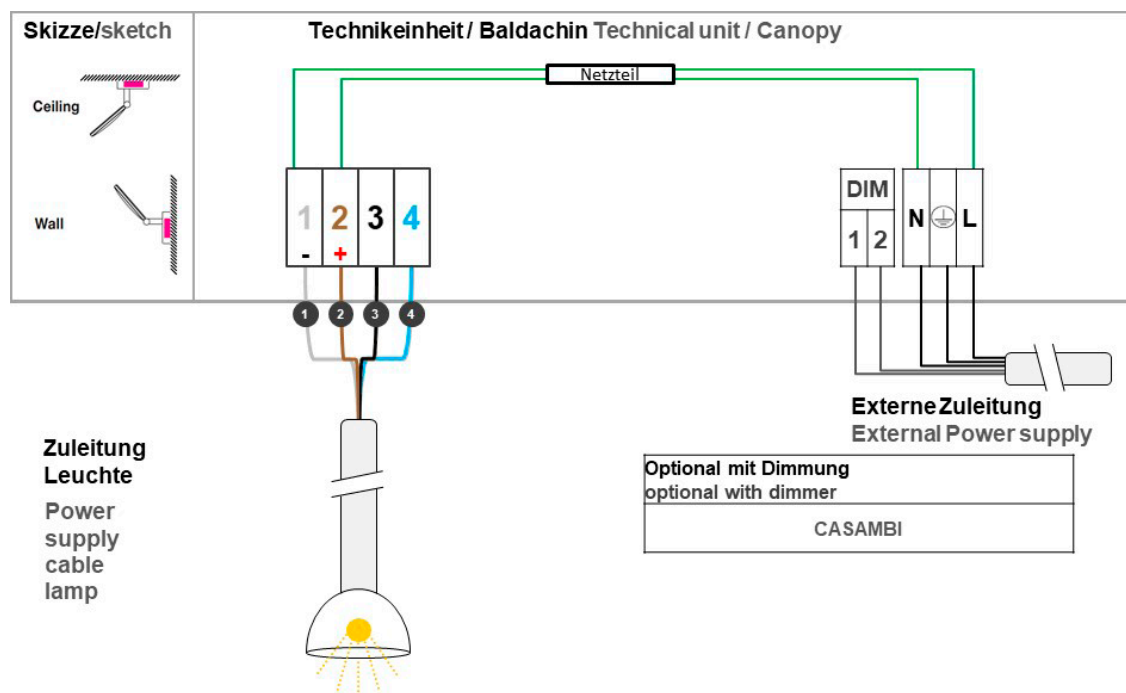
4. Unpack the light head and attach the metal ball to the magnetic holder of the canopy carefully ④.
5. Insert the pre-assembled cable into the corresponding socket on the light head. ④ + ⑤
6. Check the luminaire functions.

### AVVENI SINGLE

#### Wiring diagram:

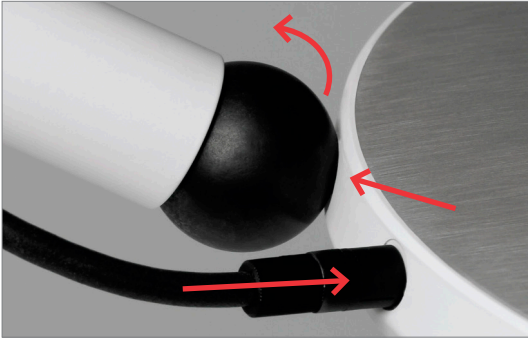


SATTLER Anschlusschema / wiring diagramm AVVENI Single 14.11.2018



SATTLER Anschlusschema / wiring diagramm AVVENI Single 14.11.2018

### AVVENI SINGLE



#### Replacement / Removal of Light Heads

Disconnect the supply cable from the light head. When replacing or removing the light heads, lever out each light head sideways and in the opposite direction to the connection socket via the finger or a soft object. The frontal removal of the light head needs to be avoided as it can damage the luminaire. When removing the light head, the direct contact with the luminaire structure is to be avoided as well, as it can lead to damage.



#### Maintenance Tip Magnetic Holder

Keep the round magnetic holder free from oil and greases in order to avoid a reduced adhesive strength of the magnetic joint. We recommend cleaning it regularly, using appropriate cleaning detergents.

#### Maintenance Tip Surfaces

Please clean the coated luminaire surfaces solely with a dry or damp cloth. The use of solvent-based detergents can damage the varnished, polished or brushed surfaces.

We will be glad to assist you with any further questions regarding the assembly of our light fixtures.

**Contact: Inter-lux, 3741 Commerce Dr. #306-308, Baltimore, MD 21227. 410-381-1497 [www.inter-lux.com](http://www.inter-lux.com)**

Legal disclaimer: Please make sure to adhere to all safety instructions. Every single assembly step is crucial in order to ensure the safety of the light fixture and the technician. Inter-lux and SATTLER GmbH cannot be held liable for any damages or injuries in case of negligence of safety instructions.