

AVVENI PURE CEILING | WALL

Assembly Instructions

The light fixture may only be installed by qualified staff. Qualified staff are persons who are familiar with the installation and first-time operation of the product and who have corresponding qualifications, e.g.:

- Trained electricians or persons who have received training in electrotechnology.
- People who have received training or instruction on the use of appropriate safety equipment according to the safety standards for electrical circuits.
- People who have received training or instruction on first aid and accident prevention.

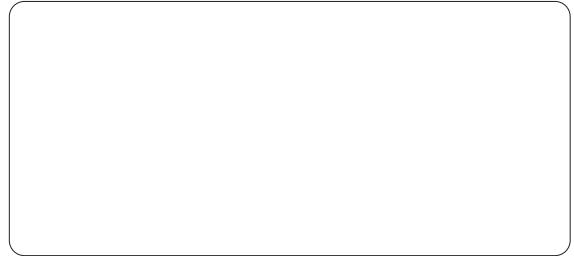


Dangers

- Ensure that the main power supply is switched off!
- Danger of serious injury due to electric power!
- Prior to installation or removal of the luminaire and the light source, verify that the device is volt-free.

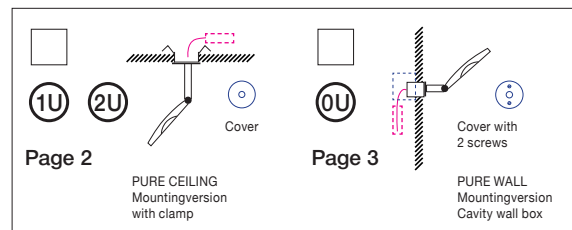
In case of any malfunction, contact your local specialist retailer.

Technical data:



Assembly Option

— power supply cable 36 V



Dimming

- dimmer interface 0-10V
- dimmer interface 1-10V
- DALI interface
- CASAMBI interface

Scope of Delivery

Package 1

Part	Quantity
<input type="checkbox"/> Light head ①	1 x

Package 2

<input type="checkbox"/> Gloves ②	1 x
<input type="checkbox"/> Screwdriver	1 x
<input type="checkbox"/> Assembly Instructions	1 x

AVVENI PURE CEILING Ceiling mounting 1U, 2U

<input type="checkbox"/> Canopy with clamp, magnetic holder for ball joint and cable ③	1 x
--	-----

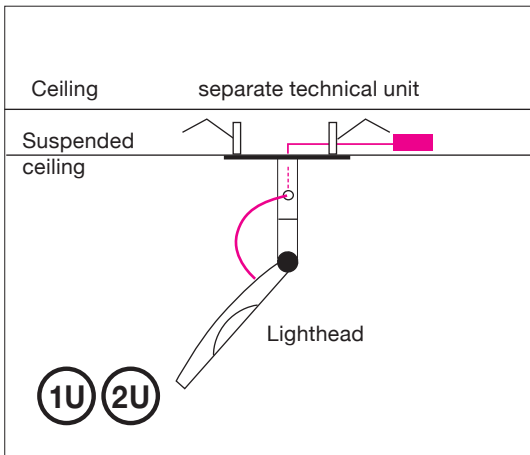
AVVENI PURE WALL Wall mounting 0U

<input type="checkbox"/> Cavity box with cover magnetic holder for ball joint and cable ④	1 x
---	-----



AVVENI PURE CEILING | WALL

1U 2U Ceiling mounting with clamp, separate technical unit.

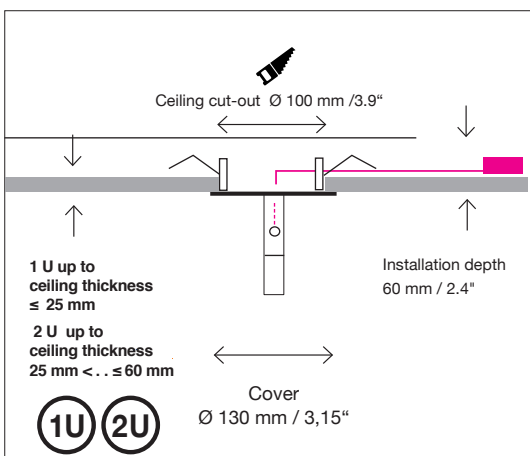


Assembly of the Canopy



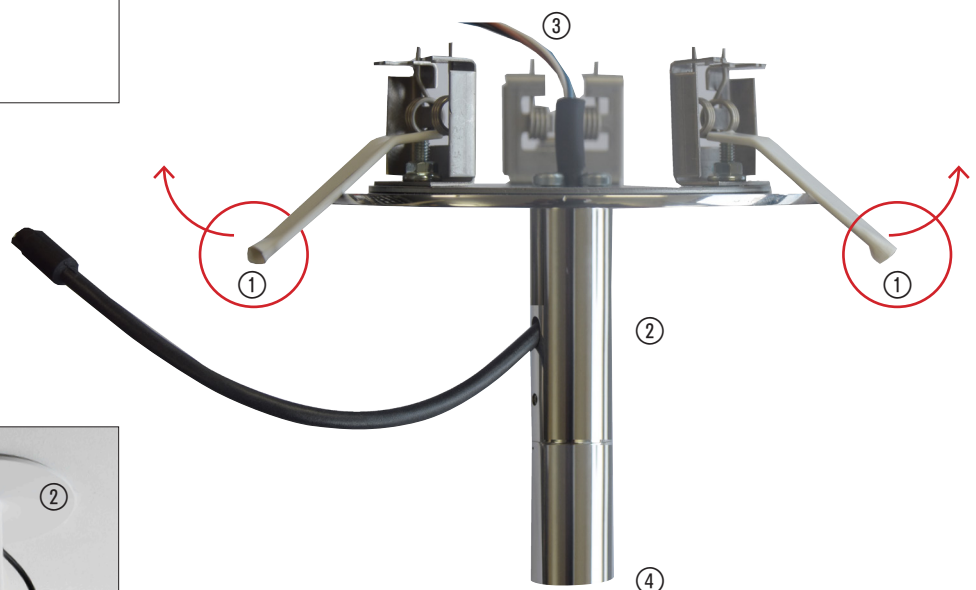
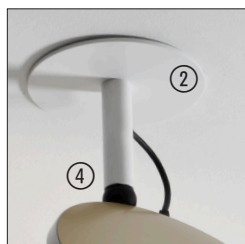
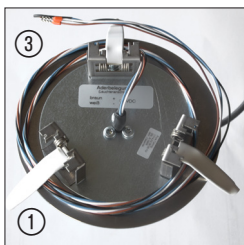
Verify sufficient load-bearing capacity of the ceiling!

1. Saw out ceiling cut-out \varnothing 100 mm / 3.9".
2. Bend fixing clamps ① upwards and insert canopy ② into ceiling opening. Connect pre-assembled supply cable ③ to the separate technical unit (ballasts) according to wiring diagram page 4.



Mounting the light head

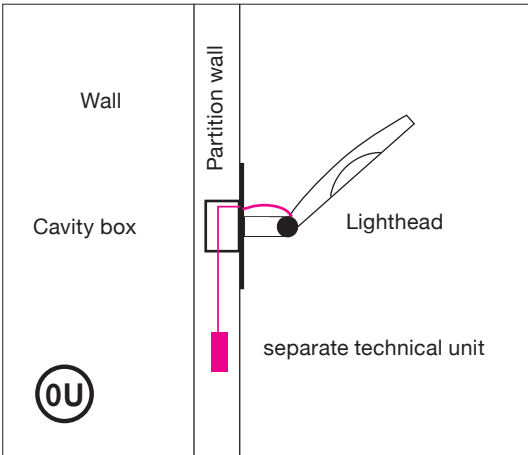
3. Unpack the light head and attach the metal ball to the magnetic holder of the canopy carefully ④.
4. Insert the pre-assembled cable into the corresponding socket on the light head. ⑤.
5. Check the luminaire functions.



AVVENI PURE CEILING | WALL



Wall mounting with cavity box separate technical unit.

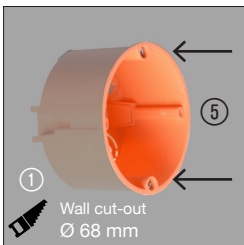
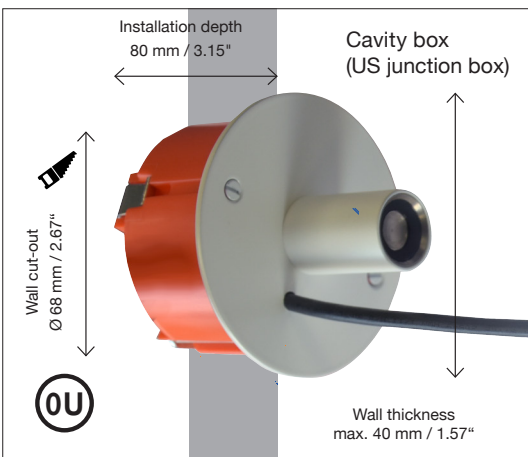


Mounting the wall bracket



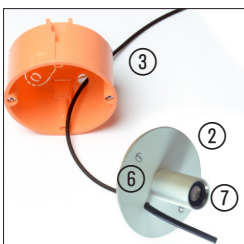
Ensure stable ceiling construction!

1. Mark the mounting point of the wall mounting box. Saw out wall cut-out with $\varnothing 68 \text{ mm}$ ①.
3. Guide the luminaire cable through the wall bracket ② and recessed box ③ and connect it to a separate power supply unit ④ (power supply unit in junction box). Then connect the supply line to the power supply unit (max. 10 m). Observe connection diagram page 4 and marking on luminaire.
4. Insert the box into the partition wall and fix it to the wall with 2 cross-head screws ⑤. (the maximum wall thickness is 40 mm).
5. Re-attach the cover plate to the mounting box with 2 slotted screws ⑥.



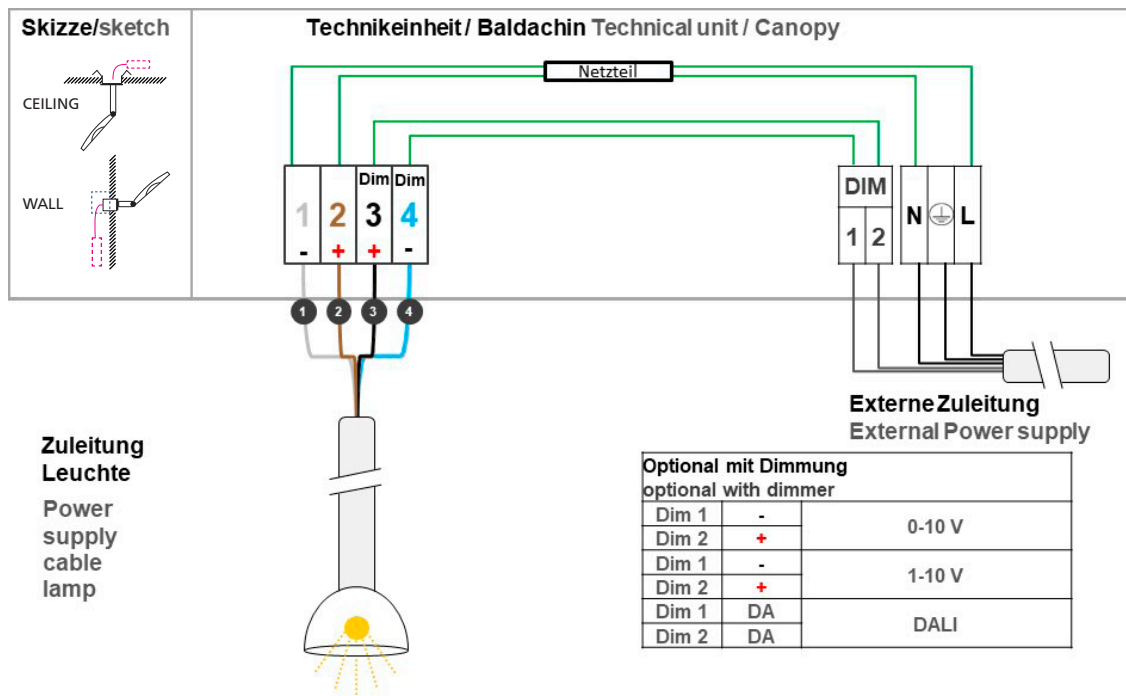
Mounting the light head

3. Unpack the light head and attach the metal ball to the magnetic holder of the canopy carefully ⑦.
4. Insert the pre-assembled cable into the corresponding socket on the light head ⑧.
5. Check the luminaire functions.

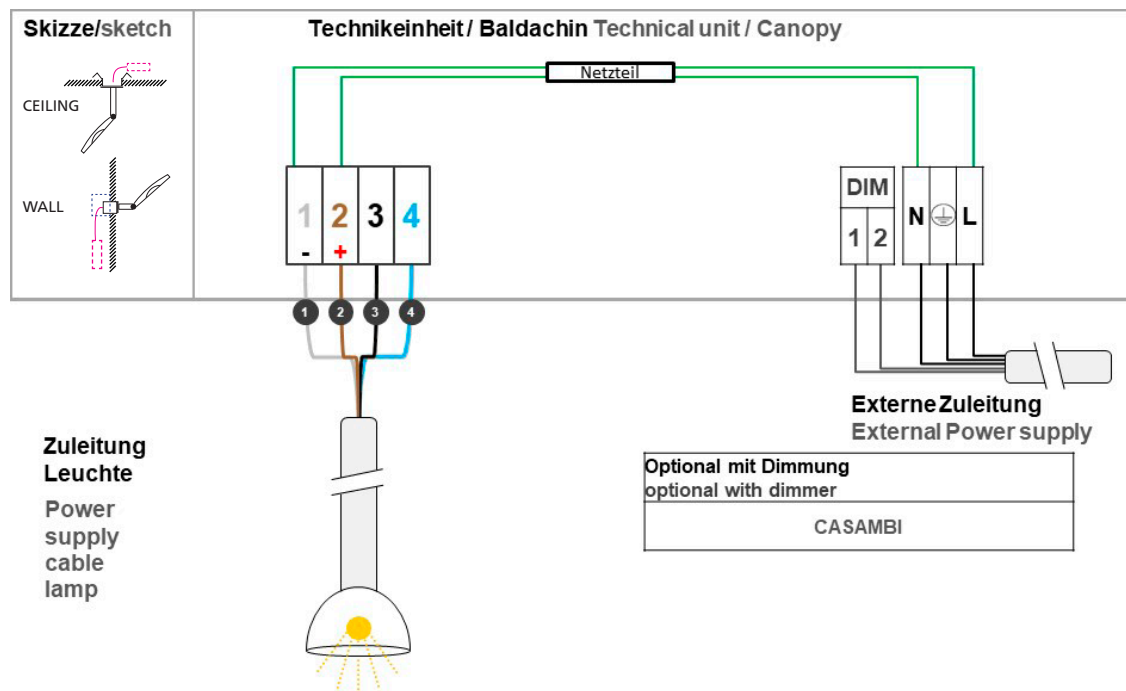


AVVENI PURE CEILING | WALL

Wiring diagram:



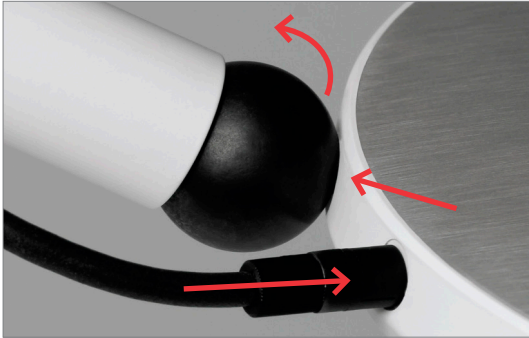
SATTLER Anschlusschema / wiring diagram Avveni Pure Ceiling / Wall 14.11.2018



SATTLER Anschlusschema / wiring diagram Avveni Pure Ceiling / Wall 14.11.2018

AVVENI PURE

CEILING | WALL



Replacement / Removal of Light Heads

Disconnect the supply cable from the light head. When replacing or removing the light heads, lever out each light head sideways and in the opposite direction to the connection socket via the finger or a soft object. The frontal removal of the light head needs to be avoided as it can damage the luminaire. When removing the light head, the direct contact with the luminaire structure is to be avoided as well, as it can lead to damage.



Maintenance Tip Magnetic Holder

Keep the round magnetic holder free from oil and greases in order to avoid a reduced adhesive strength of the magnetic joint. We recommend cleaning it regularly, using appropriate cleaning detergents.

Maintenance Tip Surfaces

Please clean the coated luminaire surfaces solely with a dry or damp cloth. The use of solvent-based detergents can damage the varnished, polished or brushed surfaces.

We will be glad to assist you with any further questions regarding the assembly of our light fixtures.

Contact: Inter-lux, 3741 Commerce Dr. #306-308, Baltimore, MD 21227. 410-381-1497 www.inter-lux.com

Legal disclaimer: Please make sure to adhere to all safety instructions. Every single assembly step is crucial in order to ensure the safety of the light fixture and the technician. Inter-lux and SATTLER GmbH cannot be held liable for any damages or injuries in case of negligence of safety instructions.