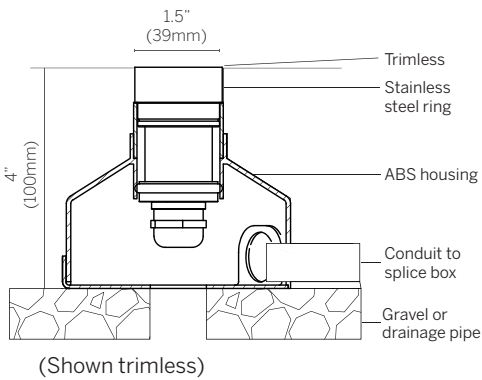




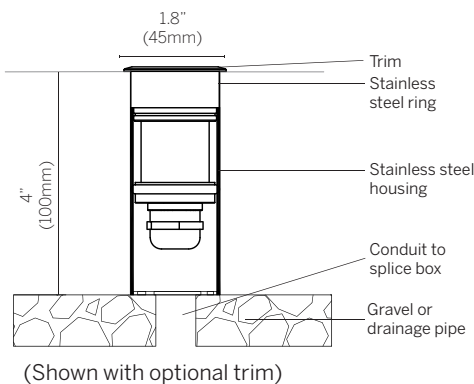
Ordering Information <sup>1</sup>						
Model	Power	Color	Optics	Voltage	Options	Housing
F SQW35			WW	24		
F SQW35	L H	27 30 35 40	WW	24	TR C1 C2 C3	SQ35C SQ35T

<sup>1</sup>Specify remote power supply separately below.

### Concrete Housing (driveover)



### Tile Housing (driveover)



### Luminaire

- Trimless for seamless integration into grade; optional stainless steel trim
- Snap in installation with no exposed hardware
- Sustainable design with replaceable LED module
- Regressed LED for glare reduction
- IP67, UL STD 1598, wet location; Pedestrian driveover rated 3000 lb
- Stainless steel, ABS and aluminum construction with clear tempered glass
- 1' (0.3m) feed cable standard

### Size

- 1.5"  $\varnothing$  (39mm) x 4" H (100mm) standard trimless
- 1.8"  $\varnothing$  (45mm) x 4" H (100mm) with optional trim

### Power

- L = 1W, 3000K, 95 lm
- H = 3W, 3000K, 285 lm

### Color Temperature

- 27 = 2700K
- 30 = 3000K
- 35 = 3500K
- 40 = 4000K
- 2 Step MacAdam
- CRI: > 85

### Optics

- WW - WallWash - 26x37° tilt 14°

### Voltage

- 24 = 24VDC fixture voltage (remote driver required)

### Options

- TR = stainless steel 304 trim, size: 0.1" (3mm)
- C1 = 10' (3m) feed cable
- C2 = 20' (6m) feed cable
- C3 = 30' (9m) feed cable

### Housing

- SQ35C = concrete
- SQ35T = tile

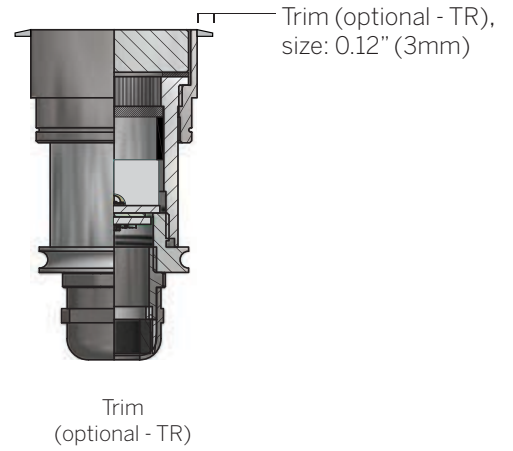
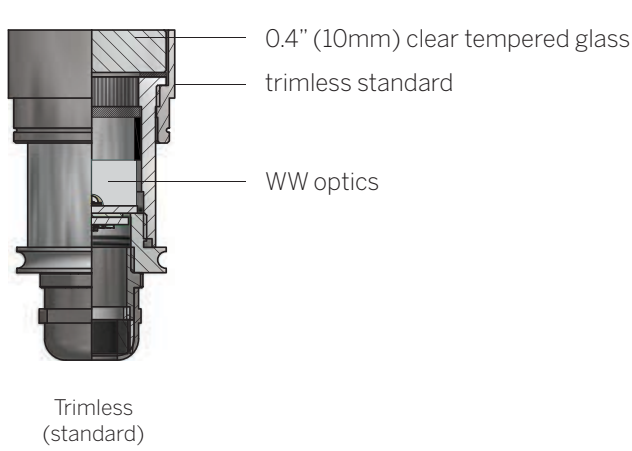
### Power Supply<sup>2</sup> (Remote)

- OT96-D010: 10% 0-10V dim, 96W, 24VDC, 120-277VAC, remote mounted, supplied in a dry location enclosure.

<sup>2</sup>See power supply pages for details. No enclosure, unless stated. 1m80 values shown.

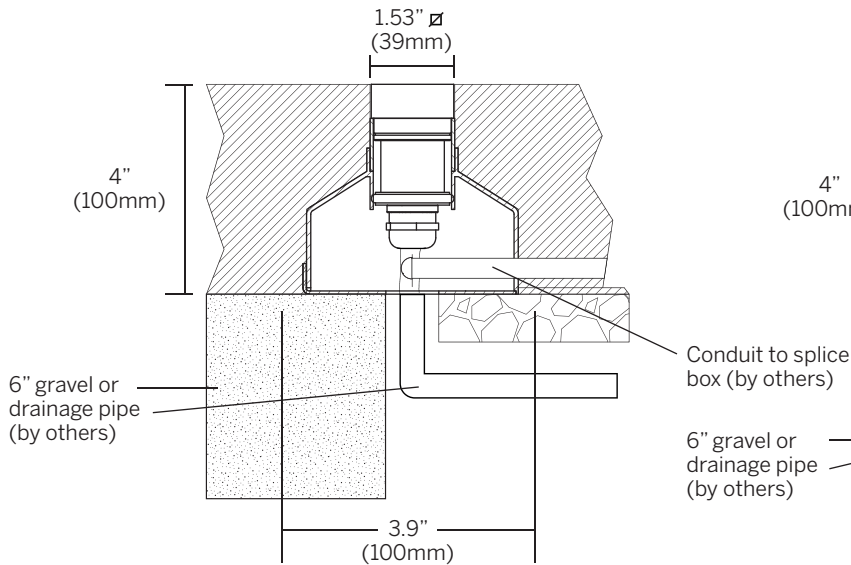
# SQ35 Wallwash Dimensions

Optics Accessories

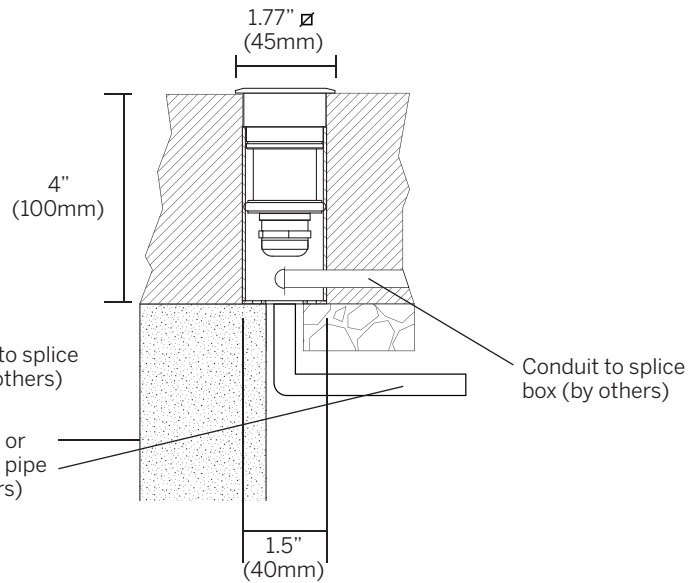


Floor/Wall - Tiles

Concrete Installation Housing (SQ35C) (trimless shown)



Tiles/Wood Installation housing (SQ35T) (trim shown)



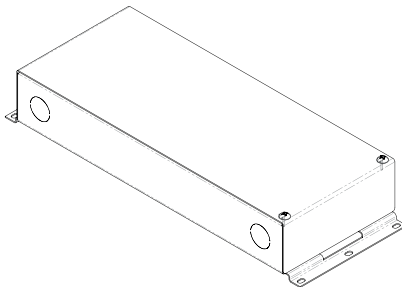
## Single Color Drivers

Qty.	Part Number	Description	Case	Nominal Input Voltage (V)	Nominal Input Current (A)	Power Factor	Output Power Range (W)	Dimming Mode	Dimming Control	Dimming Range	Location Rating
	OT96-D010	Osram 0-10V dim	1	120 277	0.97 0.39	0.9	1-96	PWM	0-10V	10 -100%	Dry

Although it is possible to exceed the remote mounting distance, the installer and/or end user must take precautions to prevent and/or test the effects of EMI (electromagnetic interference). Maximum recommended load is 80% of driver rating.

### Case 1

Case dimensions



13.25" (L) x 5" (W) x 2.25" (H) surface mount in any orientation

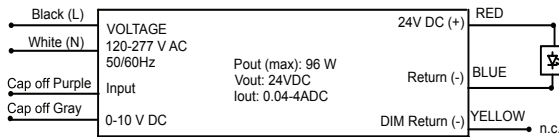
### Maximum wiring distance\*

Wire gauge	Load per driver	
	Osram	
	≤48W	≤72W
#18AWG	28'	18'
#16AWG	44'	29'
#14AWG	71'	47'
#12AWG	133'	75'
#10AWG	180'	120'

\*Voltage drop guide for 24VDC. Actual Voltage drop to be calculated by installer

### 96W Non-Dim

Wiring diagrams



### 96W Dim

