

# RD100 Tilt Adjustable Specifications



## Ordering Information<sup>1</sup>

Model	Power	Color	Optics	Voltage	Options	Housing
F RDT100	H			24		
F RDT100	H	27 30 35 40	SP NR	24	TR C1 C2 C3	RD100T RD100C

<sup>1</sup>Specify remote power supply separately below.

## Luminaire

- Tilt Adjustable System: 360 degree horizontal rotation and 40 degree vertical
- Trimless for seamless integration into grade; optional stainless steel trim
- Snap in installation with no exposed hardware
- Sustainable design, replaceable LED module
- IP67, UL STD 1598, wet location, Pedestrian driveover rated 3000 lb
- Stainless steel 304 and ABS construction, direct concrete pour housing, with clear tempered glass 5/8" thick
- 1' (0.3m) feed cable standard

## Size

- 4"ø (100mm) x 4.7" H (120mm) standard trimless
- 5"ø (125mm) x 4.6" H (117mm) with optional trim

## Power

- H = 10W, 2700K - 4000K, 900 lm

## Color Temperature

- 27 = 2700K
- 30 = 3000K
- 40 = 4000K
- 2 Step MacAdam
- CRI: > 85

## Optics

- SP = Spot 17°
- NR = Narrow 42°

## Voltage

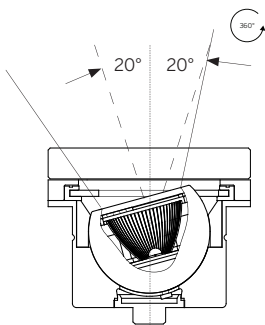
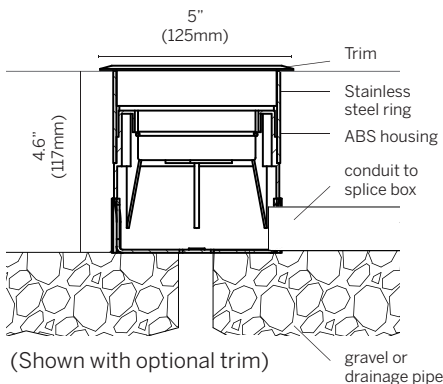
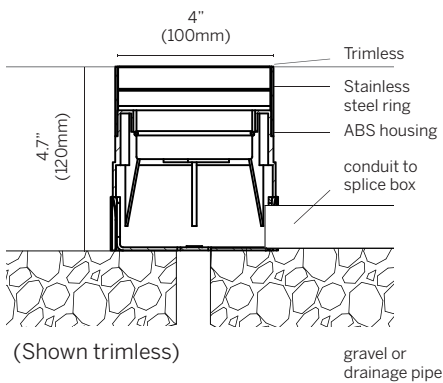
- 24 = 24VDC fixture voltage (remote driver required)

## Options

- TR = stainless steel 304 trim, size: 0.3" (7mm)
- C1 = 10' (3m) feed cable
- C2 = 20' (6m) feed cable
- C3 = 30' (9m) feed cable

## Housing

- RD100T – Trimless (standard)
- RD100C – Trim



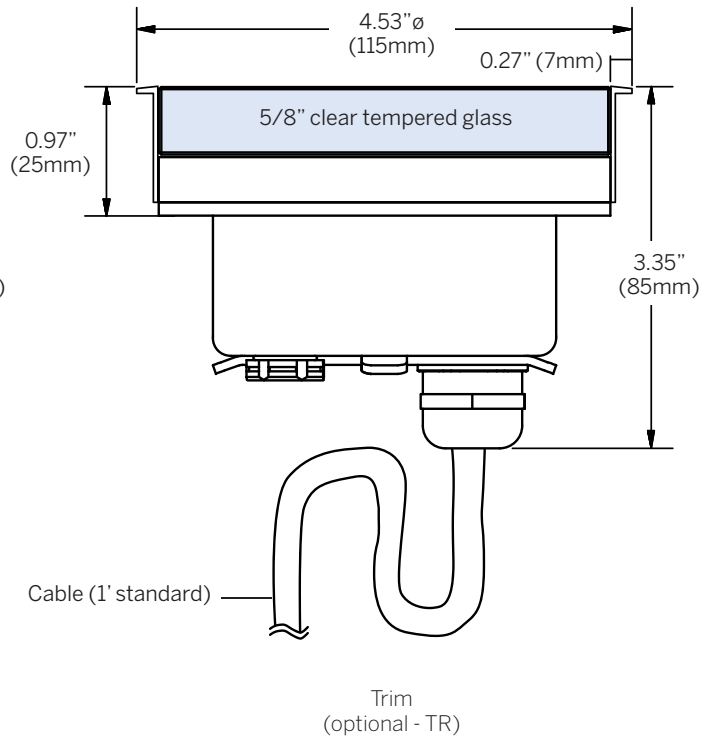
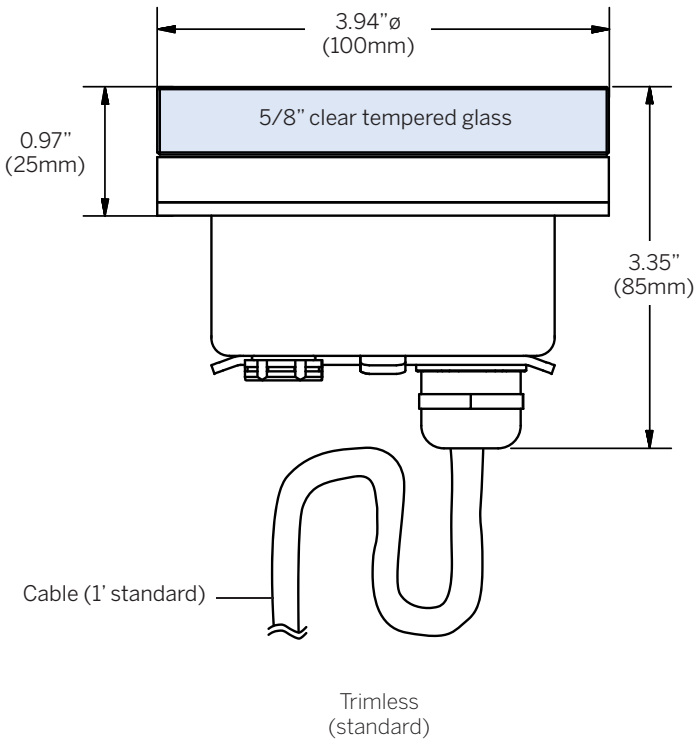
## Power Supply<sup>2</sup> (Remote)

- OT96-D010: 10% 0-10V dim, 96W, 24VDC, 120-277VAC, remote mounted, supplied in a dry location enclosure.

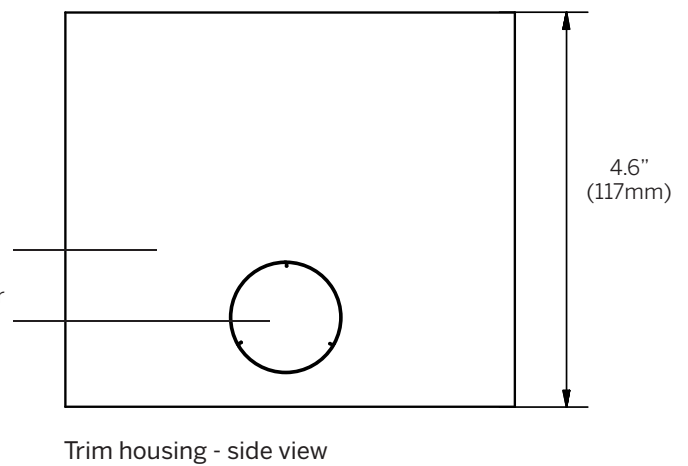
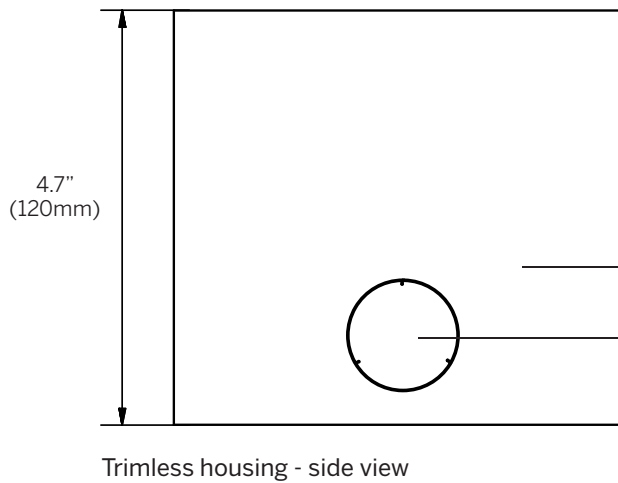
<sup>2</sup>See power supply pages for details. No enclosure, unless stated. Im80 values shown.

# RD100 Tilt Adjustable Dimensions

Fixture



Housing



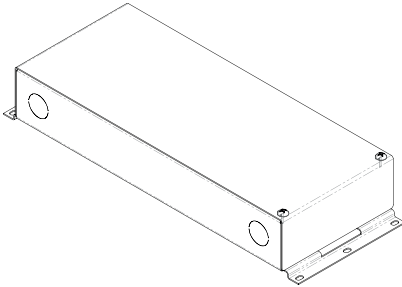
## Single Color Drivers

Qty.	Part Number	Description	Case	Nominal Input Voltage (V)	Nominal Input Current (A)	Power Factor	Output Power Range (W)	Dimming Mode	Dimming Control	Dimming Range	Location Rating
	OT96-D010	Osram 0-10V dim	1	120 277	0.97 0.39	0.9	1-96	PWM	0-10V	10 -100%	Dry

The installer and/or end user must take precautions to prevent and/or test the effects of EMI (electromagnetic interference). Maximum recommended load is 80% of driver rating.

### Case 1

Case dimensions



13.25"(L) x 5" (W) x 2.25" (H) surface mount in any orientation

### Maximum wiring distance\*

Wire gauge	Load per driver	
	Osram	
	≤48W	≤72W
#18AWG	28'	18'
#16AWG	44'	29'
#14AWG	71'	47'
#12AWG	133'	75'
#10AWG	180'	120'

\*Voltage drop guide for 24VDC. Actual Voltage drop to be calculated by installer

### 96W Non-Dim

### 96W Dim

Wiring diagrams

