

Ordering Information <sup>1</sup>							
Model	Length	Power <sup>2</sup>	Color	Optics	Voltage	Options	Housing <sup>3</sup>
F ALR					12		ALRR
F ALR	14 26	L H (no RGB)	30 40 RGB	SP FL GR	12	C2 C3	ALRR

<sup>1</sup>Specify remote power supply separately below. <sup>2</sup>Low power operates above or below water, High power underwater only. <sup>3</sup>See page 2 for installation details.

## Luminaire

- Low power operates above or below water (High power underwater only)
- Single luminaire or continuous run of standard lengths
- IP68, UL STD 676, submersible, for fountains and non habitable pools (North America only)
- Stainless steel 316L marine grade with clear tempered glass 3/8" (10mm) thick
- Installation housing, stainless steel 316L marine grade construction, direct concrete pour
- 14' (4.3m) feed cable standard

## Length

- 14 = 14.2" (360mm) OAL
- 26 = 26" (660mm) OAL

## Power 14<sup>2</sup>

- L = 12W 3000K - 4000K, 1250 lm
- H = 20W 3000K - 4000K, 2000 lm
- L = 11.5W RGB:  
R 4.1W, 170 lm; G 5.6W, 215 lm;  
B 1.8W, 36 lm

## Power 26<sup>2</sup>

- L = 24W 3000K - 4000K, 2450 lm
- H = 40W 3000K - 4000K, 4160 lm
- L = 23W RGB:  
R 8.2W, 340 lm; G 11.2W, 430 lm;  
B 3.6W, 75 lm

## Power Supply<sup>2</sup> (Remote)

- OT60-12VDC-D010: Osram 10% 0-10V dimming, 60W, 12VDC, 120-277VAC

## RGB

- D-550-20003: EldoLED LIN100D2, CV 12V DMX/Sequencer Interface, requires a 12VDC driver ordered separately. (DMX control not included)

## Color Temperature

- 30 = 3000K
- 40 = 4000K
- RGB
- 2 Step MacAdam
- CRI: > 83

## Optics

- SP = spot - 13°
- FL = flood - 31°
- GR = graze - 14 x 40°

## Voltage

- 12 = 12VDC fixture voltage

## Options

- C2 = 20' (6m) feed cable
- C3 = 30' (9m) feed cable

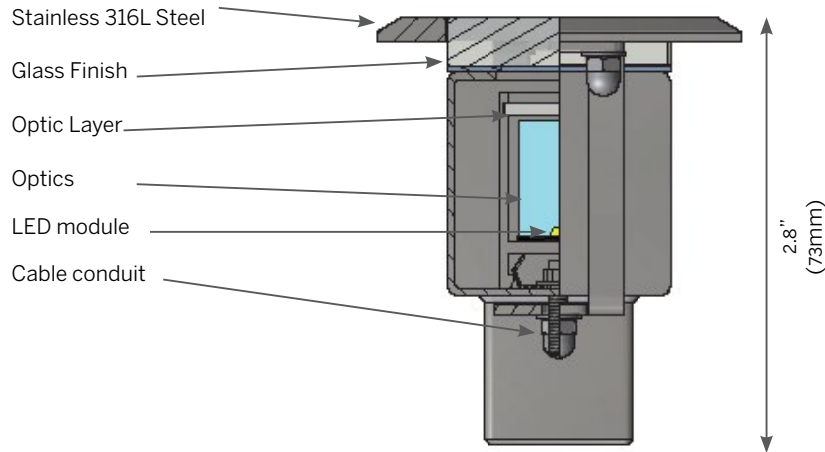
## Housing<sup>3</sup>

- ALRR = surface trim, stainless steel 316L, fountain use only

<sup>3</sup>See power supply pages for details. No enclosure, unless stated. Im80 values shown.

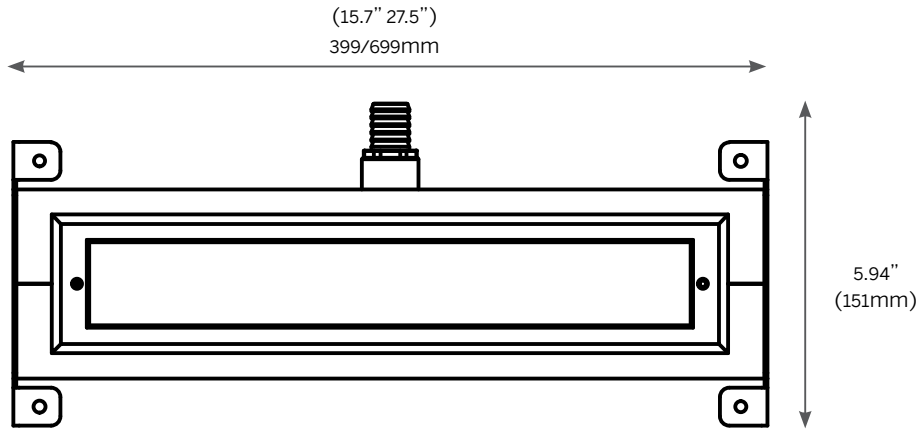
# Arpool Linear Recessed Dimensions

Optics Accessories

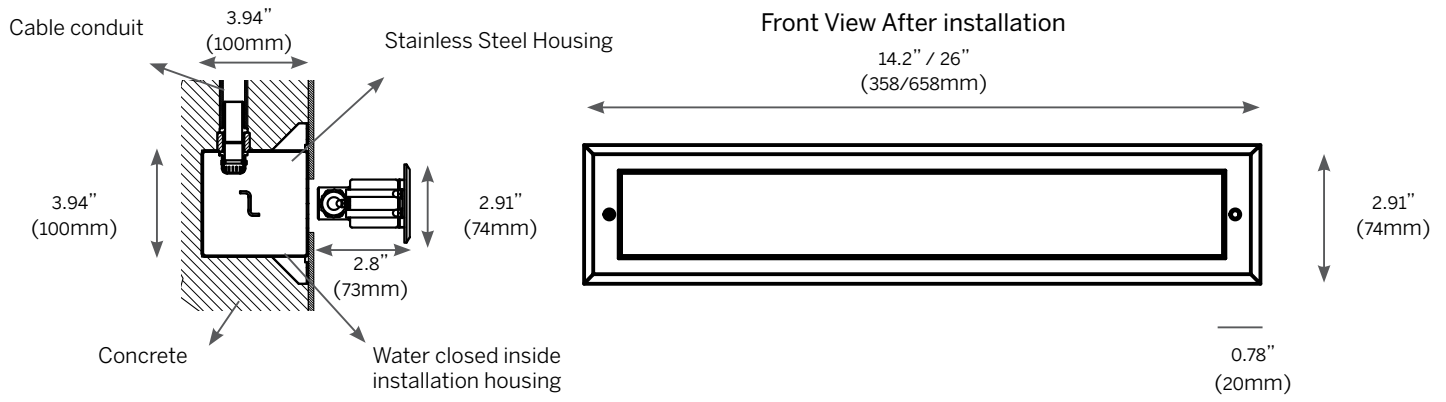


Front View with Installation housing

Fixture



Installation



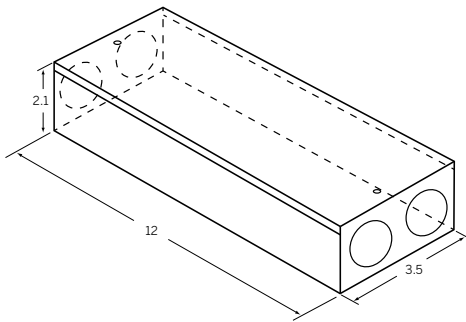
## Single Color Drivers

Qty.	Part Number	Description	Case	Nominal Input Voltage (V)	Nominal Input Current (A)	Power Factor	Output Power Range (W)	Dimming Mode	Dimming Control	Dimming Range	Location Rating
	OT60-12VDC-D010	Osram 0-10V dim	1	120 277	0.60 0.26	0.99	1-60	PWM	0-10V	10 -100%	Damp

The installer and/or end user must take precautions to prevent and/or test the effects of EMI (electromagnetic interference). Maximum recommended load is 80% of driver rating.

Case dimensions

**Case 1** (no enclosure)



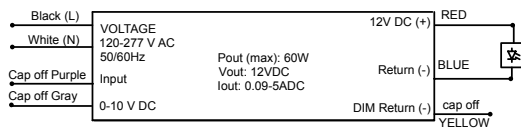
Maximum wiring distance\*

Wire gauge	Load per driver
	Osram
	≤48W
#16AWG	11'
#14AWG	18'
#12AWG	28'
#10AWG	45'

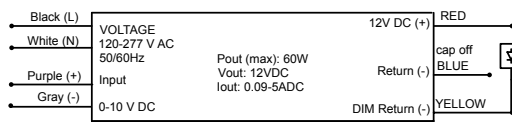
\*Voltage drop guide for 12VDC. Actual Voltage drop to be calculated by installer

Wiring diagrams

60W Non-Dim



60W Dim



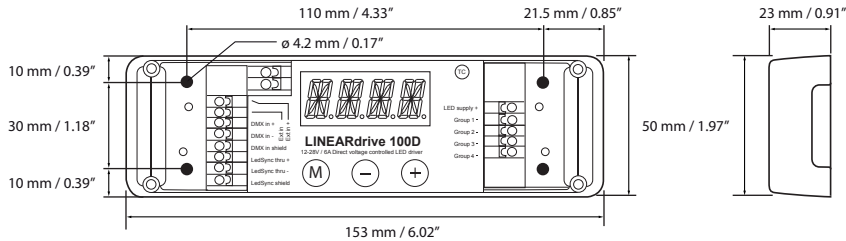
PLEASE NOTE: If powering an RGB interface D-550-20003, feed it from the OT60 driver wired as non-dim.

# Arpool Linear Recessed RGB Interface

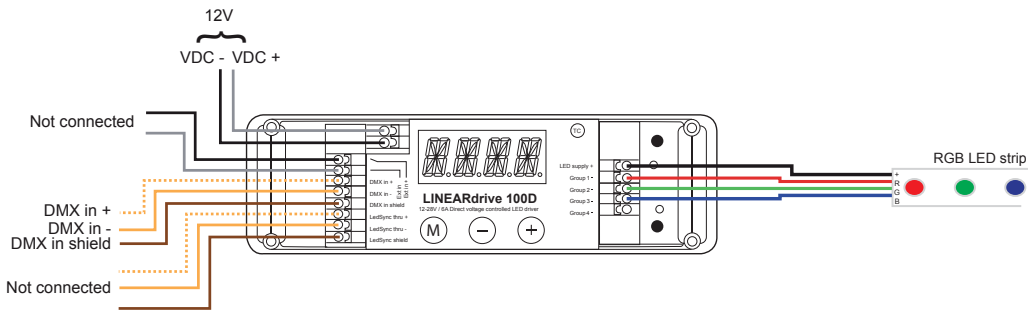
## RGB Control Interface Details

Qty.	Part Number	Description	Nominal Input Voltage (V)	Maximum Output per channel (W)	Output Power Range (W)
	D-550-20003	DMX/Sequencer Interface	12	20	60

## RGB Control case dimensions (DMX/Sequencer Interface)



## Wiring Diagram



See installation / driver instructions for details.  
Must order power supply separately