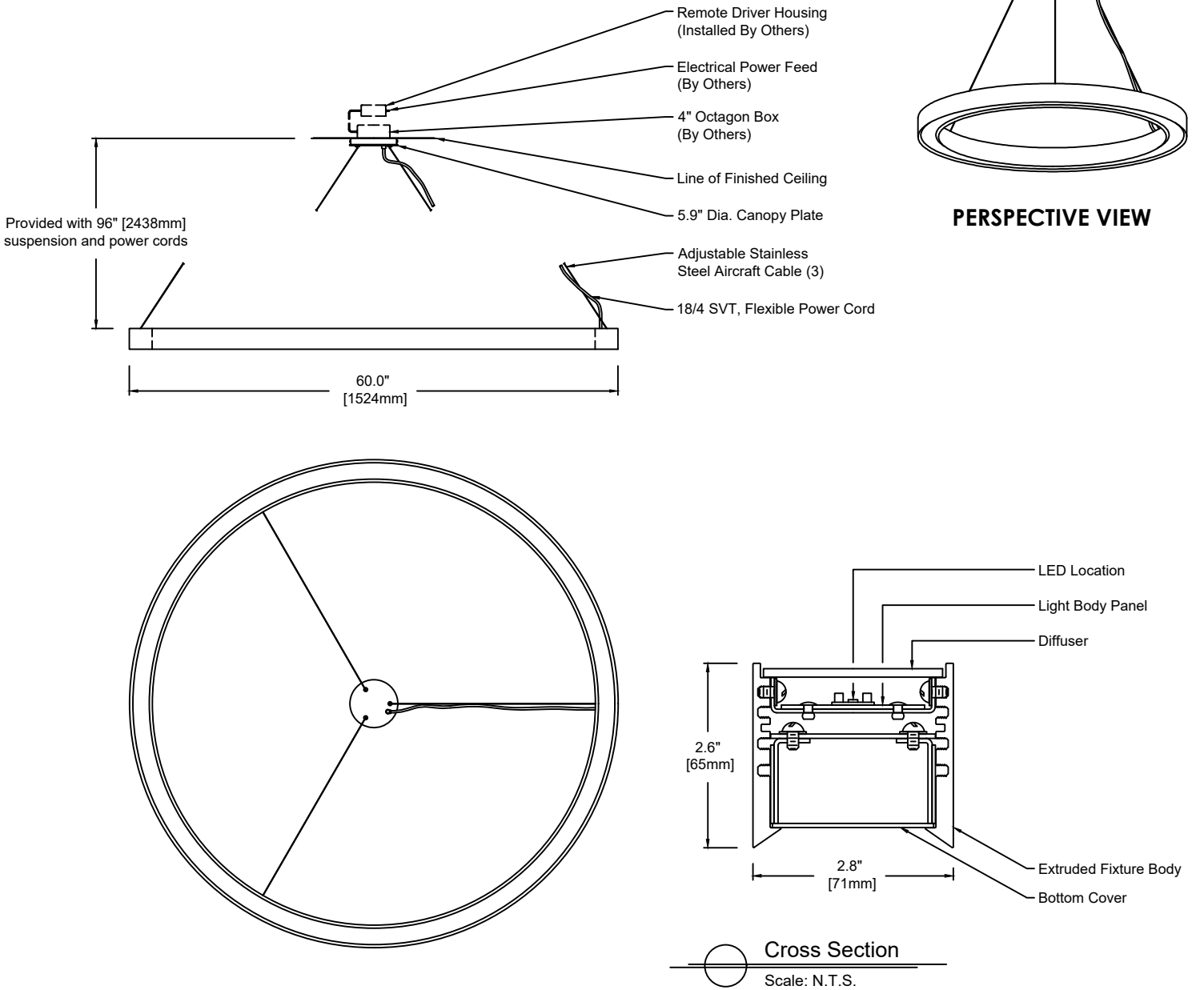


Ring U

TECHNICAL SHEET



Drawing 1 of 2

Fixture Weight : 28 lbs

1693	P	60	M	830	U	S	SA	19	CE - CC
Model	Type	Size	Wattage	Color Temp	Voltage	Control	Diffuser	Finish	Options
P - Pendant	60"	L M RGB	827 - 2,700K 830 - 3,000K 835 - 3,500K 840 - 4,000K RGB - RGB	1 - 120 VAC only U - 120/277 V	S D010 DFPN L3DAE L3D0E DMX	SA - Satin Clear Acrylic	19 - Painted Anodized Aluminum - RAL 9006 Matte 21 - Painted White - RAL 9010 Matte 26 - Painted Black - RAL 9005 Matte 22 - Painted Custom Color	CE - Center Canopy CC - Clear Insulated Cable (Standard) WC - White Cable BC - Black Cable	

Wattage and Control

Control (Remote 24V):
 S - Non-Dim
 D010 - 0-10V 10%
 DFPN - Lutron Forward Phase 1%, 120VAC
 L3DAE - Lutron Hi-Lume 1% EcoSystem
 L3D0E - Lutron Hi-Lume Premier 0.1% EcoSystem
 DMX - DMX Dimming

Wattage "L" - 45 Watt
 2,700K - 6,000 lm
 3,000K - 6,000 lm
 3,500K - 6,240 lm
 4,000K - 6,360 lm

Wattage "M" - 90 Watt
 2,700K - 11,145 lm
 3,000K - 11,145 lm
 3,500K - 11,610 lm
 4,000K - 11,835 lm

Technical Data:
 Form - linear, Operating voltage: 24VDC
 Color rendering index Ra min: 82 CRI, Available in 90 CRI
 Viewing angle: 110°
 Lifetime - L70: 60,000h
 Working temperature: -20°C to 60°C (-4°F to 140°F)

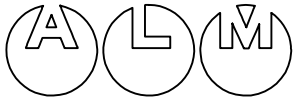
Wattage "RGB" - 162 Watt / 4,230 lm

Technical Data for RGB:
 Form - tape, Operating voltage: 24VDC
 Viewing angle: 120°
 Lifetime - L70: 50,000h
 Working temperature: -30°C to 75°C (-22°F to 167°F)

Remote Drivers:
 Max. wiring distance / Load

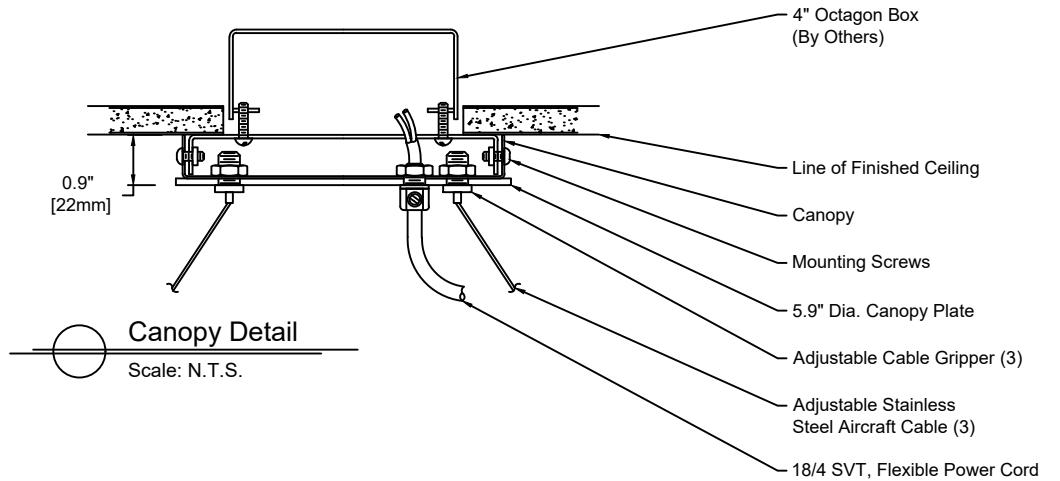
Wire Gauge	Osram		Lutron	
	≤48W	≤72W	≤96W	≤40W ≤96W
#18AWG	37'	25'	18'	15' 25'
#16AWG	59'	39'	29'	25' 40'
#14AWG	95'	63'	47'	40' 60'



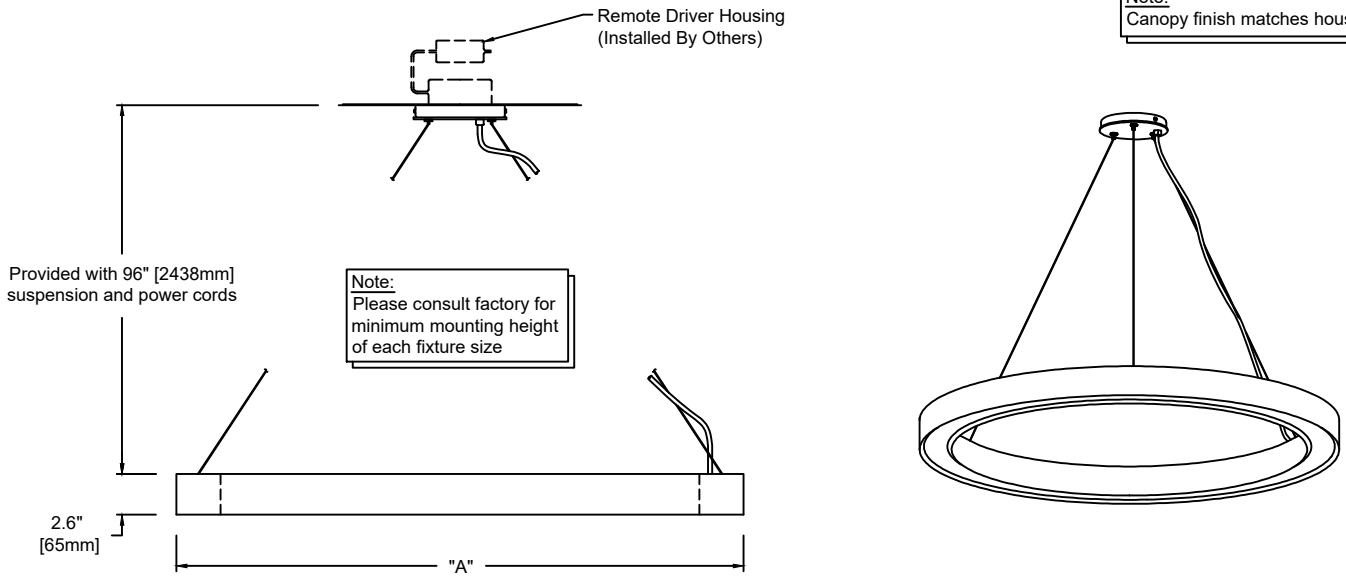


Ring U

TECHNICAL SHEET



Note:
Canopy finish matches housing



Drawing 2 of 2

Series: 1693

Wire Gauge	Osram			Lutron	
	≤48W	≤72W	≤96W	≤40W	≤96W
#18AWG	37'	25'	18'	15'	25'
#16AWG	59'	39'	29'	25'	40'
#14AWG	95'	63'	47'	40'	60'