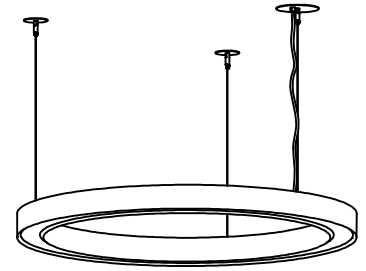
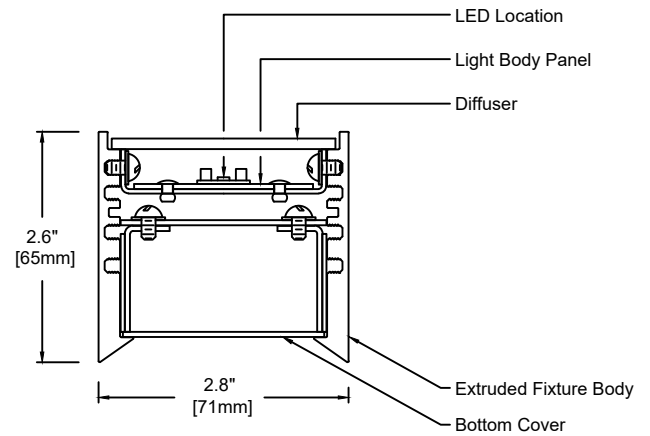
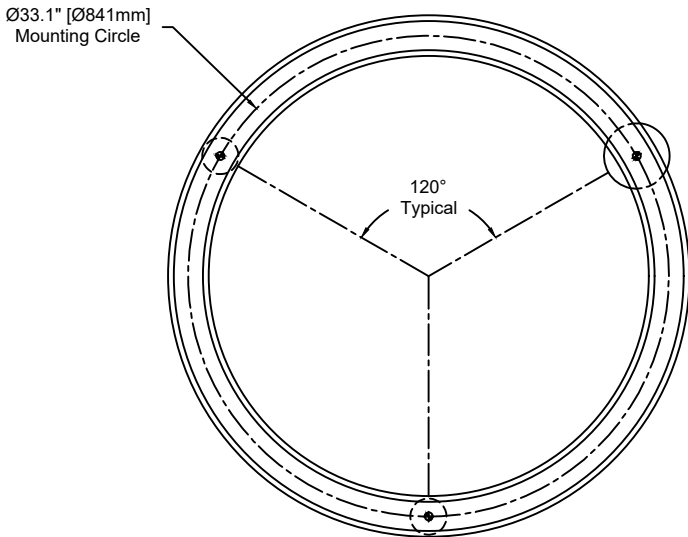
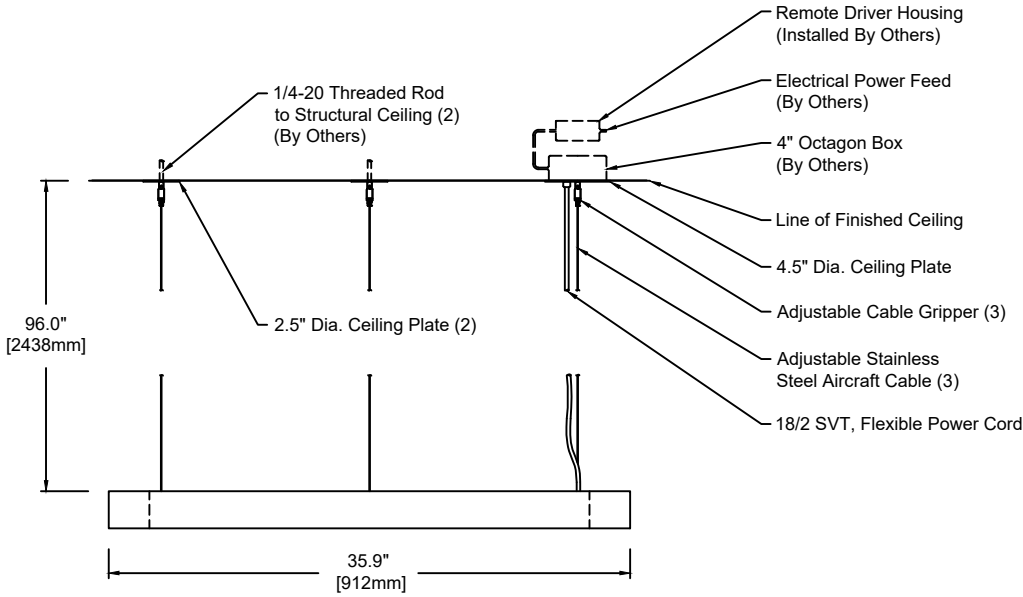


# Ring U

## TECHNICAL SHEET



PERSPECTIVE VIEW



Cross Section  
Scale: N.T.S.

Drawing 1 of 2

Fixture Weight : 17 lbs

1693	P	36	M	830	U	S	SA	19	SC - CC
Model	Type	Size	Wattage	Color Temp	Voltage	Control	Diffuser	Finish	Options
P - Pendant	36"	L M RGB	827 - 2,700K 830 - 3,000K 835 - 3,500K 840 - 4,000K RGB - RGB	1 - 120 VAC only U - 120/277 V	S D010 DFPN L3DAE L3D0E DMX	SA - Satin Clear Acrylic	19 - Painted Anodized Aluminum - RAL 9006 Matte 21 - Painted White - RAL 9010 Matte 26 - Painted Black - RAL 9005 Matte 22 - Painted Custom Color	SC - Straight Cables CC - Clear Insulated Cable (Standard) WC - White Cable BC - Black Cable	

**Wattage and Control**

Control (Remote 24V):  
S - Non-Dim  
D010 - 0-10V 10%  
DFPN - Lutron Forward Phase 1%, 120VAC  
L3DAE - Lutron Hi-Lume 1% EcoSystem  
L3D0E - Lutron Hi-Lume Premier 0.1% EcoSystem  
DMX - DMX Dimming

Wattage "L" - 26 Watt  
2,700K - 3,467 lm  
3,000K - 3,467 lm  
3,500K - 3,606 lm  
4,000K - 3,675 lm

Wattage "M" - 52 Watt  
2,700K - 6,440 lm  
3,000K - 6,440 lm  
3,500K - 6,708 lm  
4,000K - 6,838 lm

Technical Data:  
Form - linear, Operating voltage: 24VDC  
Color rendering index Ra min: 82 CRI, Available in 90 CRI  
Viewing angle: 110°  
Lifetime - L70: 60,000h  
Working temperature: -20°C to 60°C (-4°F to 140°F)

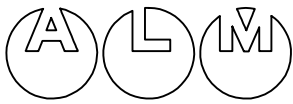
Wattage "RGB" - 92 Watt / 2,397 lm

Technical Data for RGB:  
Form - tape, Operating voltage: 24VDC  
Viewing angle: 120°  
Lifetime - L70: 50,000h  
Working temperature: -30°C to 75°C (-22°F to 167°F)

Remote Drivers:  
Max. wiring distance / Load

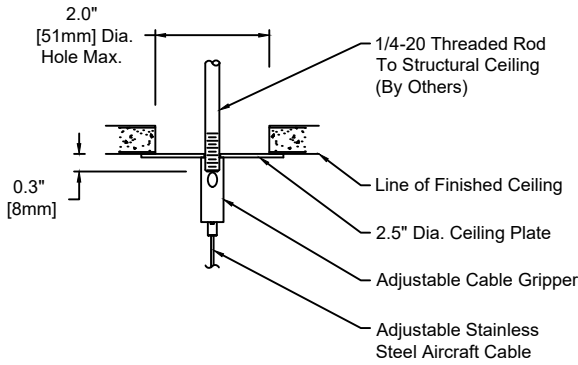
Wire Gauge	Osram		Lutron	
	≤48W	≤72W	≤96W	≤40W / ≤96W
#18AWG	37'	25'	18'	15' / 25'
#16AWG	59'	39'	29'	25' / 40'
#14AWG	95'	63'	47'	40' / 60'





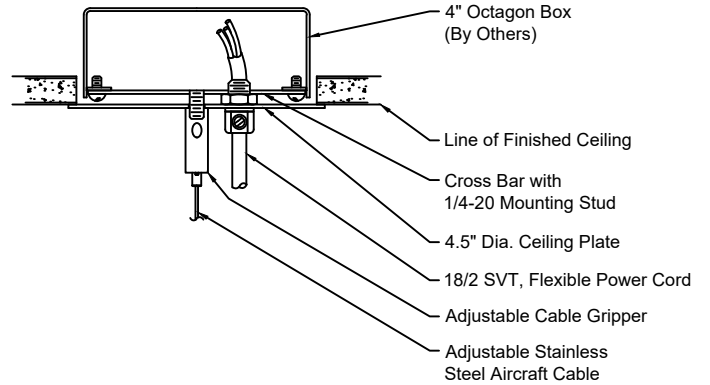
# Ring U

## TECHNICAL SHEET



Ceiling Plate Detail - Typ. (2)

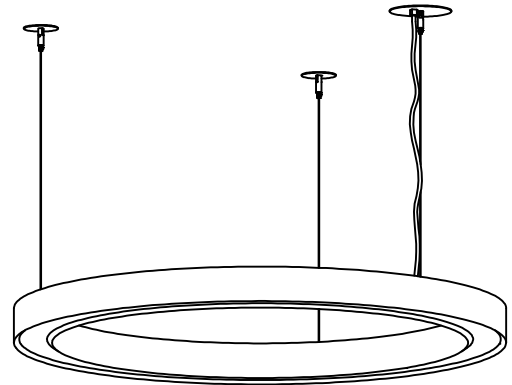
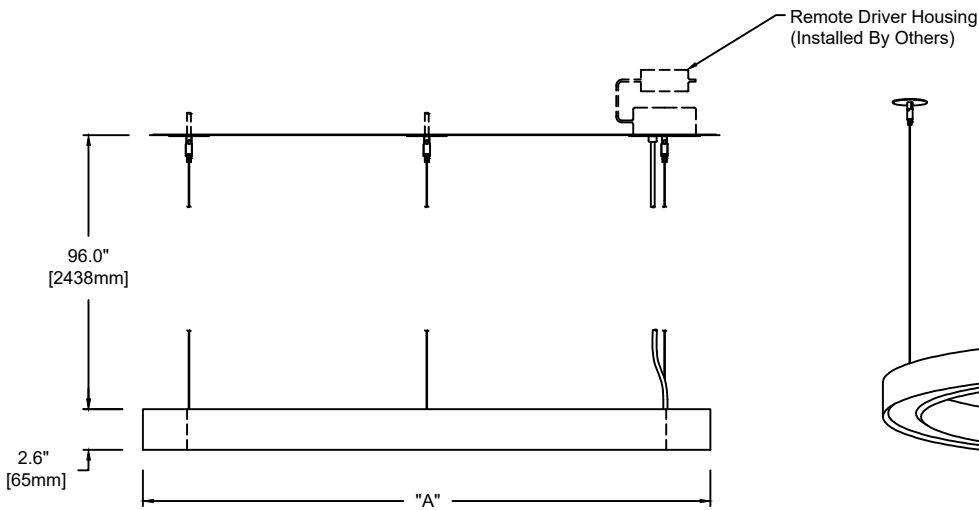
Scale: N.T.S.



Ceiling Plate - Octagon Box Detail

Scale: N.T.S.

Note:  
Ceiling plate finish matches housing



Straight Cables Mounting

Scale: N.T.S.

Drawing 2 of 2

Series: 1693

Wire Gauge	Osram			Lutron	
	≤48W	≤72W	≤96W	≤40W	≤96W
#18AWG	37'	25'	18'	15'	25'
#16AWG	59'	39'	29'	25'	40'
#14AWG	95'	63'	47'	40'	60'