



**WARNING:**

INSTALL PRODUCT IN ACCORDANCE WITH LOCAL AND NATIONAL ELECTRICAL CODES BY A QUALIFIED ELECTRICIAN OR ELECTRICAL CONTRACTOR.



**WARNING:**

FAILURE TO COMPLY WITH THE INSTALLATION INSTRUCTIONS MAY RESULT IN DEATH OR SERIOUS INJURY



**WARNING:**

READ ALL SAFETY INSTRUCTIONS INCLUDED WITH LUMINAIRE BEFORE INSTALLING LUMINAIRE.

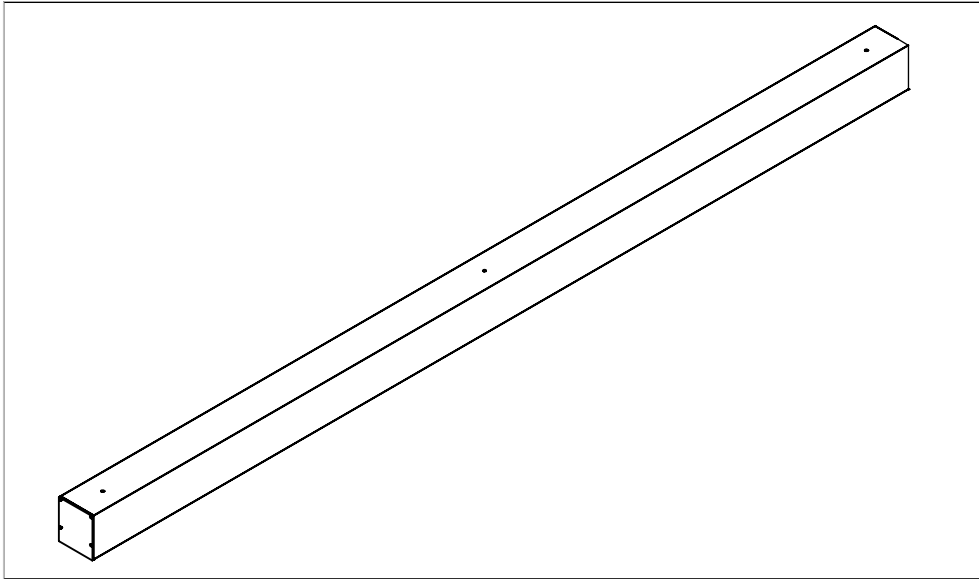
**CAUTION:**

THIS IS AN ELECTRONIC DEVICE. CARE MUST BE TAKEN DURING STORAGE AND HANDLING. STORE IN A CLEAN, COOL AND DRY LOCATION. ELECTROSTATIC DISCHARGE (ESD) CAN HARM THIS PRODUCT. AVOID STATIC DISCHARGE WHILE HANDLING THIS PRODUCT.

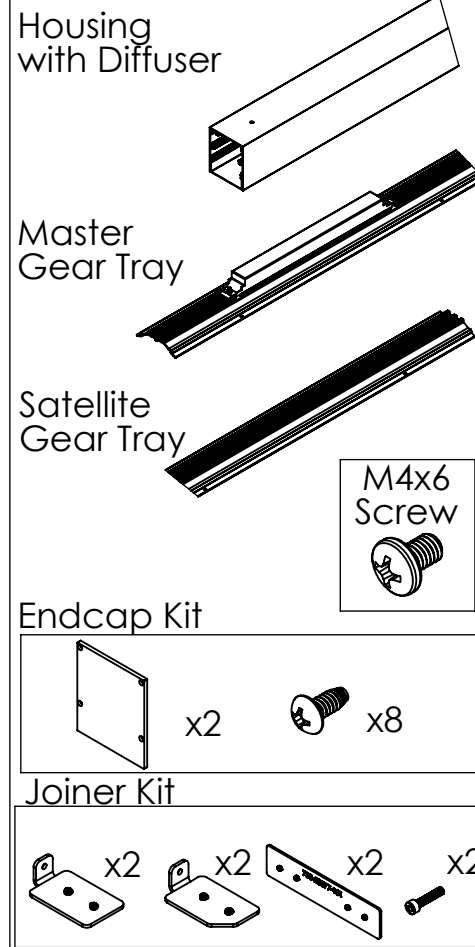
**CAUTION:**

INTER-LUX IS NOT RESPONSIBLE FOR THE STRUCTURAL INTEGRITY OF THE BUILDING TO SUPPORT THE LUMINAIRE. ADDITIONAL BACKING MAY BE REQUIRED.

**ISOMETRIC VIEWS**



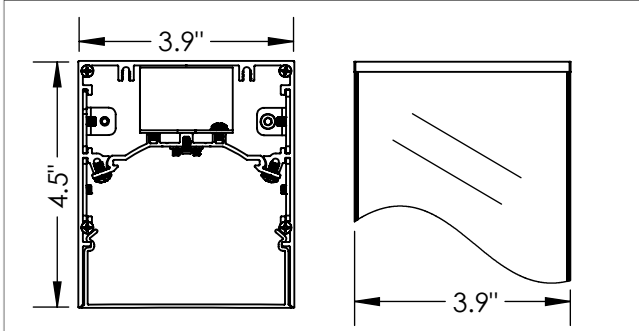
**PACKAGE MAY INCLUDE:** (refer to package list to identify parts)



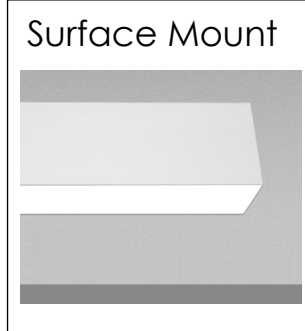
**ITEMS NEEDED (SUPPLIED BY OTHERS):**

- Phillips Head Screwdriver
- #2 Screwdriver
- M3 Hex head Allen Key
- Wire Connectors
- Wire Strippers
- Mounting Screws

**MOUNTING DIMENSIONS**



**MOUNTING OPTIONS**



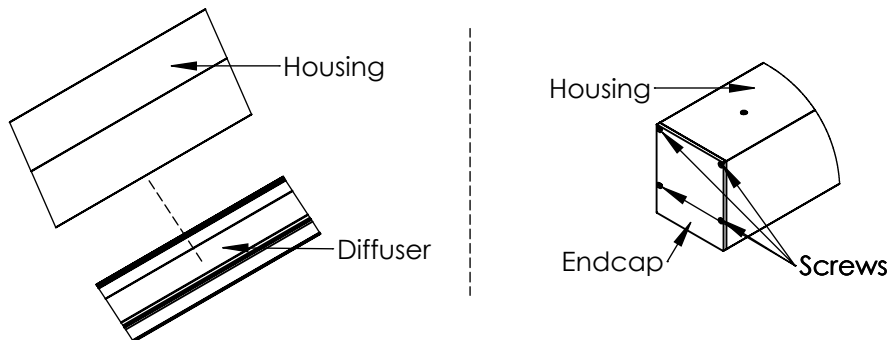
**INSTALLATION INSTRUCTIONS**

LOCATE AND REVIEW ANY CONSTRUCTION PLANS AND INTERLUX RECORD DRAWINGS FOR ALL FIXTURE RUNS.

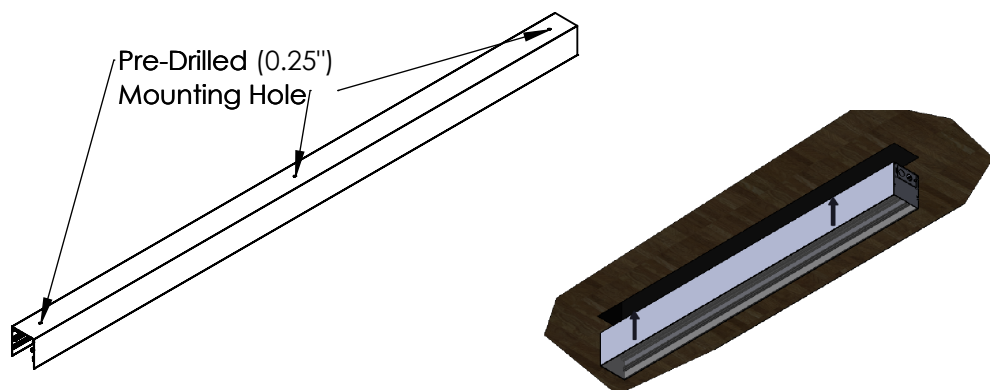
It is recommended to locate and lay out all components for each fixture "run". A fixture run typically consist of endcaps, joiners, lengths of housings with diffuser, and lengths of gear trays (satellite and master). BE SURE TO IDENTIFY ALL CORRECT LENGTHS FOR EACH FIXTURE RUN.

**Step 1: Turn off Power before Installing.**

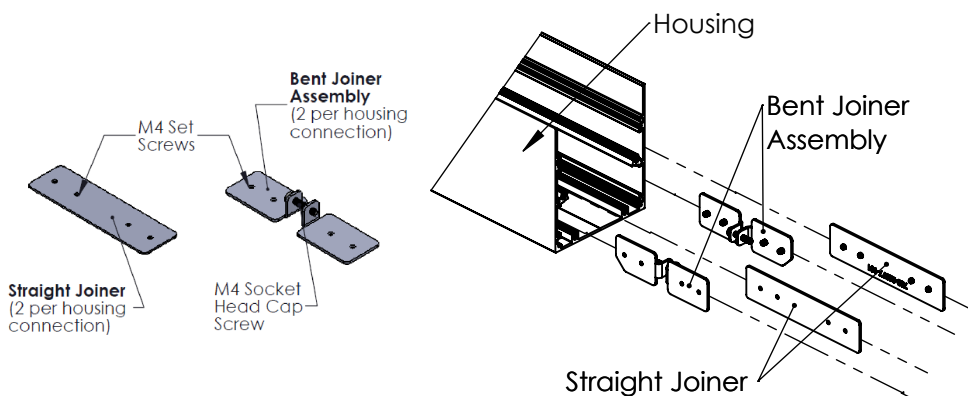
Remove diffuser from housing and lay off to the side. Starting with first housing, install SM100LDL endcap using screws provided in endcap kit. (If single fixture install endcaps on both sides of housing)



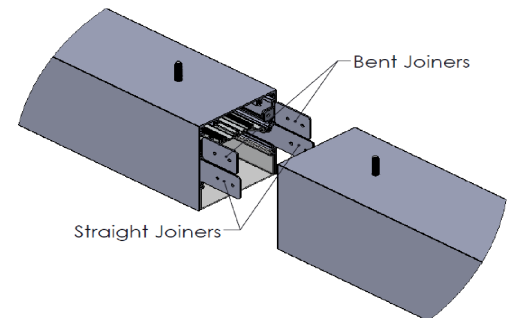
**Step 2:** Mount housing to surface using mounting screws (0.25" diameter pre-drilled holes). Mounting screw must be able to hold weight of the fixture)



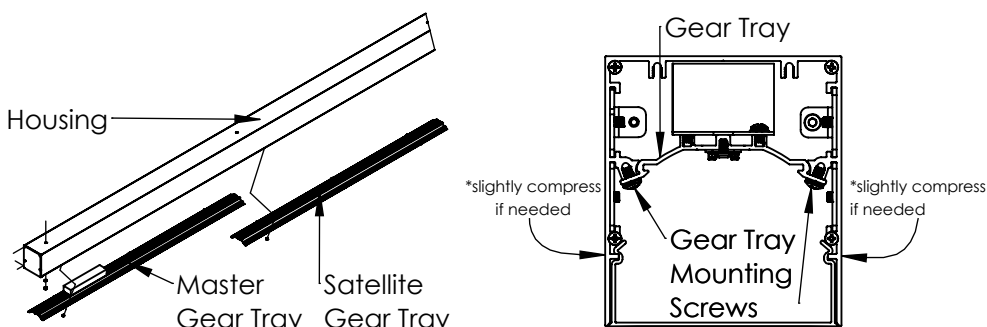
**Step 3: (If single housing skip this step)** Assemble Bent joiners. Place one bent joiner assembly and one straight joiner on each side of housing as seen below. Tighten set screws using Allen Key.



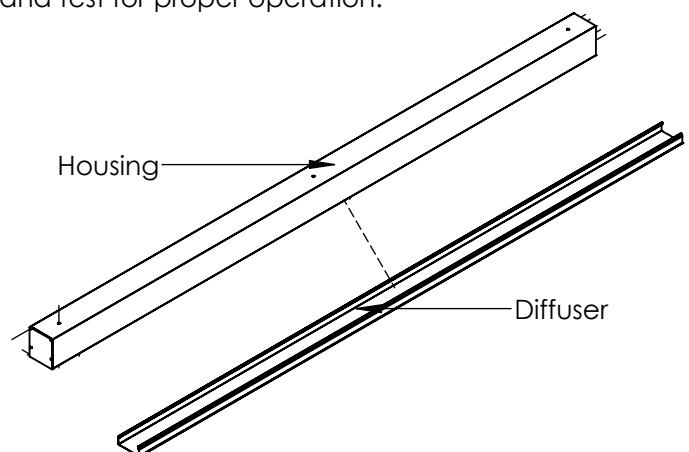
**Step 4: (If single housing skip this step)** Place next housing in ceiling end to end with first housing, slide joiners across housing seam so they are joining both housings. Tighten set screws on bent joiners, tighten the M4 Cap screw on bent joiners, tighten set screws on straight joiners. Mount housing. Repeat steps 3-4 until all housing are installed and mounted. Install endcap on last housing as seen in step 1.



**Step 5:** Feed power cables through feed hole in housing. Install 100LDL Gear Trays making electric connections first then insert gear tray into housing. Refer to pages 2&3 for wiring diagrams if needed. Refer to record drawings for gear tray placement. Secure gear tray to housing using provided screws in pre-drilled holes. If needed, slightly compress sides of housing to properly align gear tray holes with housing. Repeat this step until all gear trays are installed.



**Step 6:** Re-install diffuser and ensure it is flush along the length of the run. Energize and test for proper operation.





**WARNING:**

INSTALL PRODUCT IN ACCORDANCE WITH LOCAL AND NATIONAL ELECTRICAL CODES BY A QUALIFIED ELECTRICIAN OR ELECTRICAL CONTRACTOR.



**WARNING:**

FAILURE TO COMPLY WITH THE INSTALLATION INSTRUCTIONS MAY RESULT IN DEATH OR SERIOUS INJURY



**WARNING:**

READ ALL SAFETY INSTRUCTIONS INCLUDED WITH LUMINAIRE BEFORE INSTALLING LUMINAIRE.

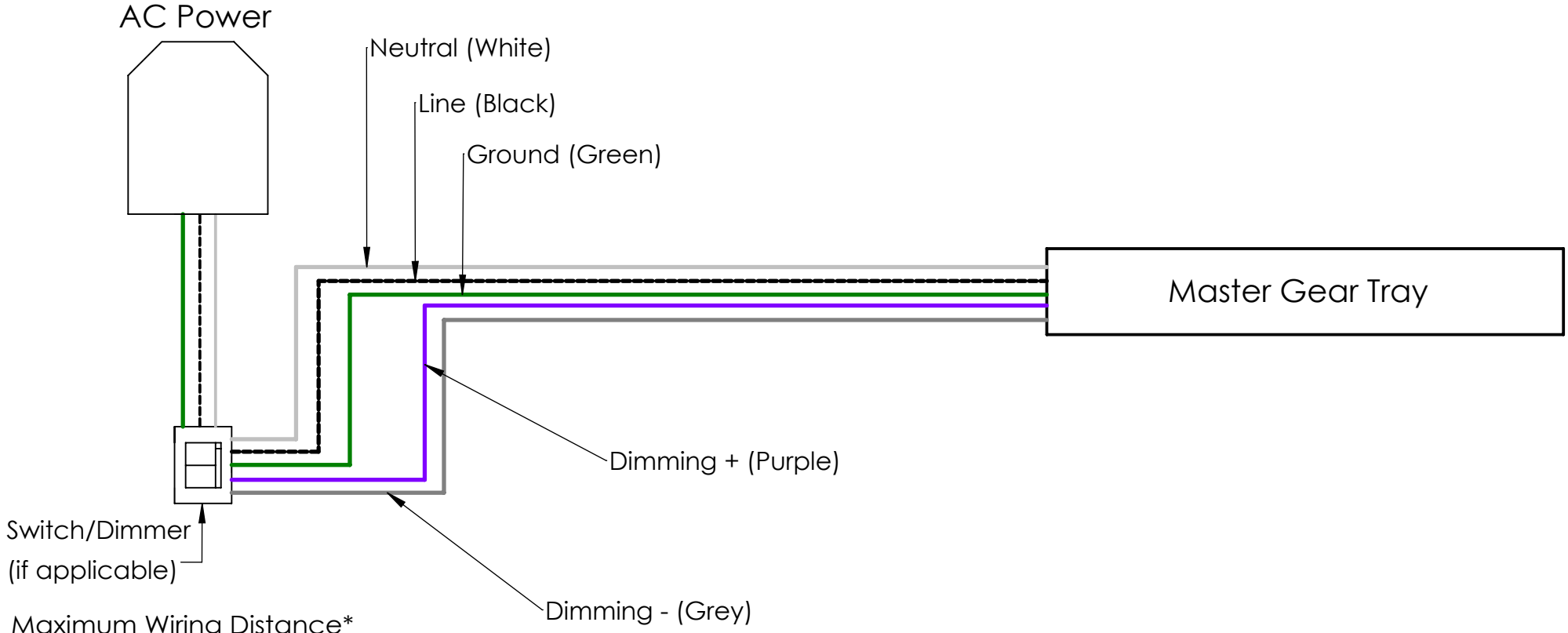
**CAUTION:**

THIS IS AN ELECTRONIC DEVICE. CARE MUST BE TAKEN DURING STORAGE AND HANDLING. STORE IN A CLEAN, COOL AND DRY LOCATION. ELECTROSTATIC DISCHARGE (ESD) CAN HARM THIS PRODUCT. AVOID STATIC DISCHARGE WHILE HANDLING THIS PRODUCT.

**CAUTION:**

INTER-LUX IS NOT RESPONSIBLE FOR THE STRUCTURAL INTEGRITY OF THE BUILDING TO SUPPORT THE LUMINAIRE. ADDITIONAL BACKING MAY BE REQUIRED.

**Wiring Key**



Maximum Wiring Distance\*

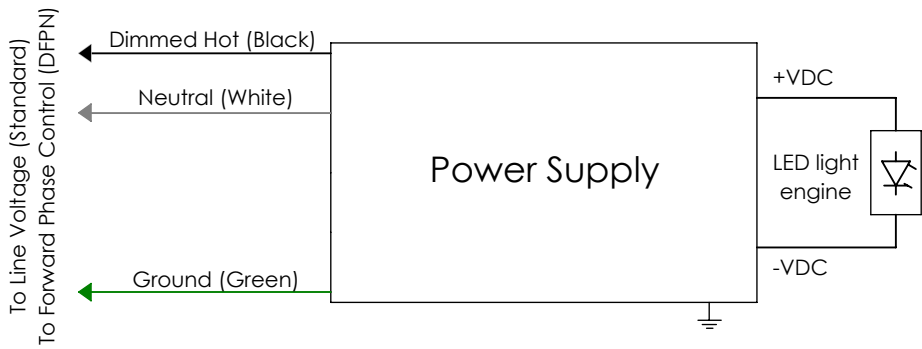
| Wire Gauge | Maximum Lead Length |       |       |        |
|------------|---------------------|-------|-------|--------|
|            | Osram               |       |       | Lutron |
|            | ≤ 48W               | ≤ 72W | ≤ 96W | ≤ 40W  |
| #18AWG     | 37'                 | 25'   | 18'   | 15'    |
| #16AWG     | 59'                 | 39'   | 29'   | 25'    |
| #14AWG     | 95'                 | 63'   | 47'   | 40'    |
| #12AWG     | 151'                | 101'  | 75'   | 60'    |

\*Actual Voltage drop to be calculated by installer

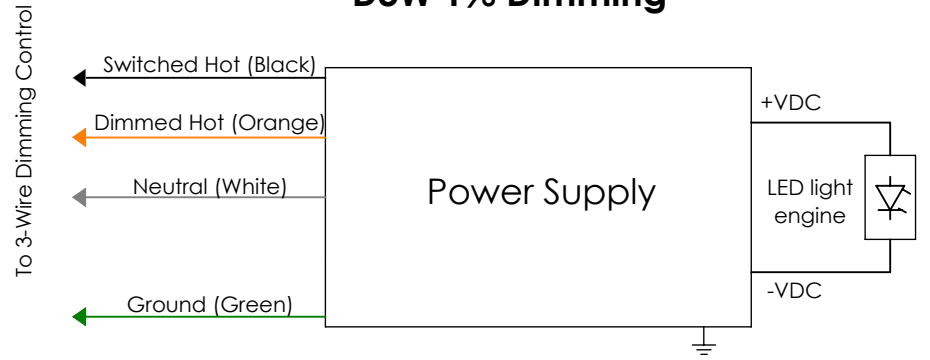
| Red      | Blue     | Green  | Black | White   | Purple    | Grey      |
|----------|----------|--------|-------|---------|-----------|-----------|
|          |          |        |       |         |           |           |
| Positive | Negative | Ground | Line  | Neutral | Dimming + | Dimming - |

**Driver Wiring Diagrams**

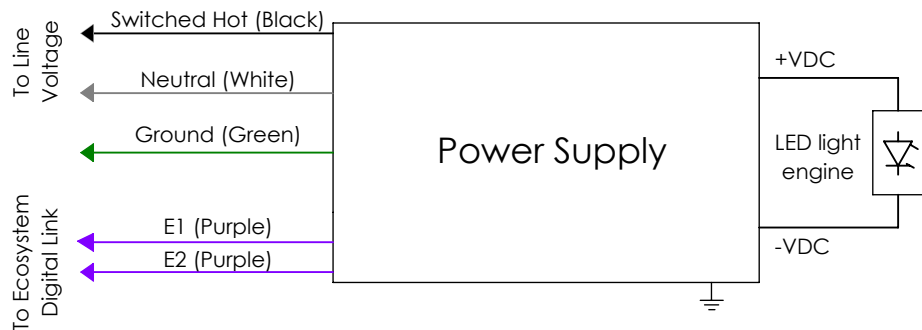
**Standard Non-Dimming/DFPN Dimming**



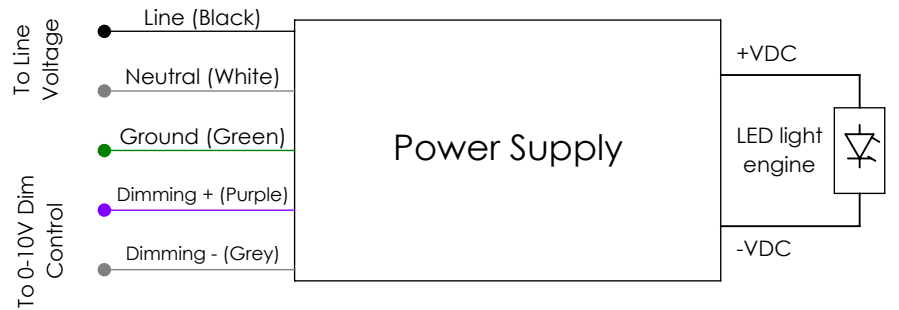
**D3W 1% Dimming**



**DES 1% Dimming**



**0-10V Dimming**



**NOTE: ALL DRIVERS ARE INTER-LUX PROVIDED. FOR NON INTER-LUX DRIVERS PLEASE REFER TO DRIVER MANUFACTURERS. THE USE OF NON INTER-LUX DRIVERS VOIDS PRODUCT WARRANTY**



**WARNING:**

INSTALL PRODUCT IN ACCORDANCE WITH LOCAL AND NATIONAL ELECTRICAL CODES BY A QUALIFIED ELECTRICIAN OR ELECTRICAL CONTRACTOR.



**WARNING:**

FAILURE TO COMPLY WITH THE INSTALLATION INSTRUCTIONS MAY RESULT IN DEATH OR SERIOUS INJURY



**WARNING:**

READ ALL SAFETY INSTRUCTIONS INCLUDED WITH LUMINAIRE BEFORE INSTALLING LUMINAIRE.

**CAUTION:**

THIS IS AN ELECTRONIC DEVICE. CARE MUST BE TAKEN DURING STORAGE AND HANDLING. STORE IN A CLEAN, COOL AND DRY LOCATION. ELECTROSTATIC DISCHARGE (ESD) CAN HARM THIS PRODUCT. AVOID STATIC DISCHARGE WHILE HANDLING THIS PRODUCT.

**CAUTION:**

INTER-LUX IS NOT RESPONSIBLE FOR THE STRUCTURAL INTEGRITY OF THE BUILDING TO SUPPORT THE LUMINAIRE. ADDITIONAL BACKING MAY BE REQUIRED.

**WIRING DIAGRAM**

