



WARNING:

INSTALL PRODUCT IN ACCORDANCE WITH LOCAL AND NATIONAL ELECTRICAL CODES; BY A QUALIFIED ELECTRICIAN.



WARNING:

FAILURE TO COMPLY WITH THE INSTALLATION INSTRUCTIONS MAY RESULT IN DEATH OR SERIOUS INJURY.



WARNING:

READ ALL SAFETY INSTRUCTIONS INCLUDED WITH LUMINAIRE BEFORE INSTALLING LUMINAIRE.

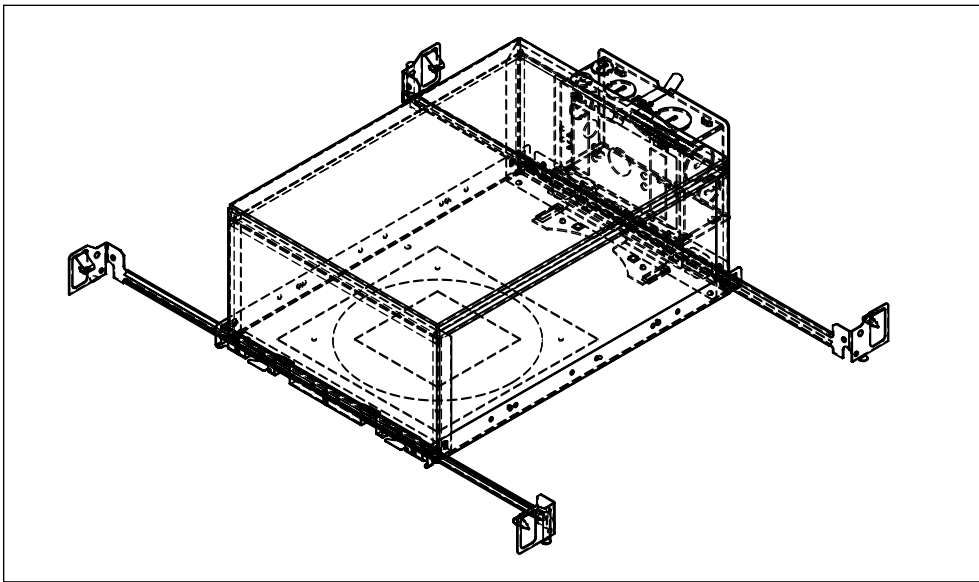
CAUTION:

THIS IS AN ELECTRONIC DEVICE. CARE MUST BE TAKEN DURING STORAGE AND HANDLING. STORE IN A CLEAN, COOL AND DRY LOCATION. ELECTROSTATIC DISCHARGE (ESD) CAN HARM THIS PRODUCT. AVOID STATIC DISCHARGE WHILE HANDLING THIS PRODUCT.

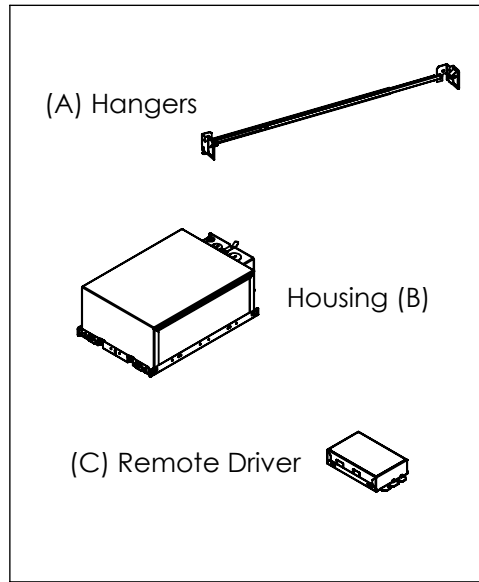
CAUTION:

INTER-LUX IS NOT RESPONSIBLE FOR THE STRUCTURAL INTEGRITY OF THE BUILDING TO SUPPORT THE LUMINAIRE. ADDITIONAL BACKING MAY BE REQUIRED.

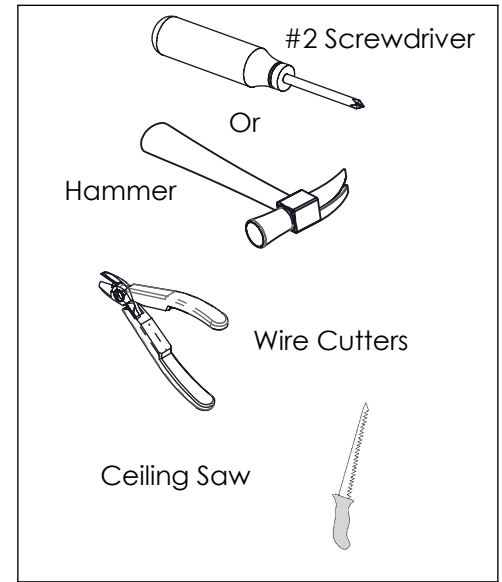
ISOMETRIC VIEWS



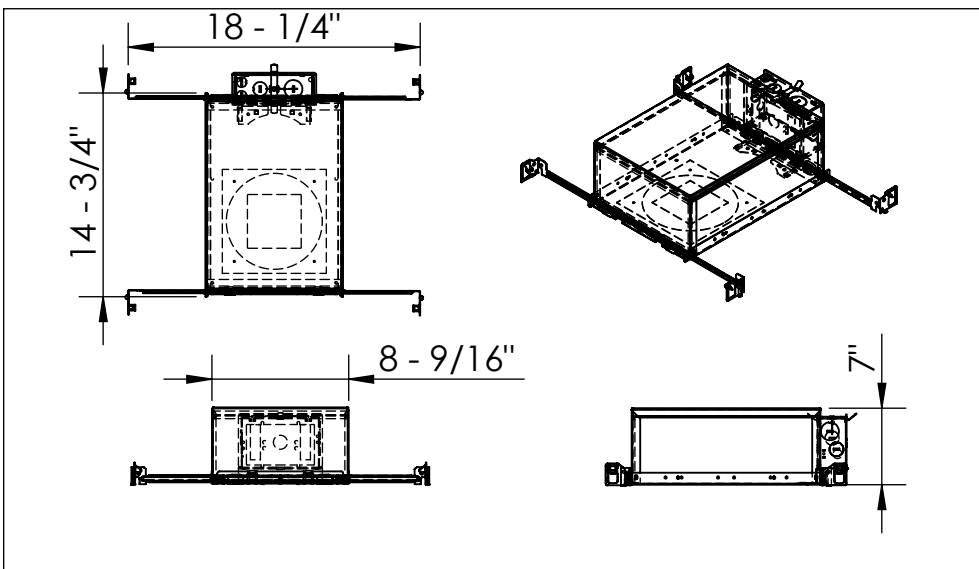
PACKAGE INCLUDES:



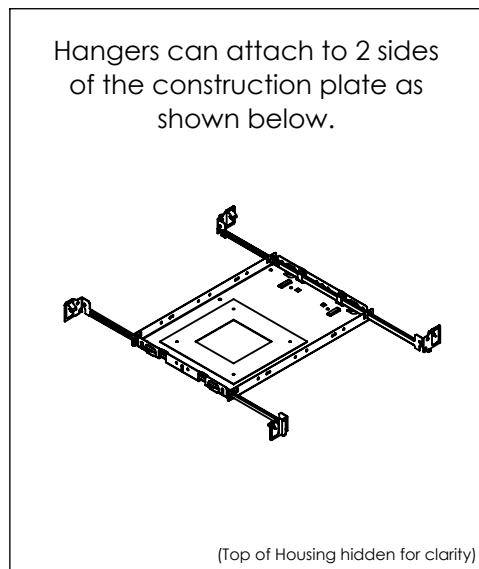
ITEMS NEEDED (SUPPLIED BY OTHERS):



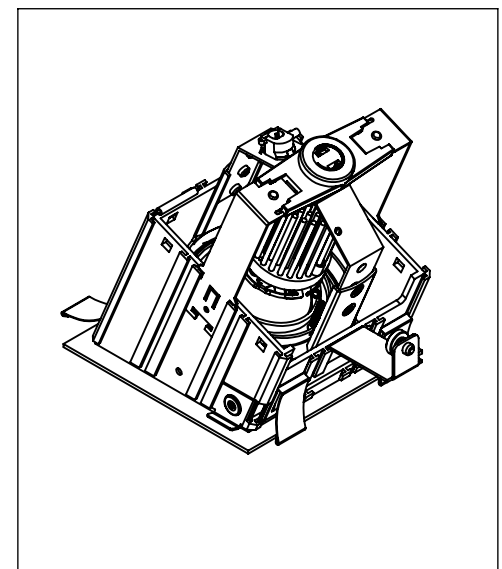
MOUNTING DIMENSIONS



MOUNTING POSITIONS

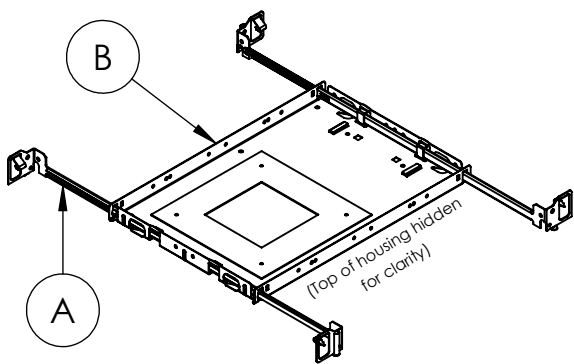


PRODUCT

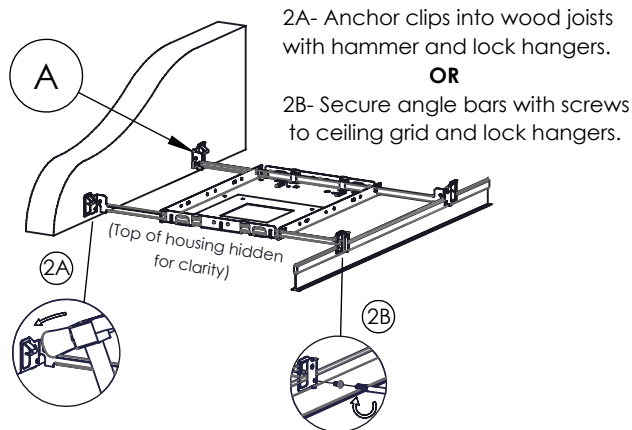


SURFACE MOUNT INSTALLATION STEPS

Step 1: Attach the Hangers (A) to the CP/IC Housing (B).

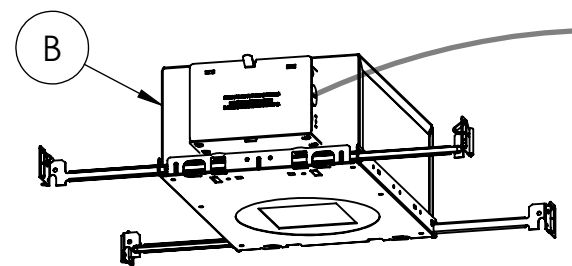


Step 2: Determine mounting position, adjust width of Hangers (A) until flush with surface.

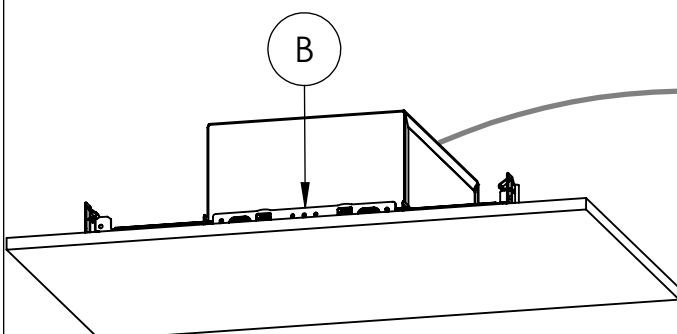


TURN OFF MAIN POWER BEFORE PROCEEDING!

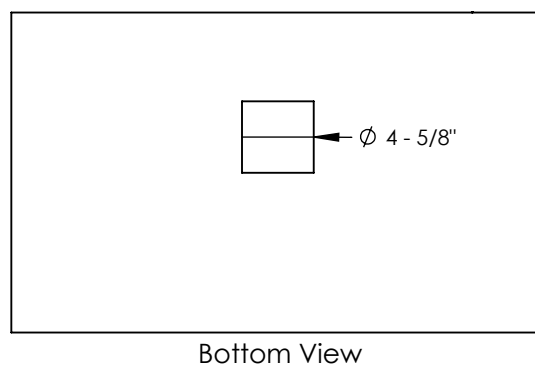
Step 3: Install your Remote Driver (C) and pull DC Power through the knockout into the Housing (B).



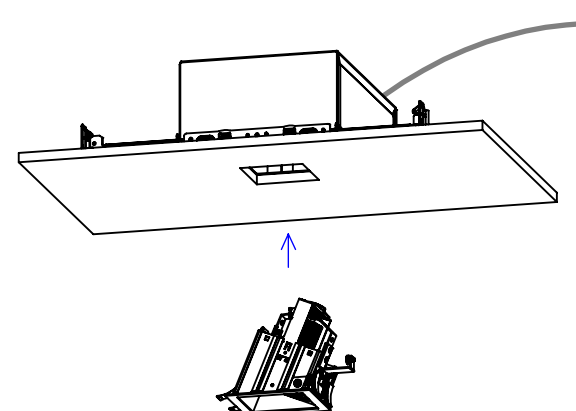
Step 4: Install the ceiling. Make sure that the Housing (B) is flat on top of the ceiling.



Step 5: Cut ceiling hole that matches the position and dimensions of the Construction Plate (B) hole.

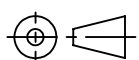


Step 6: Install product (refer to Product Installation Instructions on back).



DIMENSIONS ARE IN INCHES
TOLERANCES:
FRACTIONAL
ANGULAR: MACH ± 0.5 BEND ± 1.0
ONE PLACE DECIMAL ± 0.05
TWO PLACE DECIMAL ± 0.01
THREE PLACE DECIMAL ± 0.005

3RD ANGLE PROJECTION



WARNING:
INSTALL PRODUCT IN ACCORDANCE WITH LOCAL AND NATIONAL ELECTRICAL CODES; BY A QUALIFIED ELECTRICIAN.

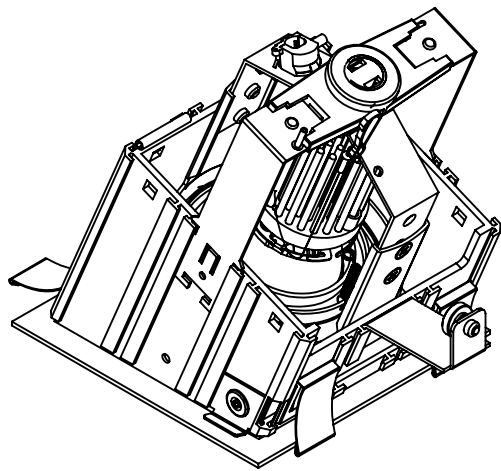
WARNING:
FAILURE TO COMPLY WITH THE INSTALLATION INSTRUCTIONS MAY RESULT IN DEATH OR SERIOUS INJURY.

WARNING:
READ ALL SAFETY INSTRUCTIONS INCLUDED WITH LUMINAIRE BEFORE INSTALLING LUMINAIRE. KEEP THESE INSTRUCTIONS FOR FUTURE REFERENCE.

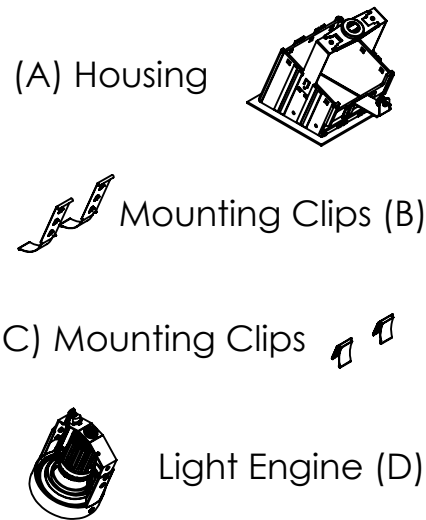
CAUTION:
THIS IS AN ELECTRONIC DEVICE. CARE MUST BE TAKEN DURING STORAGE AND HANDLING. STORE IN A CLEAN, COOL AND DRY LOCATION. ELECTROSTATIC DISCHARGE (ESD) CAN HARM THIS PRODUCT. AVOID STATIC DISCHARGE WHILE HANDLING THIS PRODUCT.

CAUTION:
INTER-LUX IS NOT RESPONSIBLE FOR THE STRUCTURAL INTEGRITY OF THE BUILDING TO SUPPORT THE LUMINAIRE. ADDITIONAL BACKING MAY BE REQUIRED.

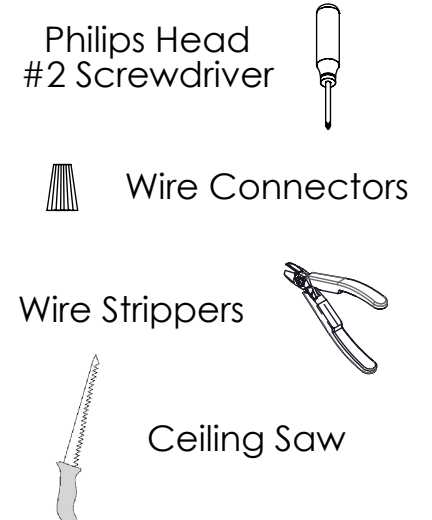
ISOMETRIC VIEWS



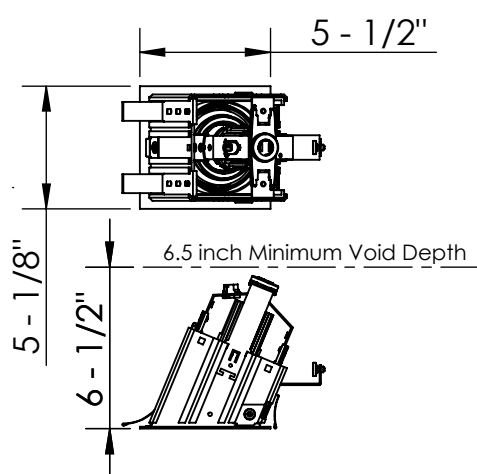
PACKAGE INCLUDES:



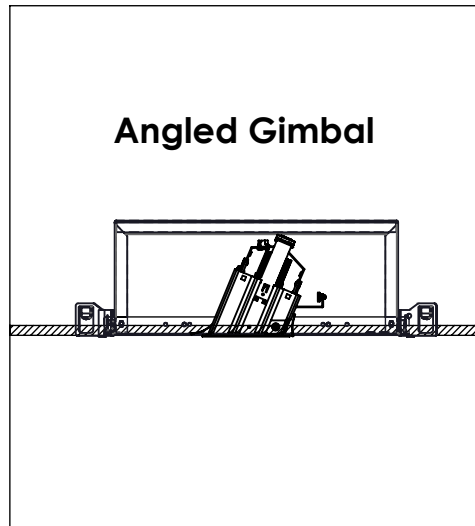
ITEMS NEEDED (SUPPLIED BY OTHERS):



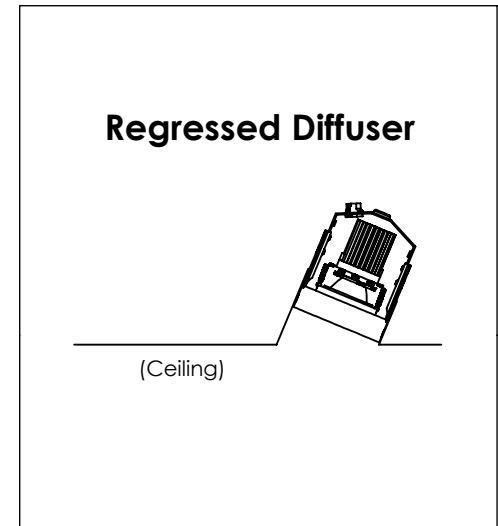
MOUNTING DIMENSIONS



MOUNTING OPTIONS



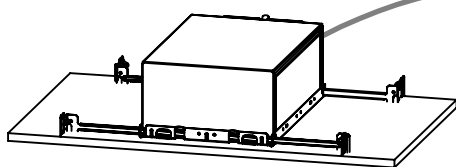
DIFFUSER POSITIONS



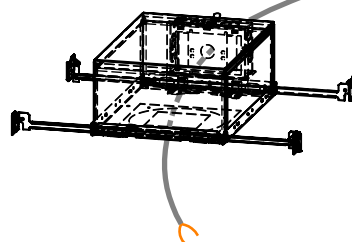
MOUNTING INSTALLATION STEPS

TURN OFF MAIN POWER BEFORE PROCEEDING!

Step 1: Complete up to and including step 5 of the Chicago Plenum Surface Mount Installation Steps. (Refer to Ceiling Thickness Key before installing)

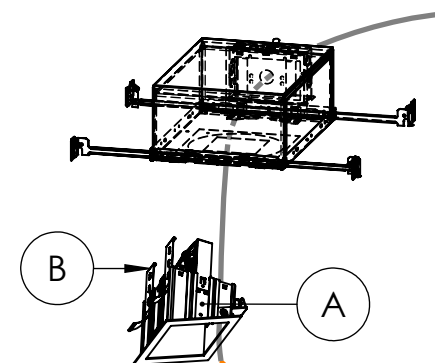


Step 2: Locate the DC Power wires. Then pull them through the hole in the Plenum Box and ceiling.



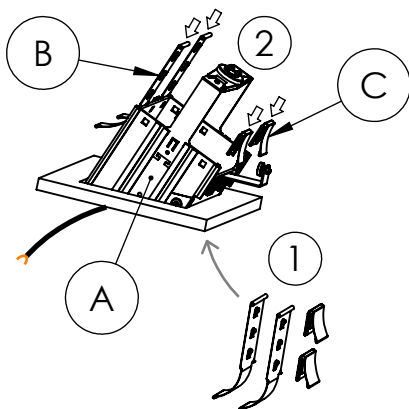
(Ceiling hidden for clarity)

Step 3: Pull DC Power wires through Housing (B). Push the Mounting Clips (B) into shown slots until you hear the first tab engage.



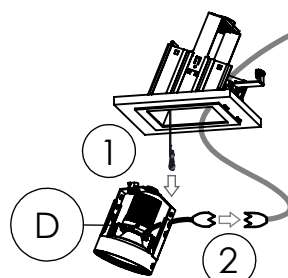
(Ceiling hidden for clarity)

Step 4: Position Housing (A) into hole and push it all the way in. Once Housing (A) is in position push the Mounting Clips (B) down until the Housing (A) is secure in the ceiling.



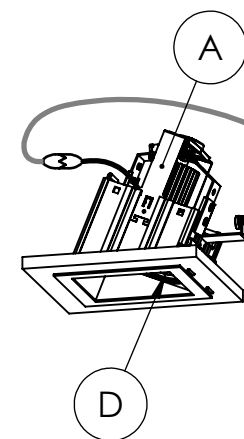
(CP/IC Housing hidden for clarity)

Step 5: Attach the safety cable to the Light Engine (C)(1). Then make the connection between the DC Power wires and Light Engine (C) using the supplied connectors (2).



(CP/IC Housing hidden for clarity)

Step 6: Push the Light Engine (C) up into the Housing (A) until it locks into the spring latch. Tilt light into desired position (max 30 degree tilt).



(CP/IC Housing hidden for clarity)

Ceiling Thickness Key

Material	Wood	Gypsum	Metal	Tile
Minimum	1/4"	1/2"	1/16"	1/2"
Maximum	1"	1"	11/16"	1"



WARNING:
INSTALL PRODUCT IN ACCORDANCE WITH LOCAL AND NATIONAL ELECTRICAL CODES; BY A QUALIFIED ELECTRICIAN.



WARNING:
FAILURE TO COMPLY WITH THE INSTALLATION INSTRUCTIONS MAY RESULT IN DEATH OR SERIOUS INJURY.



WARNING:
READ ALL SAFETY INSTRUCTIONS INCLUDED WITH LUMINAIRE BEFORE INSTALLING LUMINAIRE.

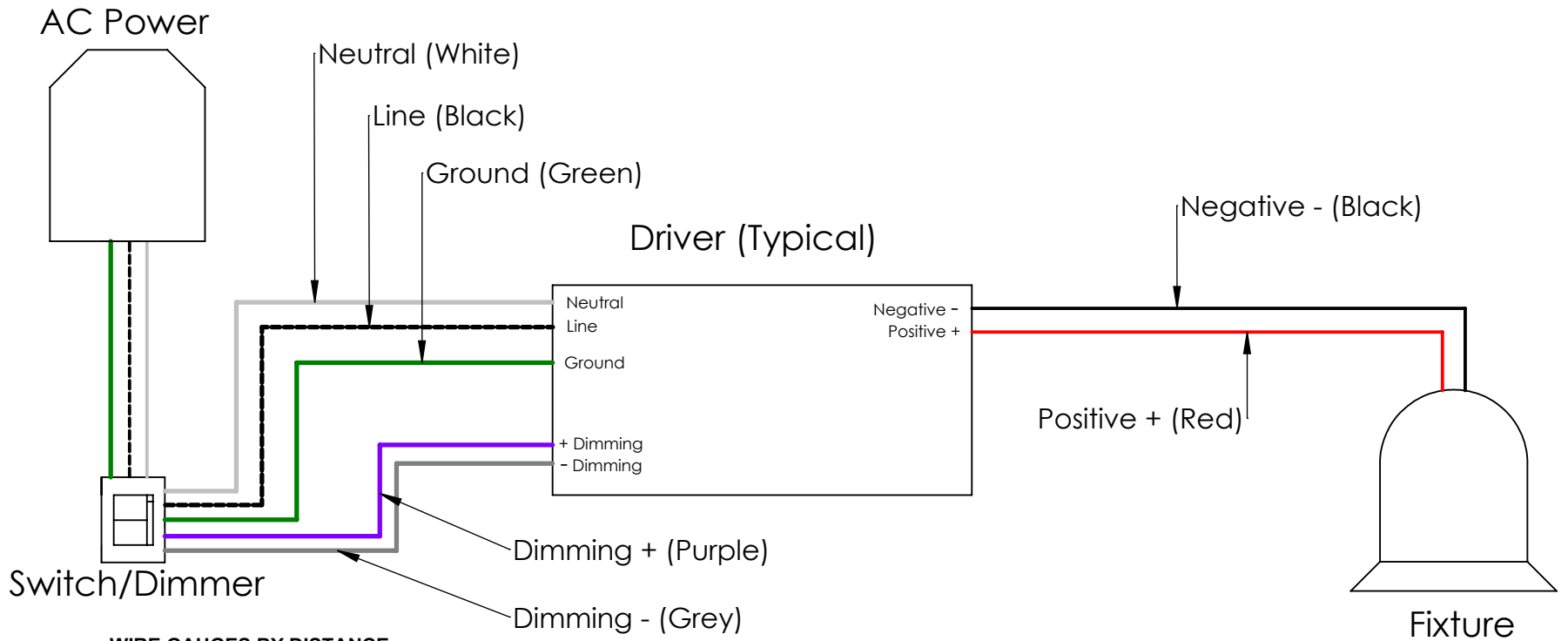
CAUTION:

THIS IS AN ELECTRONIC DEVICE. CARE MUST BE TAKEN DURING STORAGE AND HANDLING. STORE IN A CLEAN, COOL AND DRY LOCATION. ELECTROSTATIC DISCHARGE (ESD) CAN HARM THIS PRODUCT. AVOID STATIC DISCHARGE WHILE HANDLING THIS PRODUCT.

CAUTION:

INTER-LUX IS NOT RESPONSIBLE FOR THE STRUCTURAL INTEGRITY OF THE BUILDING TO SUPPORT THE LUMINAIRE. ADDITIONAL BACKING MAY BE REQUIRED.

Wiring Key



WIRE GAUGES BY DISTANCE

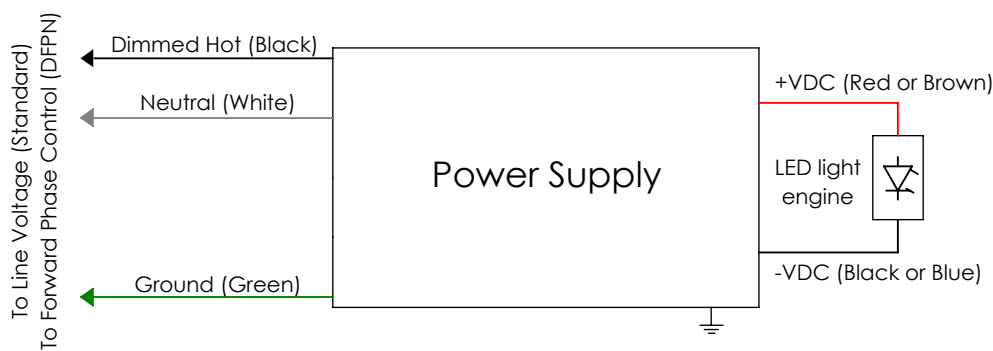
Wire Gauge	Maximum Lead Length		EldoLED
	Lutron		
	200 mA to 700 mA	710 mA to 1.50 A	
#18AWG	30'	15'	72'
#16AWG	35'	25'	118'
#14AWG	50'	40'	150'
#12AWG	100'	60'	200'

*Actual Voltage drop to be calculated by installer

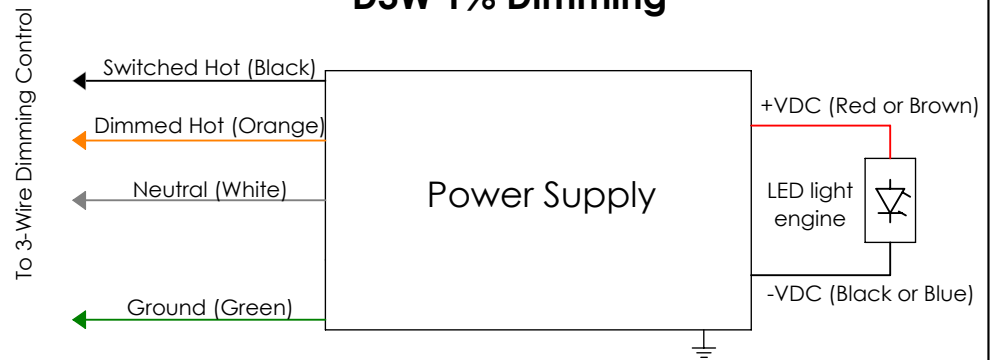
Red	Black	Green	Black	White	Purple	Grey
Positive	Negative	Ground	Line	Neutral	Dimming +	Dimming -

Driver Wiring Diagrams

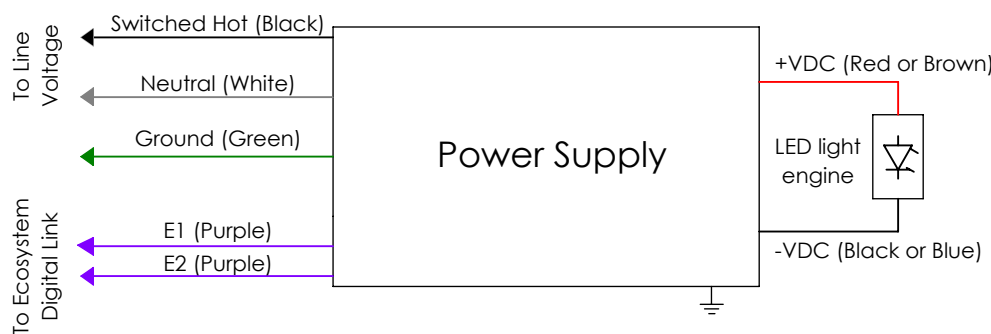
Standard Non-Dimming/DFPN Dimming



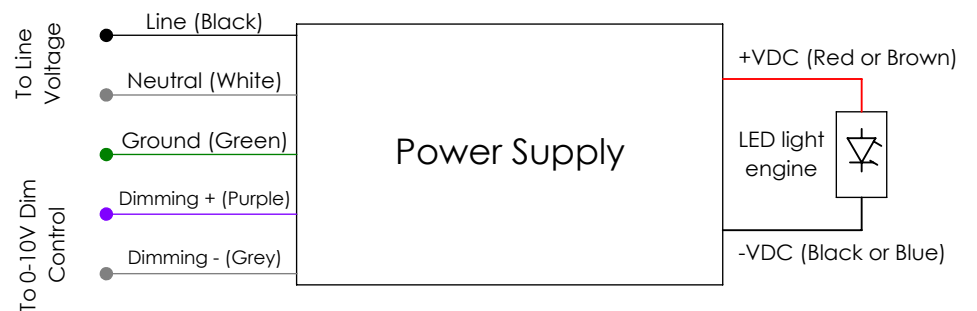
D3W 1% Dimming



DES 1% Dimming



0-10V Dimming



NOTE: SHOWN DRIVERS ARE INTER-LUX PROVIDED. FOR NON INTER-LUX PROVIDED DRIVERS PLEASE REFER TO DRIVER MANUFACTURER. THE USE OF NON INTER-LUX PROVIDED DRIVERS VOIDS PRODUCT WARRANTY.