



WARNING:

INSTALL PRODUCT IN ACCORDANCE WITH LOCAL AND NATIONAL ELECTRICAL CODES; BY A QUALIFIED ELECTRICIAN.



WARNING:

FAILURE TO COMPLY WITH THE INSTALLATION INSTRUCTIONS MAY RESULT IN DEATH OR SERIOUS INJURY.



WARNING:

READ ALL SAFETY INSTRUCTIONS INCLUDED WITH LUMINAIRE BEFORE INSTALLING LUMINAIRE.

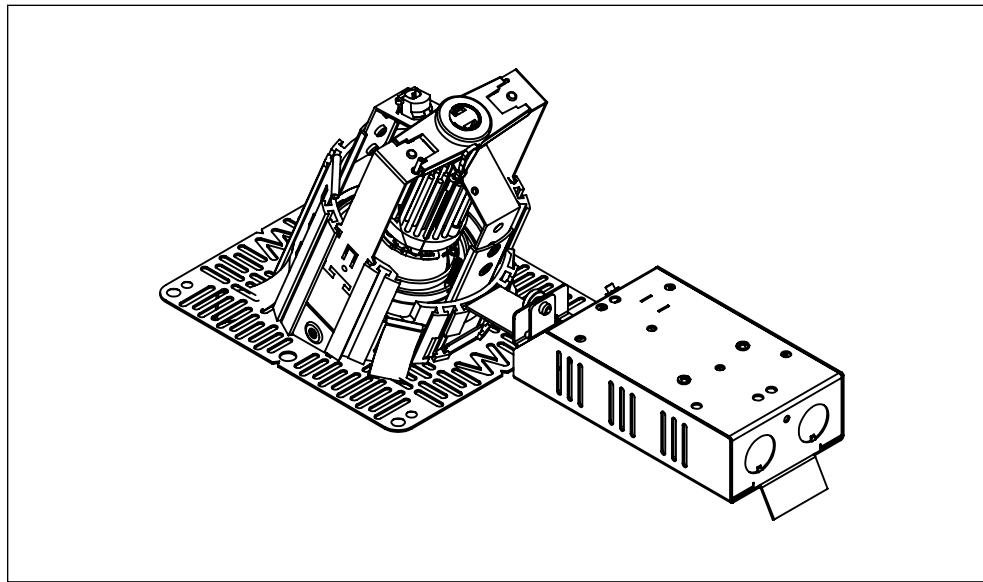
CAUTION:

THIS IS AN ELECTRONIC DEVICE. CARE MUST BE TAKEN DURING STORAGE AND HANDLING. STORE IN A CLEAN, COOL AND DRY LOCATION. ELECTROSTATIC DISCHARGE (ESD) CAN HARM THIS PRODUCT. AVOID STATIC DISCHARGE WHILE HANDLING THIS PRODUCT.

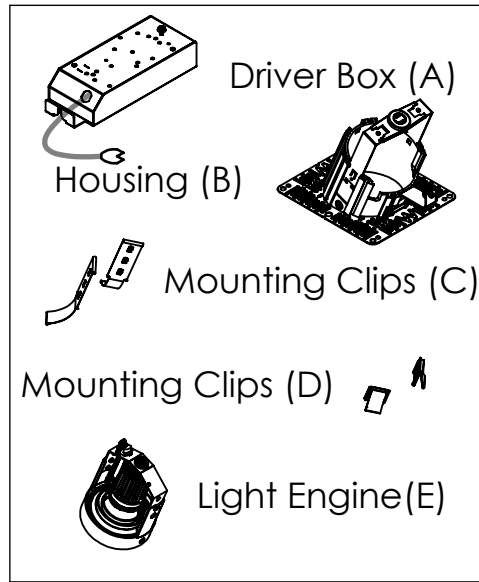
CAUTION:

INTER-LUX IS NOT RESPONSIBLE FOR THE STRUCTURAL INTEGRITY OF THE BUILDING TO SUPPORT THE LUMINAIRE. ADDITIONAL BACKING MAY BE REQUIRED.

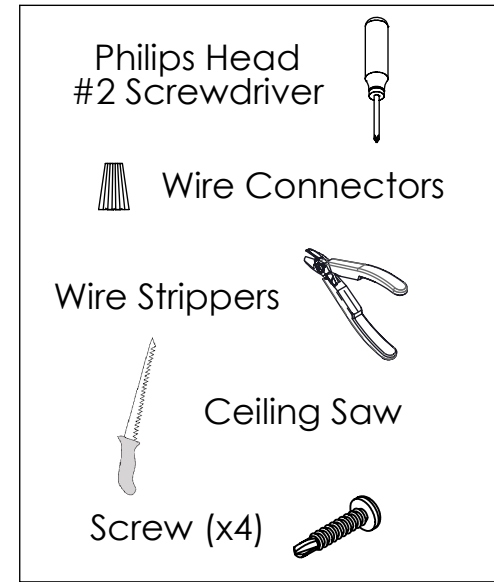
ISOMETRIC VIEWS



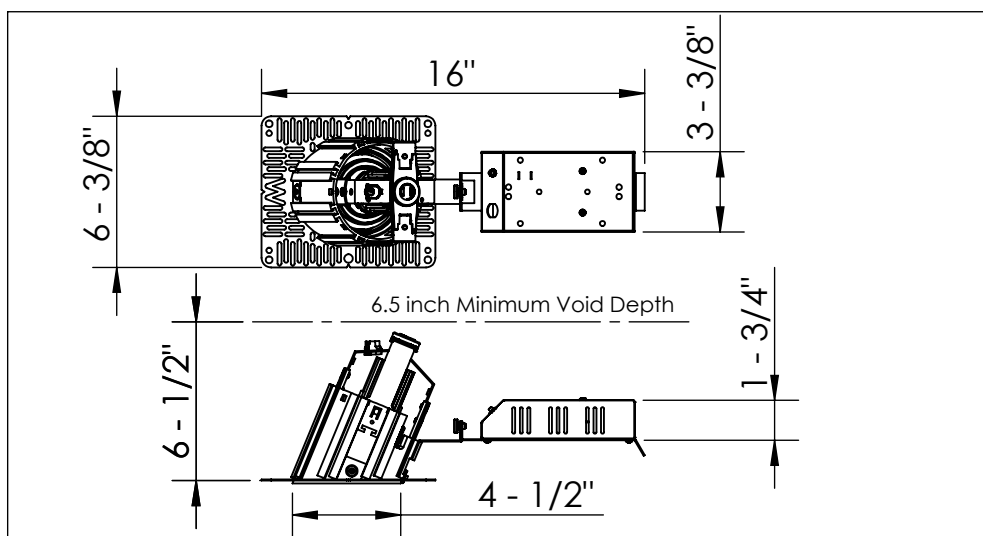
PACKAGE INCLUDES:



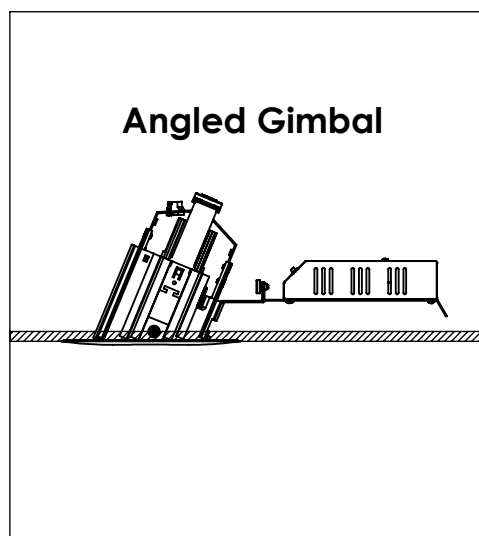
ITEMS NEEDED (SUPPLIED BY OTHERS):



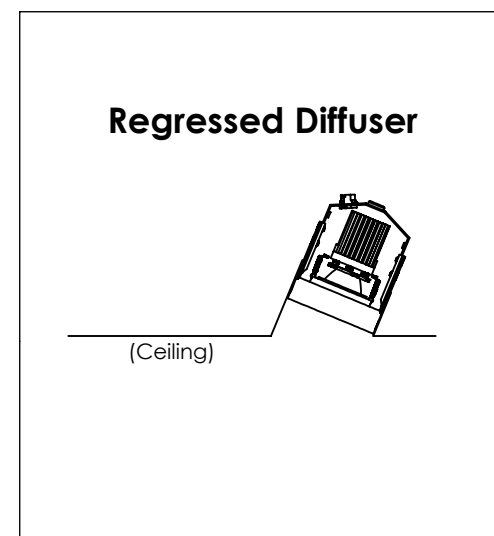
MOUNTING DIMENSIONS



MOUNTING OPTIONS



DIFFUSER POSITIONS

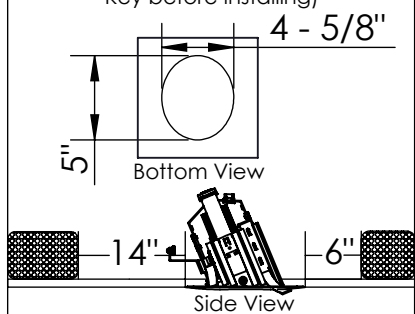


MOUNTING INSTALLATION STEPS

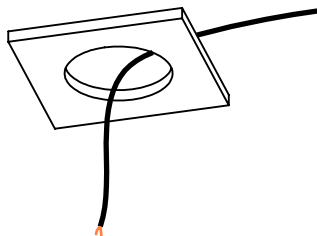


TURN OFF MAIN POWER BEFORE PROCEEDING!

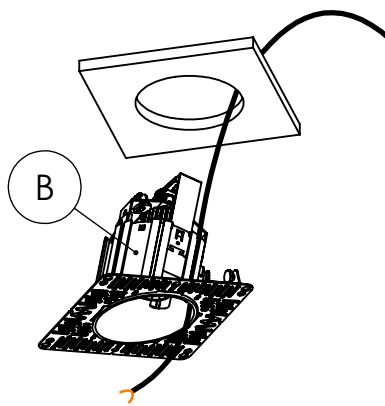
Step 1: Cut Hole in the Ceiling and clear insulation as shown. The 14" space is made to accommodate the Driver (A) and 6" of clearance. (Refer to Ceiling Thickness Key before installing)



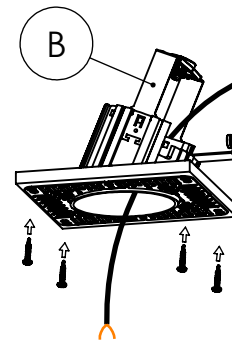
Step 2: Locate the AC Power, and Dimming Leads if necessary. Then pull them through the hole.



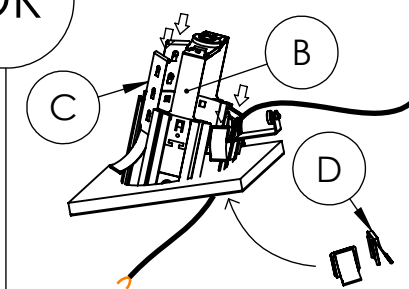
Step 3: Pull AC Power and Dimming Leads through Housing (B).



Step 4A: Position the Housing (B) into hole and push it all the way in. Screw down the Housing (B) into the ceiling using holes in the lattice.

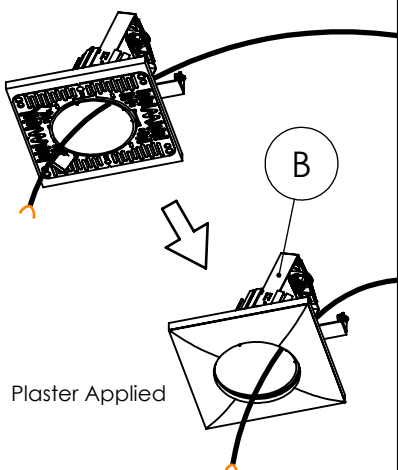


OR

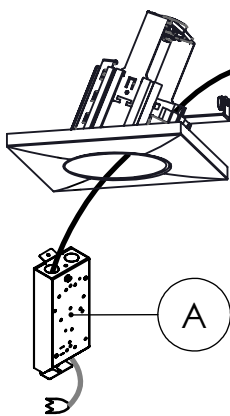


Step 4B: Before placement into the ceiling, push large Mounting Clips (C) into their slots up to the first tab. Then insert Housing (B) into the ceiling and bring Mounting Clips (D) up and into their respective slots as shown. Make sure that each clip is pushed until the housing is secure in the ceiling.

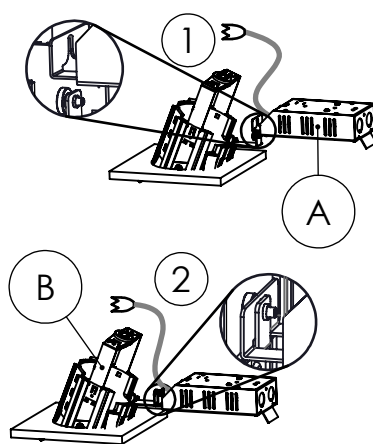
Step 5: Once Housing (B) is flush with the ceiling and screwed down, plaster over the lattice.



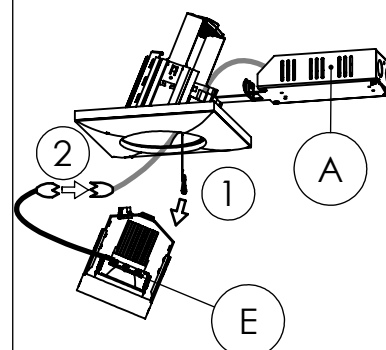
Step 6: Make the connection between the Driver (A) and AC Power/Dimming using the supplied connectors.



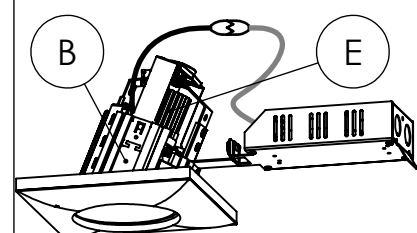
Step 7: Push the Driver (A) up through the Housing (B). Then attach it to the Housing (B), and tighten the thumb screw as (2).



Step 8: Attach the Safety Cable to the Light Engine (E)(1). Then make the connection between the Driver (A) and the Light Engine (E) using the supplied connectors (2).



Step 9: Push the Light Engine (E) up into the Housing (B) until it locks into the spring latch. Tilt light into desired position (max 30 degree tilt).



Ceiling Thickness Key

Material	Wood	Gypsum	Metal	Tile
Minimum	1/4"	1/2"	1/16"	1/2"
Maximum	1"	1"	11/16"	1"

WARNING:
INSTALL PRODUCT IN ACCORDANCE WITH LOCAL AND NATIONAL ELECTRICAL CODES; BY A QUALIFIED ELECTRICIAN.

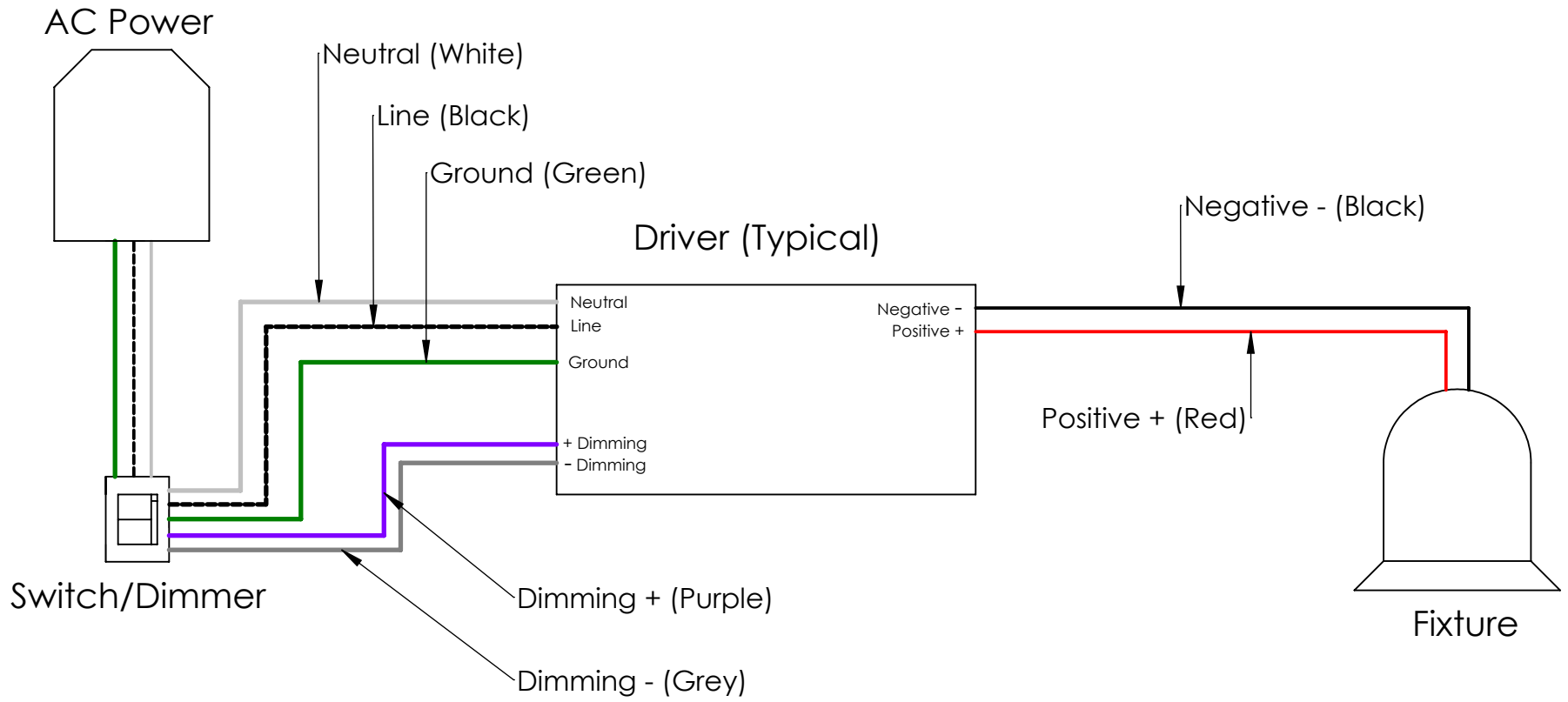
WARNING:
FAILURE TO COMPLY WITH THE INSTALLATION INSTRUCTIONS MAY RESULT IN DEATH OR SERIOUS INJURY.

WARNING:
READ ALL SAFETY INSTRUCTIONS INCLUDED WITH LUMINAIRE BEFORE INSTALLING LUMINAIRE.

CAUTION:
THIS IS AN ELECTRONIC DEVICE. CARE MUST BE TAKEN DURING STORAGE AND HANDLING. STORE IN A CLEAN, COOL AND DRY LOCATION. ELECTROSTATIC DISCHARGE (ESD) CAN HARM THIS PRODUCT. AVOID STATIC DISCHARGE WHILE HANDLING THIS PRODUCT.

CAUTION:
INTER-LUX IS NOT RESPONSIBLE FOR THE STRUCTURAL INTEGRITY OF THE BUILDING TO SUPPORT THE LUMINAIRE. ADDITIONAL BACKING MAY BE REQUIRED.

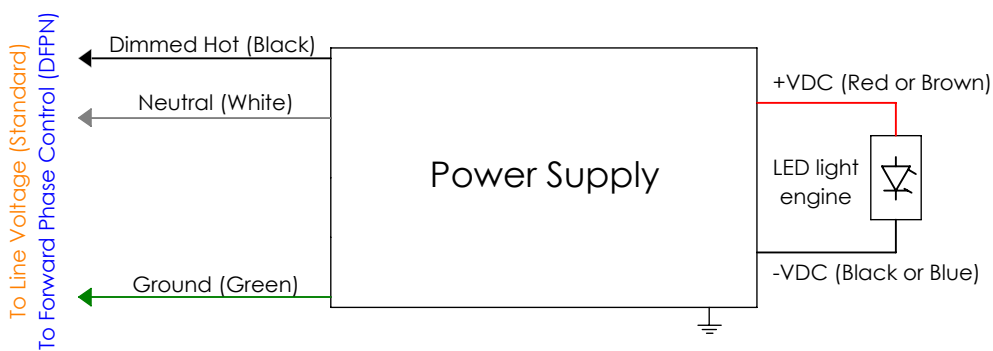
Wiring Key



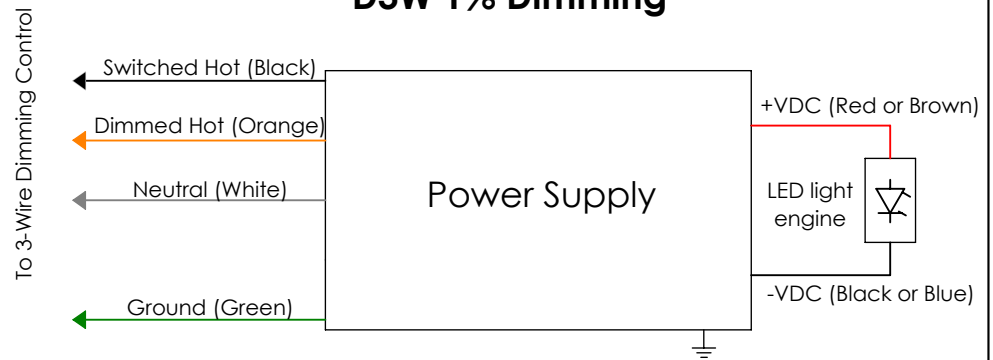
Red	Black	Green	Black	White	Purple	Grey
Positive	Negative	Ground	Line	Neutral	Dimming +	Dimming -

Driver Wiring Diagrams

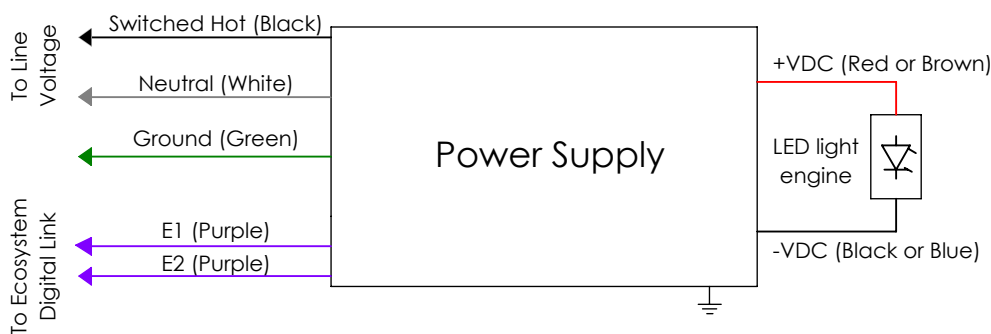
Standard Non-Dimming/DFPN Dimming



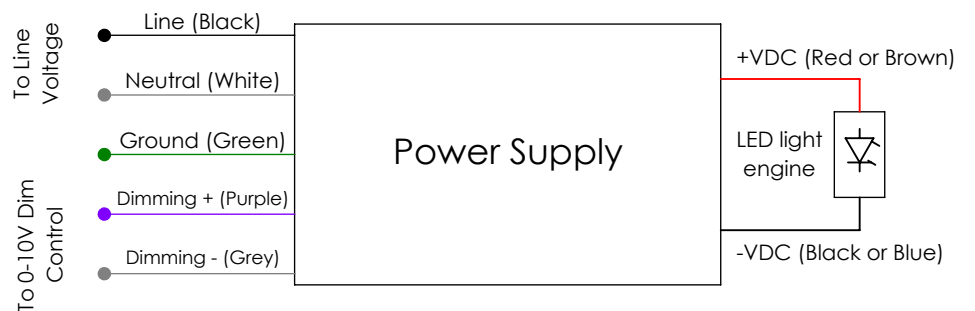
D3W 1% Dimming



DES 1% Dimming



0-10V Dimming



ALL DRIVERS ARE INTER-LUX PROVIDED. FOR NON INTER-LUX DRIVERS PLEASE REFER TO DRIVER MANUFACTURER. THE USE OF NON INTER-LUX DRIVERS VOIDS PRODUCT WARRANTY.