

**WARNING:**  
INSTALL PRODUCT IN ACCORDANCE WITH LOCAL AND NATIONAL ELECTRICAL CODES; BY A QUALIFIED ELECTRICIAN.

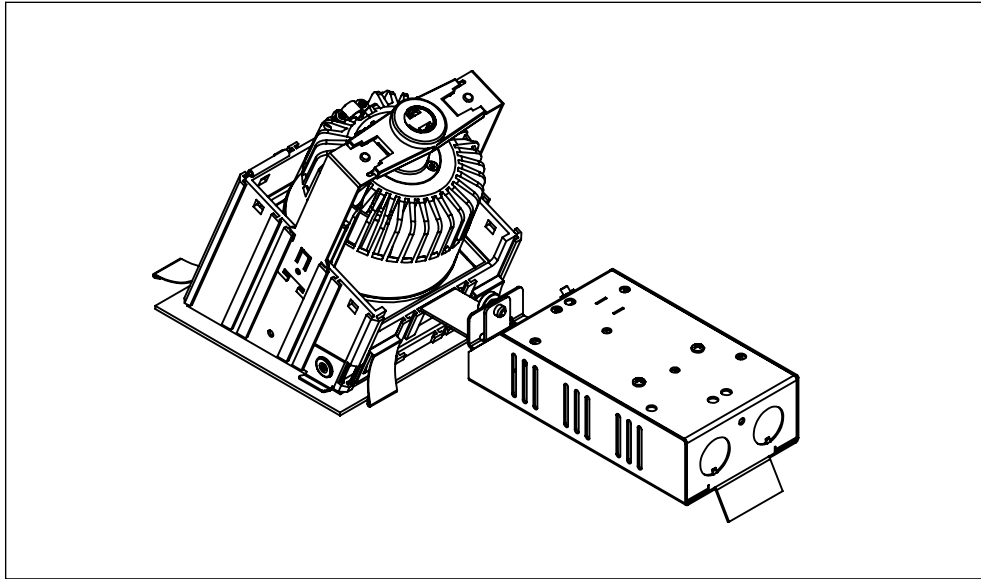
**WARNING:**  
FAILURE TO COMPLY WITH THE INSTALLATION INSTRUCTIONS MAY RESULT IN DEATH OR SERIOUS INJURY.

**WARNING:**  
READ ALL SAFETY INSTRUCTIONS INCLUDED WITH LUMINAIRE BEFORE INSTALLING LUMINAIRE. KEEP THESE INSTRUCTIONS FOR FUTURE REFERENCE

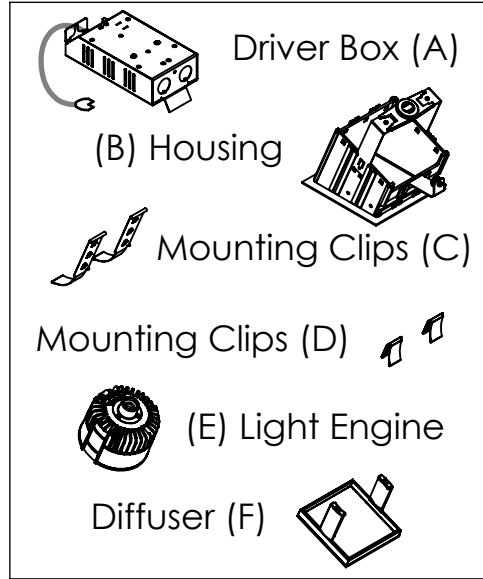
**CAUTION:**  
THIS IS AN ELECTRONIC DEVICE. CARE MUST BE TAKEN DURING STORAGE AND HANDLING. STORE IN A CLEAN, COOL AND DRY LOCATION. ELECTROSTATIC DISCHARGE (ESD) CAN HARM THIS PRODUCT. AVOID STATIC DISCHARGE WHILE HANDLING THIS PRODUCT.

**CAUTION:**  
INTER-LUX IS NOT RESPONSIBLE FOR THE STRUCTURAL INTEGRITY OF THE BUILDING TO SUPPORT THE LUMINAIRE. ADDITIONAL BACKING MAY BE REQUIRED.

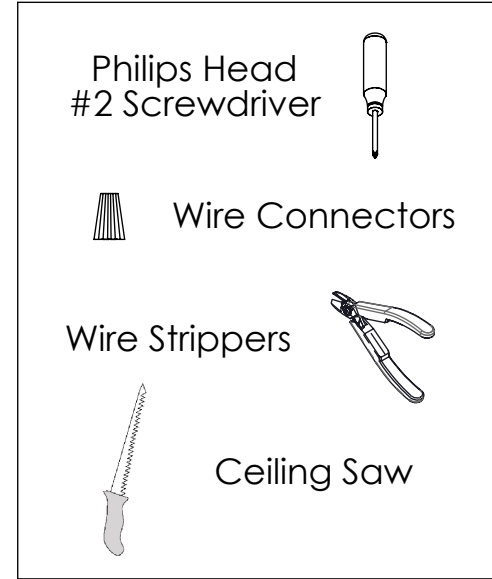
**ISOMETRIC VIEWS**



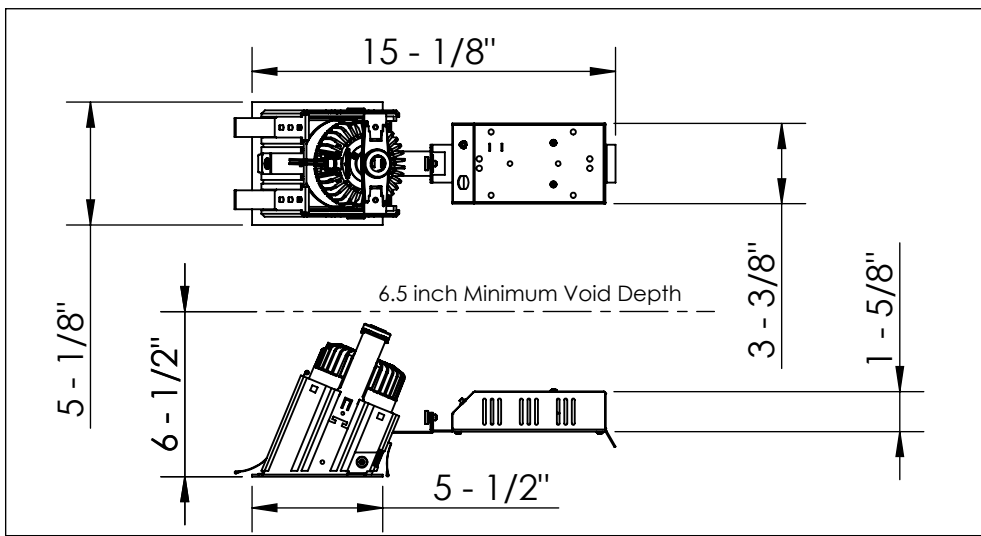
**PACKAGE INCLUDES:**



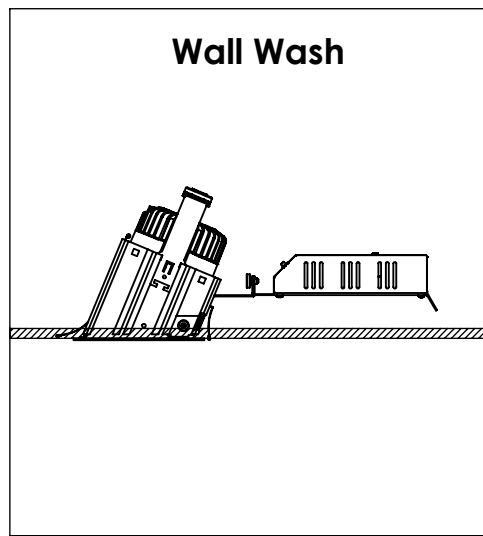
**ITEMS NEEDED (SUPPLIED BY OTHERS):**



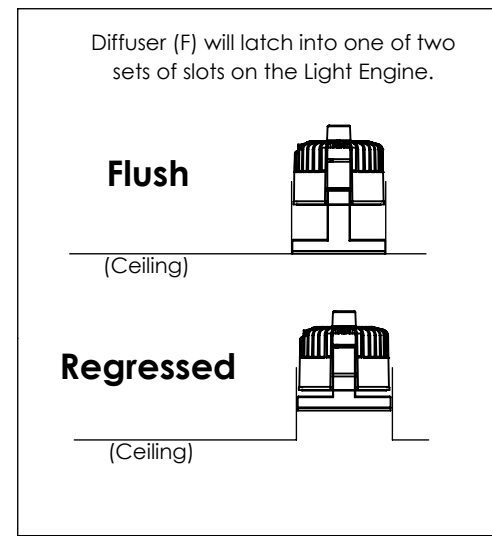
**MOUNTING DIMENSIONS**



**MOUNTING OPTIONS**



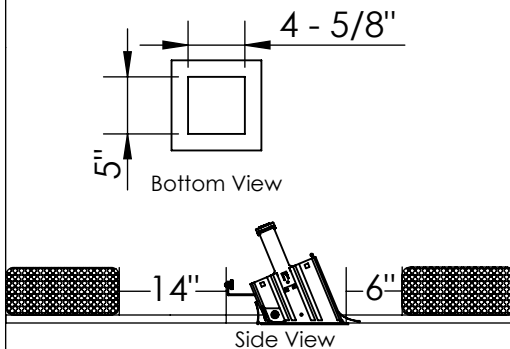
**DIFFUSER POSITIONS**



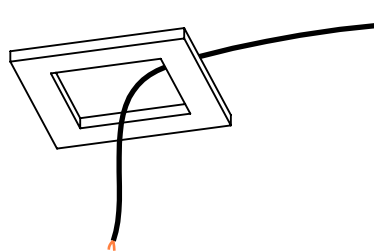
**MOUNTING INSTALLATION STEPS**

**TURN OFF MAIN POWER BEFORE PROCEEDING!**

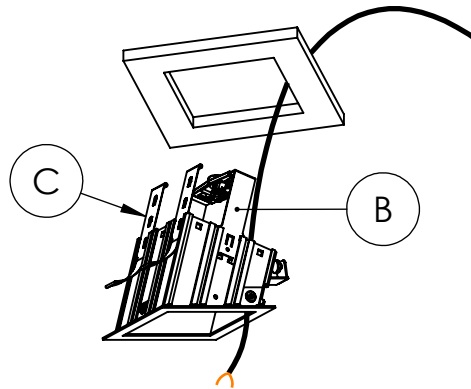
**Step 1:** Cut Hole in the Ceiling and clear insulation as shown. The 14" space is made to accommodate the Driver (A) and 6" of clearance. (Refer to Ceiling Thickness Key before installing)



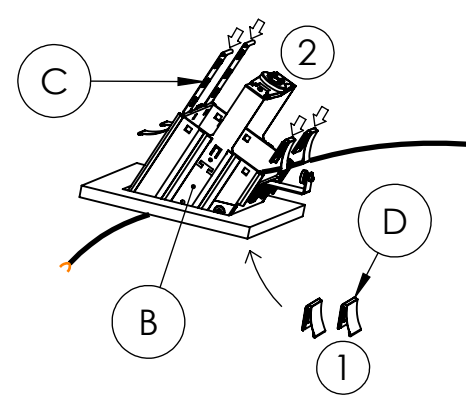
**Step 2:** Locate the AC Power, and Dimming Leads if required. Then pull them through the hole you cut.



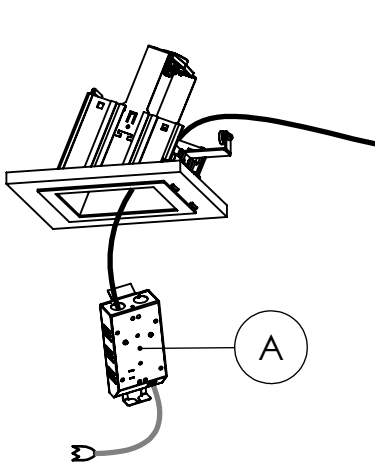
**Step 3:** Pull AC Power and Dimming Leads through Housing (B). Push Mounting Clips (C) into shown slots until first tabs engage. Then position Housing (B) into hole and push it all the way in.



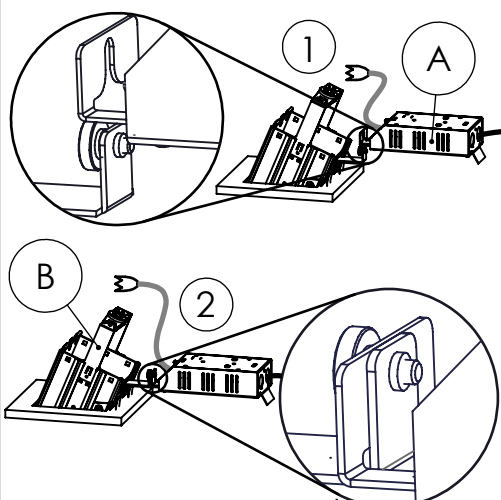
**Step 4:** Bring Mounting Clips (D) up through the Housing (B) (1) and push all clips into their respective slots as shown. Make sure that each Clip (C) is pushed down until the Housing (B) is secure in the ceiling (2).



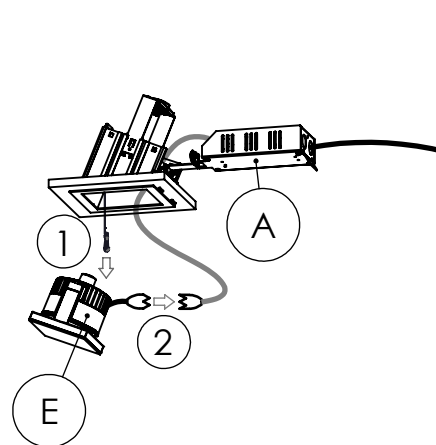
**Step 5:** Make the connection between the Driver (A) and AC Power/Dimming using the supplied connectors.



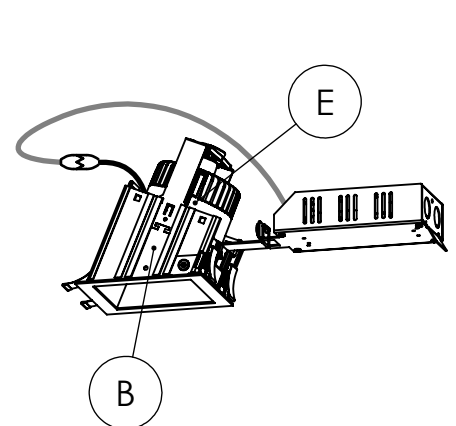
**Step 6:** Push the Driver (A) up through the Housing (B). Then attach it to the Housing (B), and tighten the thumb screw (2).



**Step 7:** Attach the safety cable to the Light Engine (E) (1). Then make the connection between the Driver (A) and Light Engine (E) (2) using the supplied connectors.



**Step 8:** Push the Light Engine (E) up into the Housing (B) until it locks into the spring latch as shown.



**Ceiling Thickness Key**

| Material | Wood | Gypsum | Metal  | Tile |
|----------|------|--------|--------|------|
| Minimum  | 1/4" | 1/2"   | 1/16"  | 1/2" |
| Maximum  | 1"   | 1"     | 11/16" | 1"   |



**WARNING:**  
INSTALL PRODUCT IN ACCORDANCE WITH LOCAL AND NATIONAL ELECTRICAL CODES; BY A QUALIFIED ELECTRICIAN.



**WARNING:**  
FAILURE TO COMPLY WITH THE INSTALLATION INSTRUCTIONS MAY RESULT IN DEATH OR SERIOUS INJURY.



**WARNING:**  
READ ALL SAFETY INSTRUCTIONS INCLUDED WITH LUMINAIRE BEFORE INSTALLING LUMINAIRE.

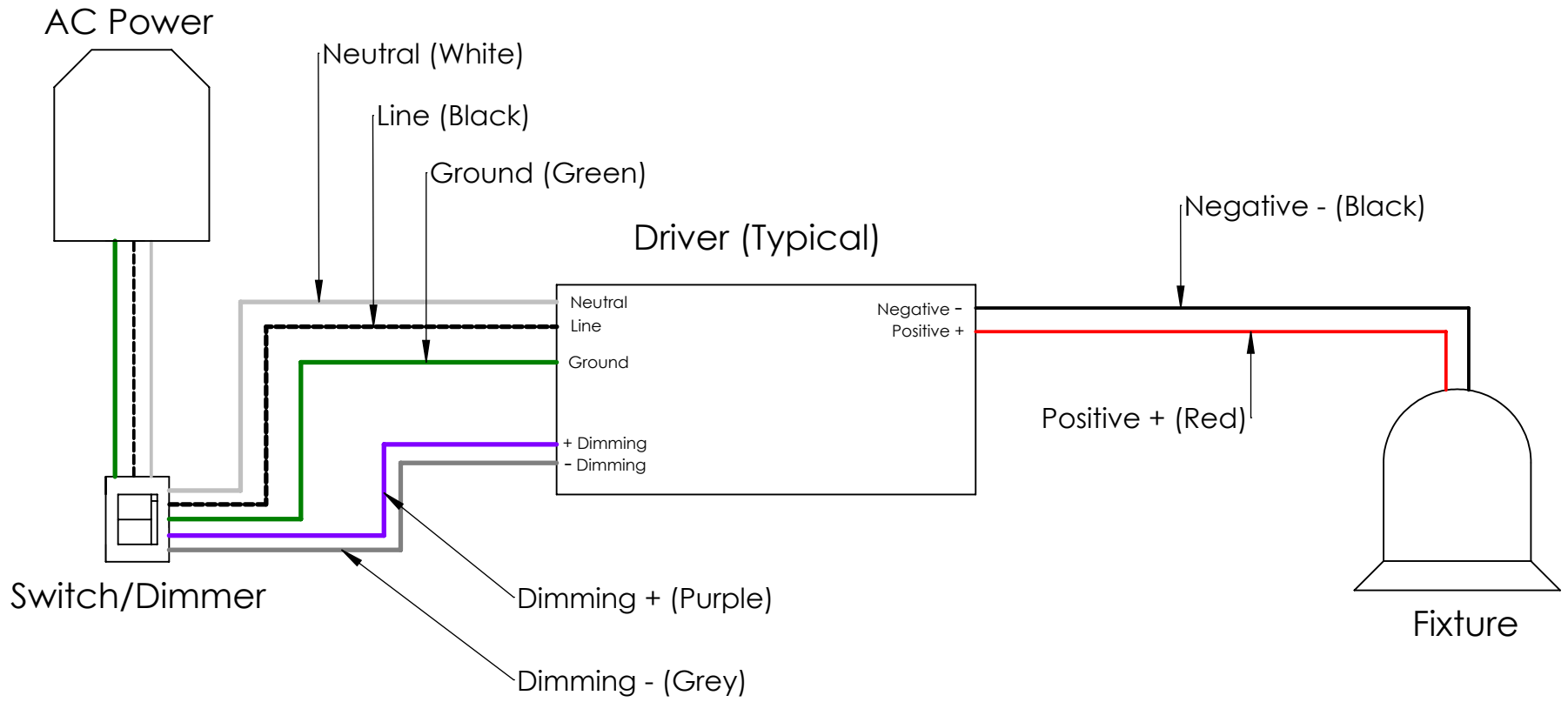
**CAUTION:**

THIS IS AN ELECTRONIC DEVICE. CARE MUST BE TAKEN DURING STORAGE AND HANDLING. STORE IN A CLEAN, COOL AND DRY LOCATION. ELECTROSTATIC DISCHARGE (ESD) CAN HARM THIS PRODUCT. AVOID STATIC DISCHARGE WHILE HANDLING THIS PRODUCT.

**CAUTION:**

INTER-LUX IS NOT RESPONSIBLE FOR THE STRUCTURAL INTEGRITY OF THE BUILDING TO SUPPORT THE LUMINAIRE. ADDITIONAL BACKING MAY BE REQUIRED.

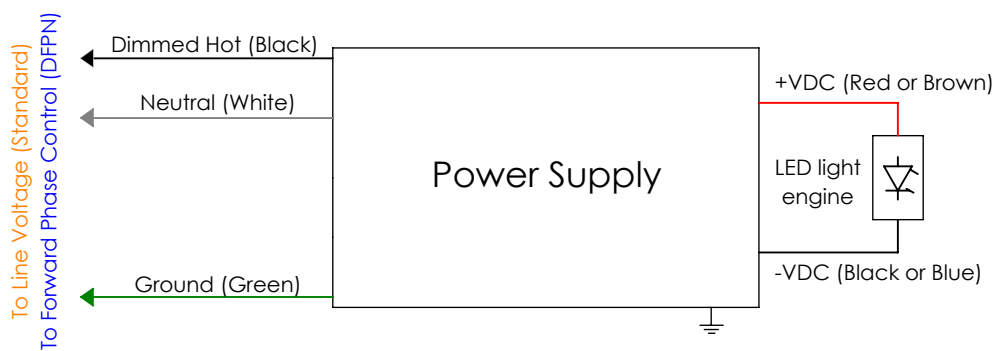
**Wiring Key**



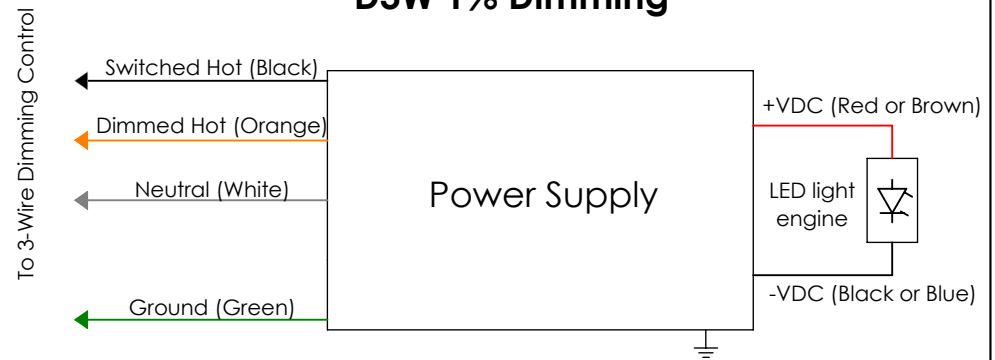
|          |          |        |       |         |           |           |
|----------|----------|--------|-------|---------|-----------|-----------|
| Red      | Black    | Green  | Black | White   | Purple    | Grey      |
|          |          |        |       |         |           |           |
| Positive | Negative | Ground | Line  | Neutral | Dimming + | Dimming - |

**Driver Wiring Diagrams**

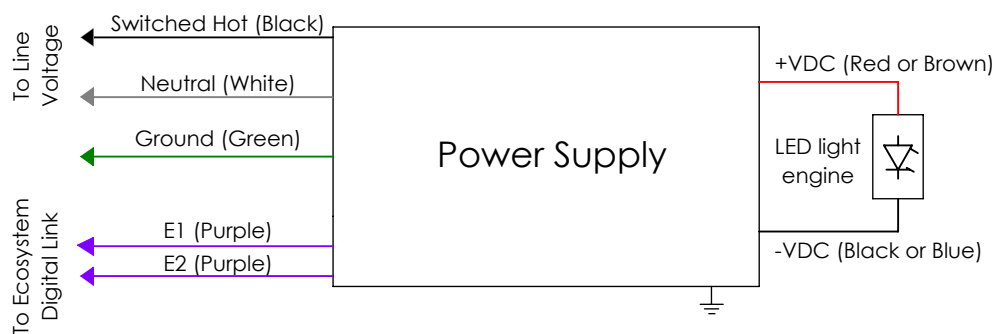
**Standard Non-Dimming/DFPN Dimming**



**D3W 1% Dimming**



**DES 1% Dimming**



**0-10V Dimming**



**THESE DRIVERS ARE INTER-LUX PROVIDED. FOR NON INTER-LUX DRIVERS PLEASE REFER TO DRIVER MANUFACTURER. THE USE OF NON INTER-LUX PROVIDED DRIVERS VOIDS PRODUCT WARRANTY.**