

WARNING:
INSTALL PRODUCT IN ACCORDANCE WITH LOCAL AND NATIONAL ELECTRICAL CODES; BY A QUALIFIED ELECTRICIAN.

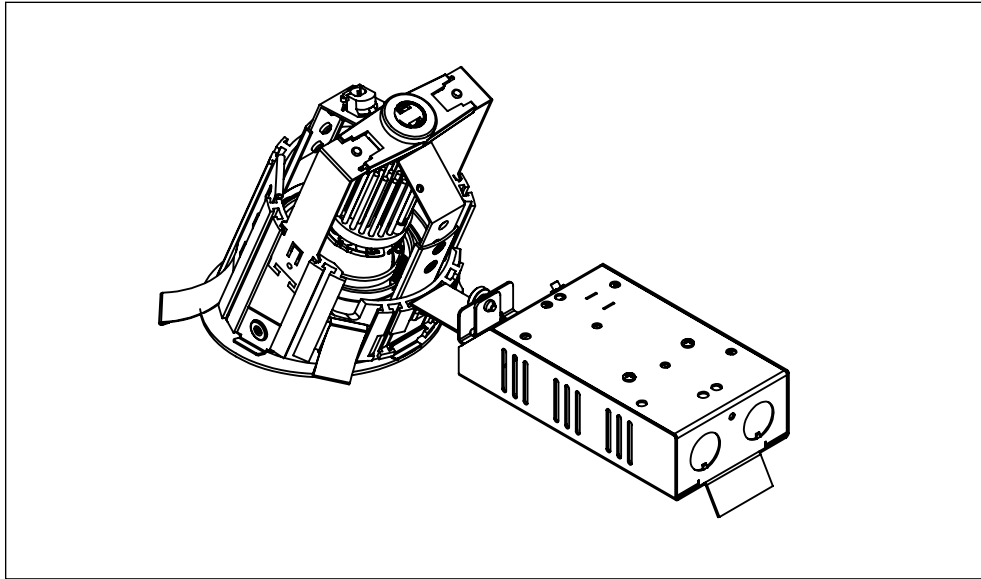
WARNING:
FAILURE TO COMPLY WITH THE INSTALLATION INSTRUCTIONS MAY RESULT IN DEATH OR SERIOUS INJURY.

WARNING:
READ ALL SAFETY INSTRUCTIONS INCLUDED WITH LUMINAIRE BEFORE INSTALLING LUMINAIRE. KEEP THESE INSTRUCTIONS FOR FUTURE REFERENCE.

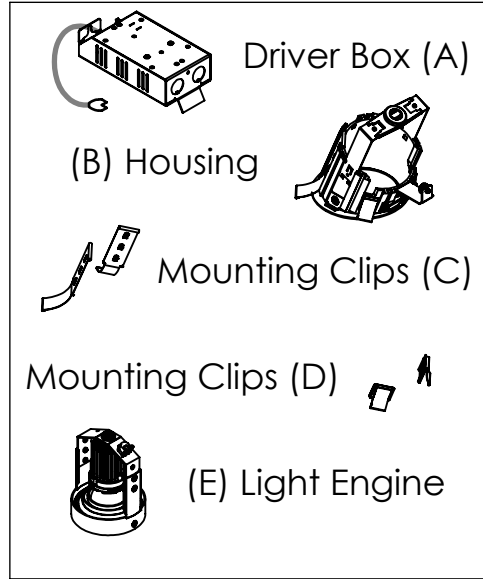
CAUTION:
THIS IS AN ELECTRONIC DEVICE. CARE MUST BE TAKEN DURING STORAGE AND HANDLING. STORE IN A CLEAN, COOL AND DRY LOCATION. ELECTROSTATIC DISCHARGE (ESD) CAN HARM THIS PRODUCT. AVOID STATIC DISCHARGE WHILE HANDLING THIS PRODUCT.

CAUTION:
INTER-LUX IS NOT RESPONSIBLE FOR THE STRUCTURAL INTEGRITY OF THE BUILDING TO SUPPORT THE LUMINAIRE. ADDITIONAL BACKING MAY BE REQUIRED.

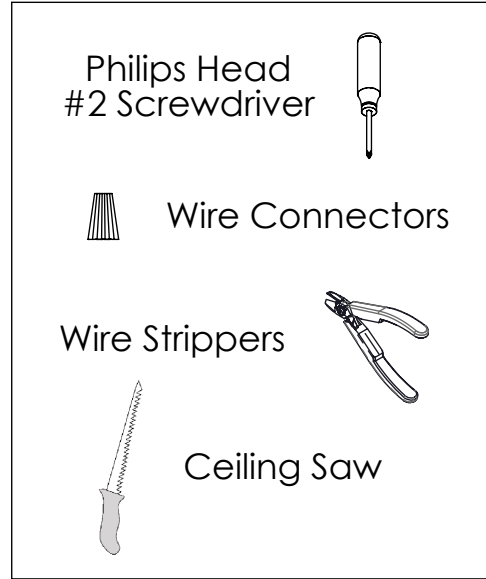
ISOMETRIC VIEWS



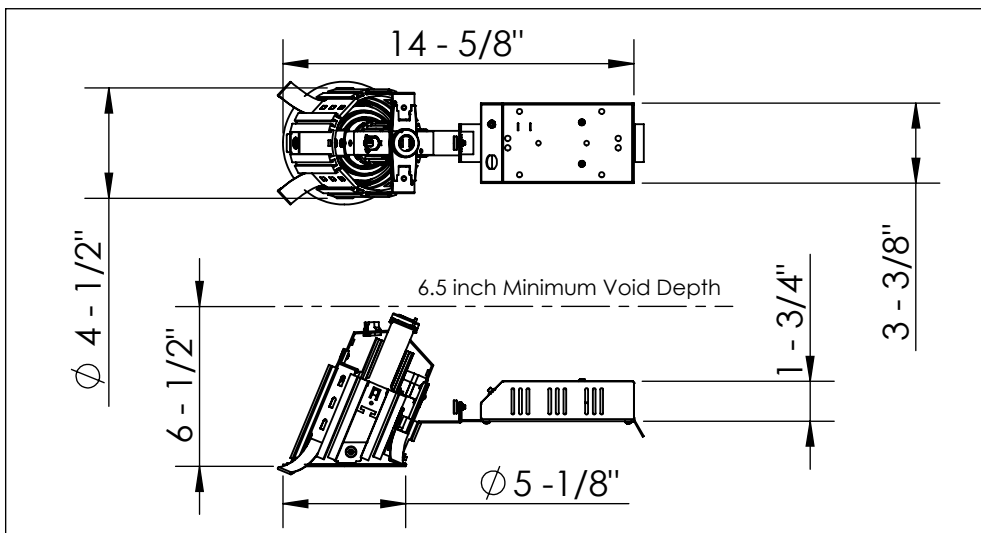
PACKAGE INCLUDES:



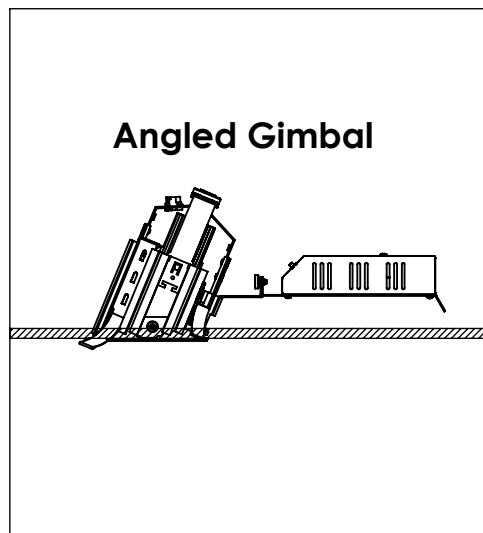
ITEMS NEEDED (SUPPLIED BY OTHERS):



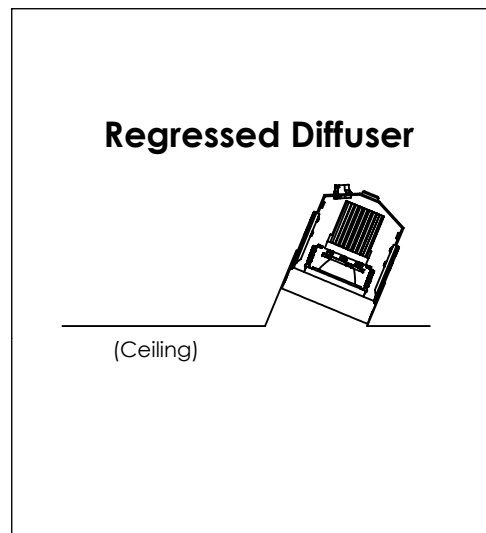
MOUNTING DIMENSIONS



MOUNTING OPTIONS



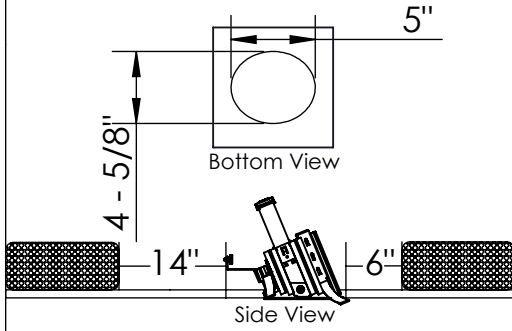
DIFFUSER POSITIONS



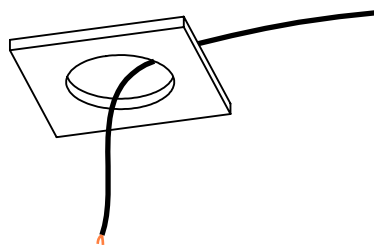
MOUNTING INSTALLATION STEPS

TURN OFF MAIN POWER BEFORE PROCEEDING!

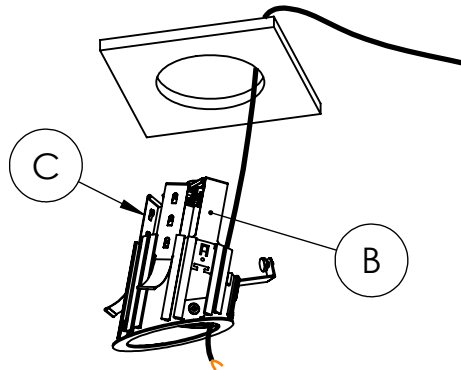
Step 1: Cut Hole in the Ceiling and clear insulation as shown. The 14" space is made to accommodate the Driver (A) and 6" of clearance. (Refer to Ceiling Thickness Key before installing)



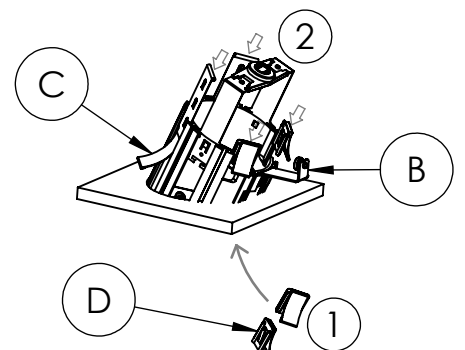
Step 2: Locate the AC Power, and Dimming Leads if required. Then pull them through the hole you cut.



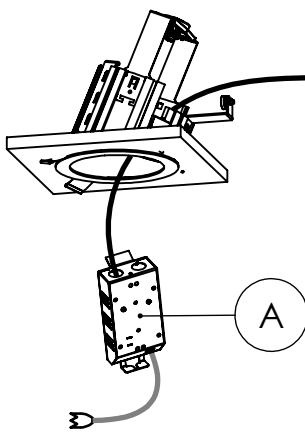
Step 3: Pull AC Power and Dimming Leads through Housing (B). Push the two larger Mounting Clips (C) into shown slots until you hear the first tab engage. Then position the Housing (B) into the ceiling hole and push it in all the way.



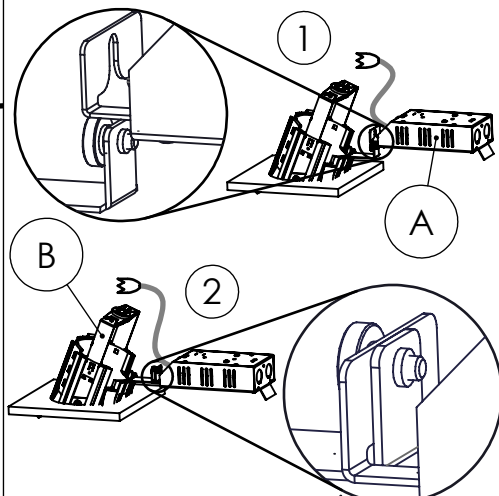
Step 4: Bring Mounting Clips (D) up through the the Housing (B)(1) and push them into their respective slots as shown (2). Make sure that the Mounting Clips (C) are pushed down until the Housing (B) is secure in the ceiling.



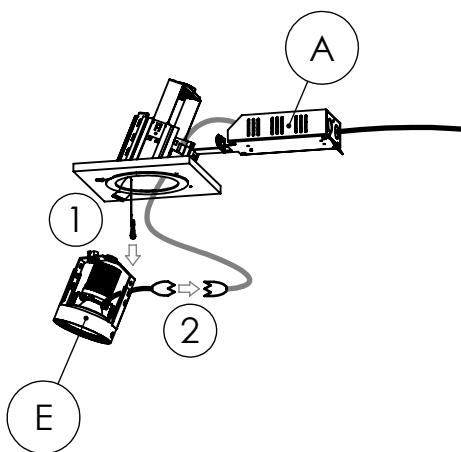
Step 5: Make the connection between the Driver (A) and AC Power/Dimming using the supplied connectors.



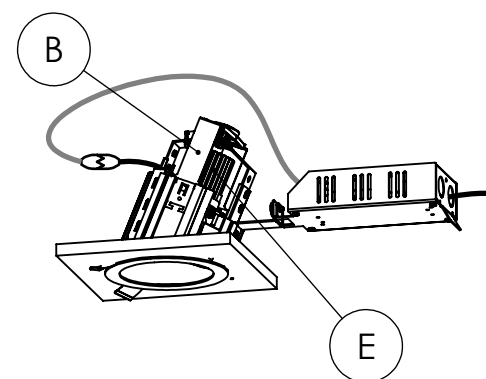
Step 6: Push the Driver (A) up through the Housing (B). Then attach it of the Housing (B), and tighten the thumb screw (2).



Step 7: Attach the safety cable to the Light Engine (E)(1). Then make the connection between the Driver (A) and Light Engine (E)(2) using the supplied connectors.



Step 8: Push the Light Engine (E) up into the Housing (B) until it locks into the spring latch as shown. Tilt light into desired position (max 30 degree tilt).



Ceiling Thickness Key

Material	Wood	Gypsum	Metal	Tile
Minimum	1/4"	1/2"	1/16"	1/2"
Maximum	1"	1"	11/16"	1"



WARNING:
INSTALL PRODUCT IN ACCORDANCE WITH LOCAL AND NATIONAL ELECTRICAL CODES; BY A QUALIFIED ELECTRICIAN.



WARNING:
FAILURE TO COMPLY WITH THE INSTALLATION INSTRUCTIONS MAY RESULT IN DEATH OR SERIOUS INJURY.



WARNING:
READ ALL SAFETY INSTRUCTIONS INCLUDED WITH LUMINAIRE BEFORE INSTALLING LUMINAIRE.

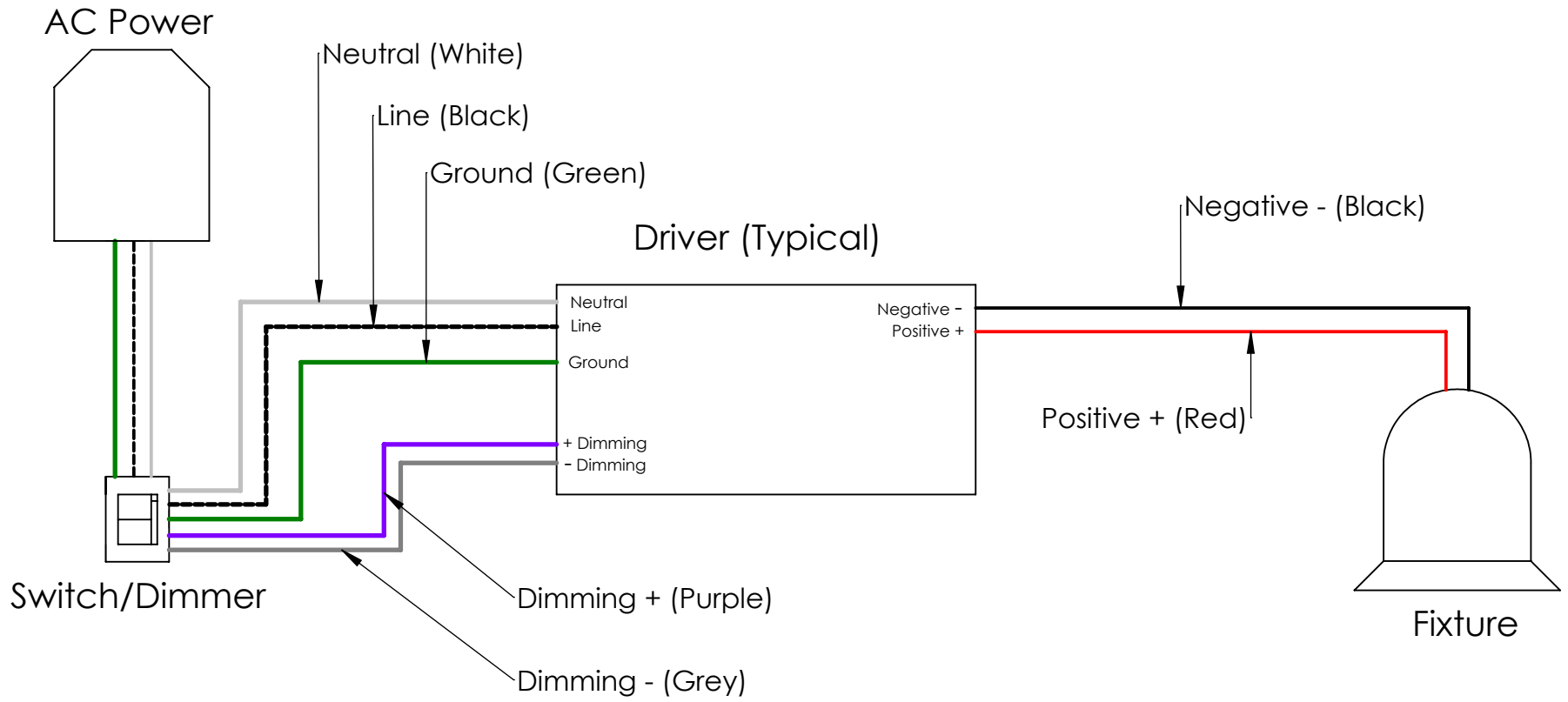
CAUTION:

THIS IS AN ELECTRONIC DEVICE. CARE MUST BE TAKEN DURING STORAGE AND HANDLING. STORE IN A CLEAN, COOL AND DRY LOCATION. ELECTROSTATIC DISCHARGE (ESD) CAN HARM THIS PRODUCT. AVOID STATIC DISCHARGE WHILE HANDLING THIS PRODUCT.

CAUTION:

INTER-LUX IS NOT RESPONSIBLE FOR THE STRUCTURAL INTEGRITY OF THE BUILDING TO SUPPORT THE LUMINAIRE. ADDITIONAL BACKING MAY BE REQUIRED.

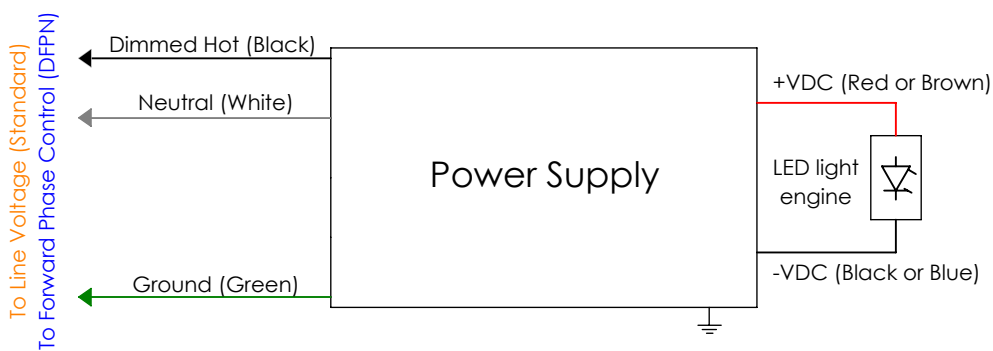
Wiring Key



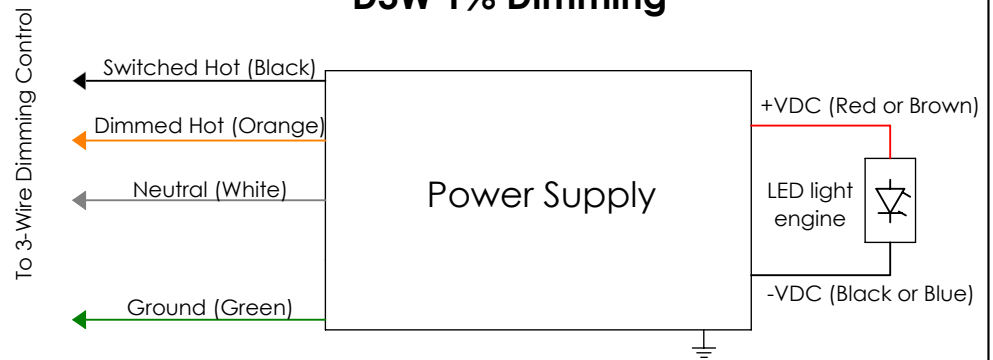
Red	Black	Green	Black	White	Purple	Grey
Positive	Negative	Ground	Line	Neutral	Dimming +	Dimming -

Driver Wiring Diagrams

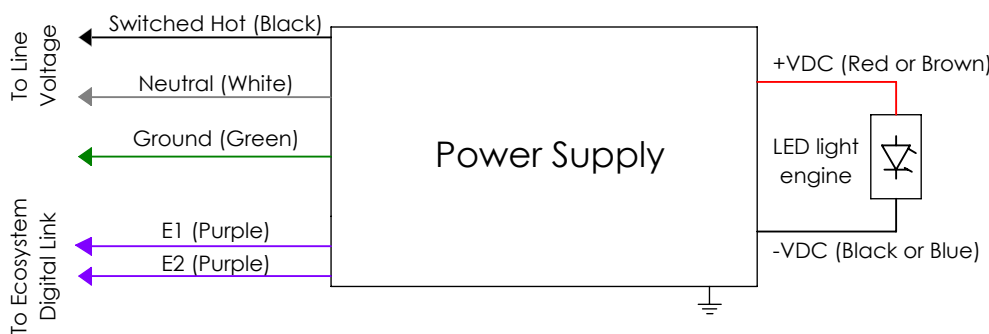
Standard Non-Dimming/DFPN Dimming



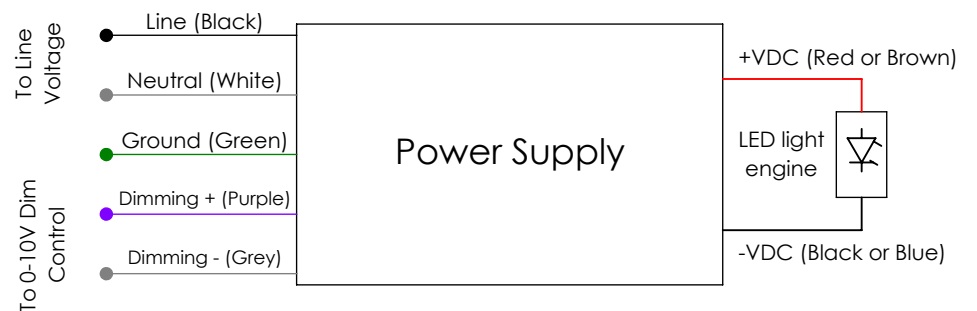
D3W 1% Dimming



DES 1% Dimming



0-10V Dimming



THESE DRIVERS ARE INTER-LUX PROVIDED. FOR NON INTER-LUX DRIVERS PLEASE REFER TO DRIVER MANUFACTURER. THE USE OF NON INTER-LUX PROVIDED DRIVERS VOIDS PRODUCT WARRANTY.