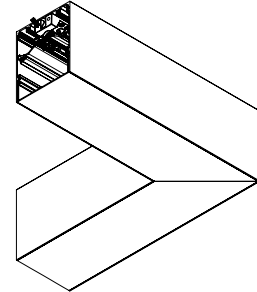
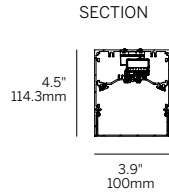
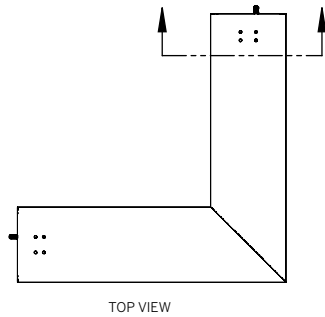


## PATTERN CORNER (P)

WG-100LDL-SM-P

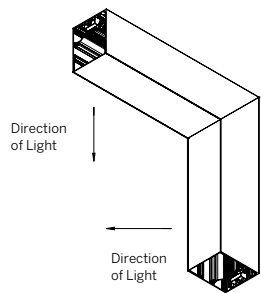
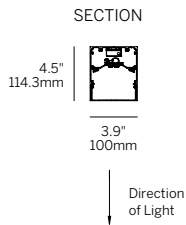
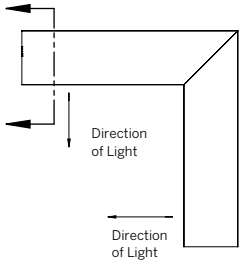


Mitered + Welded Housing  
Mitered + Butted Lens

Minimum Angle 45°  
Maximum Angle 180°

## PLANE TO PLANE INSIDE CORNER (PPI)

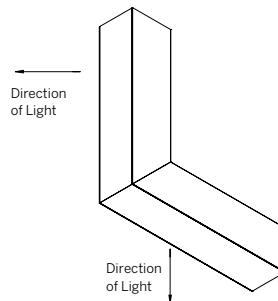
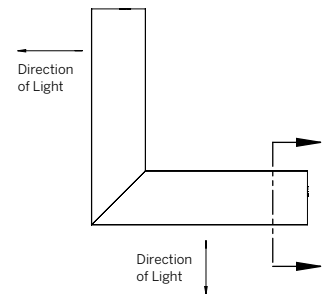
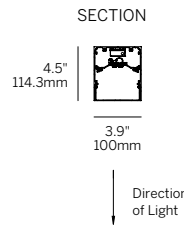
WG-100LDL-SM-PPI



Mitered + Welded Housing  
Mitered + Butted Lens

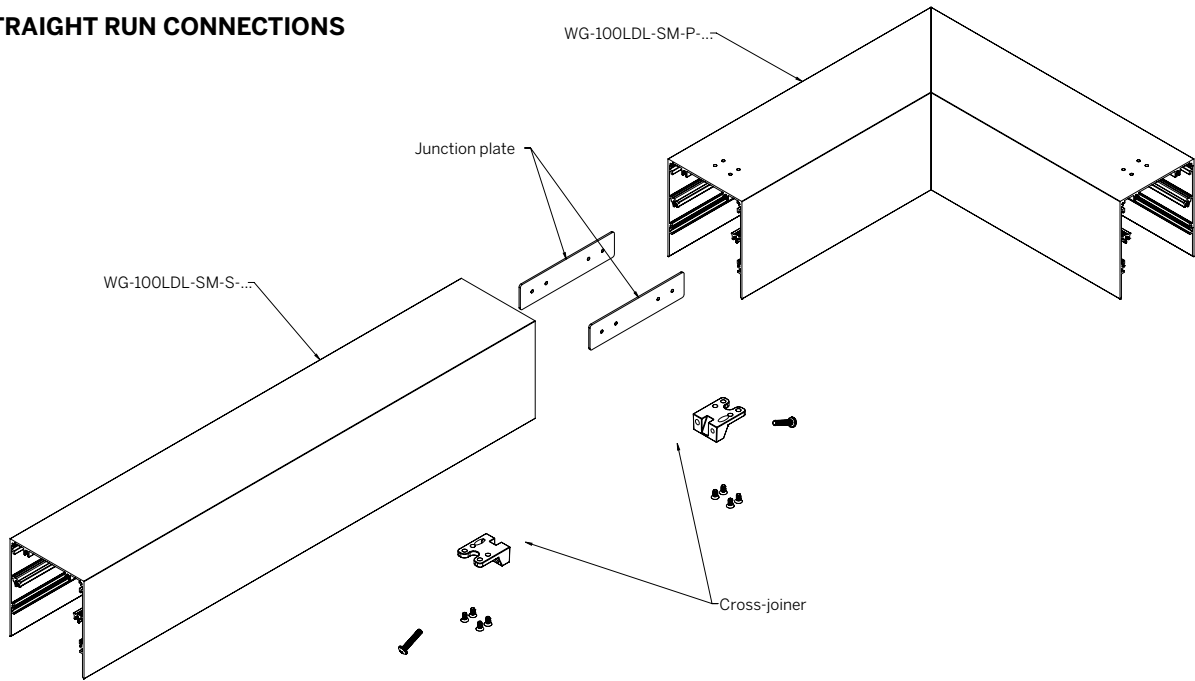
## PLANE TO PLANE OUTSIDE CORNER (PPO)

WG-100LDL-SM-PPO

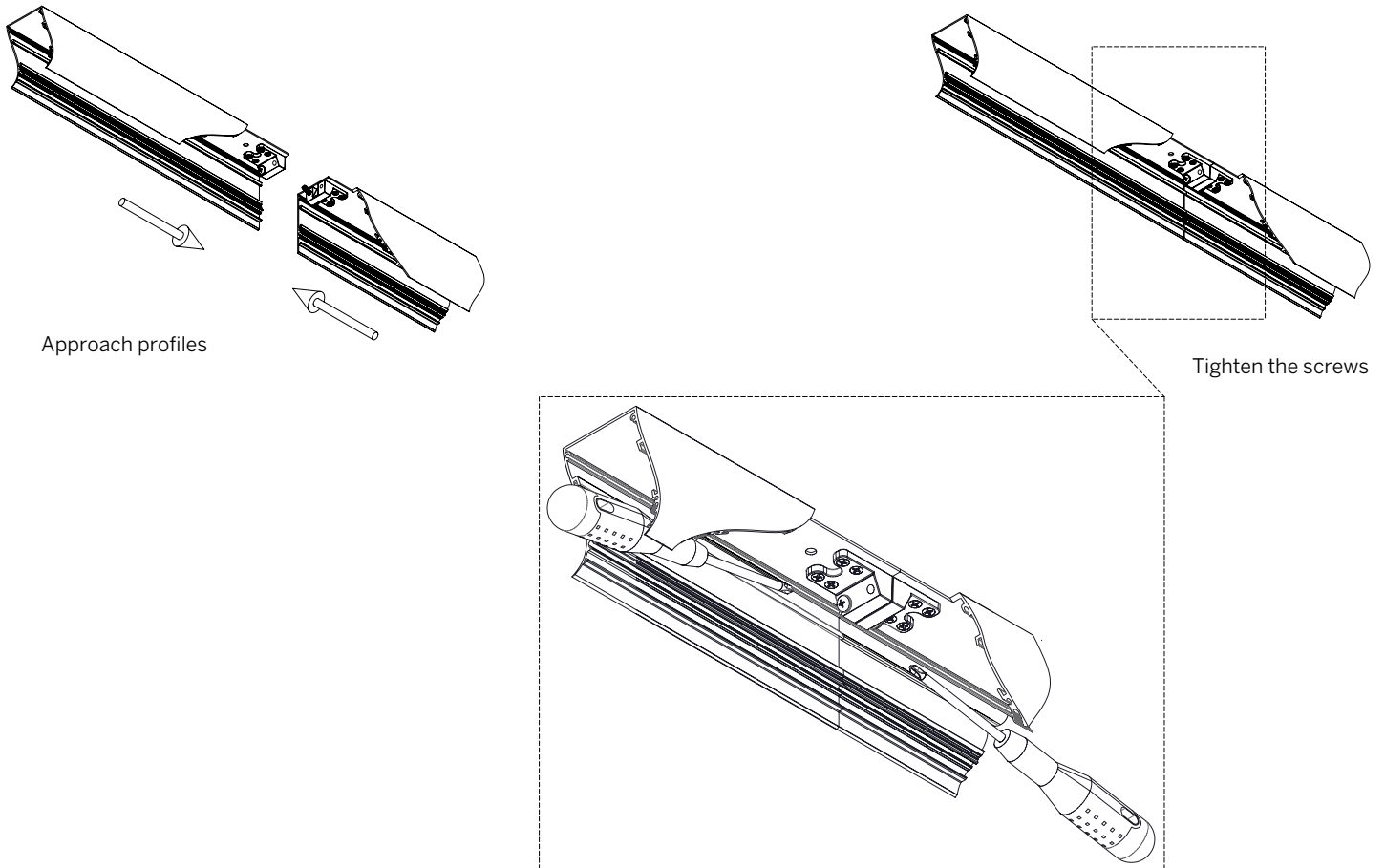


Mitered + Welded Housing  
Mitered + Butted Lens

## CORNER + STRAIGHT RUN CONNECTIONS



## CROSS JOINER



# 100 Linear Surface



## PROFILE DIMENSIONS

