



**WARNING:**  
INSTALL PRODUCT IN ACCORDANCE WITH LOCAL AND NATIONAL ELECTRICAL CODES BY A QUALIFIED ELECTRICIAN OR ELECTRICAL CONTRACTOR.



**WARNING:**  
FAILURE TO COMPLY WITH THE INSTALLATION INSTRUCTIONS MAY RESULT IN DEATH OR SERIOUS INJURY



**WARNING:**  
READ ALL SAFETY INSTRUCTIONS INCLUDED WITH LUMINAIRE BEFORE INSTALLING LUMINAIRE.

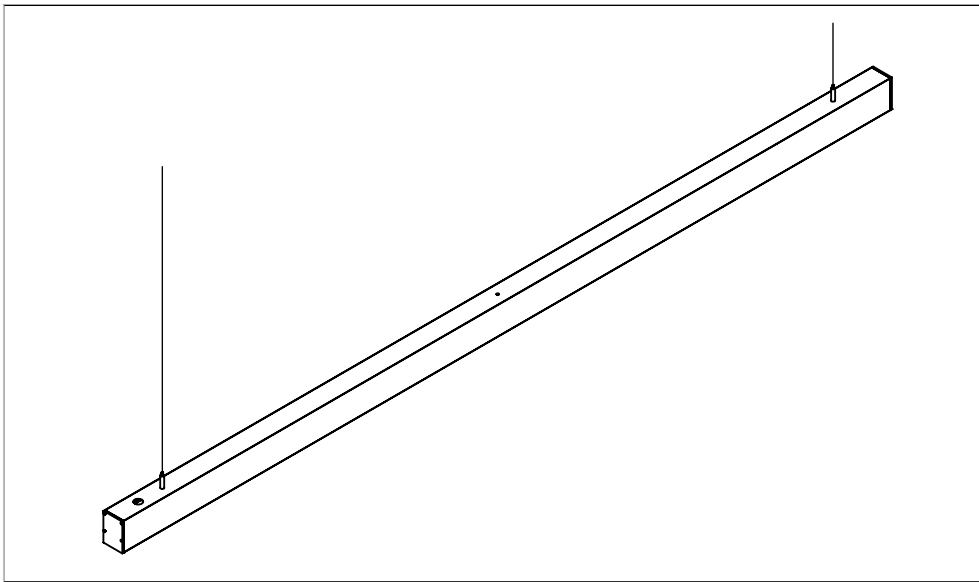
**CAUTION:**

THIS IS AN ELECTRONIC DEVICE. CARE MUST BE TAKEN DURING STORAGE AND HANDLING. STORE IN A CLEAN, COOL AND DRY LOCATION. ELECTROSTATIC DISCHARGE (ESD) CAN HARM THIS PRODUCT. AVOID STATIC DISCHARGE WHILE HANDLING THIS PRODUCT.

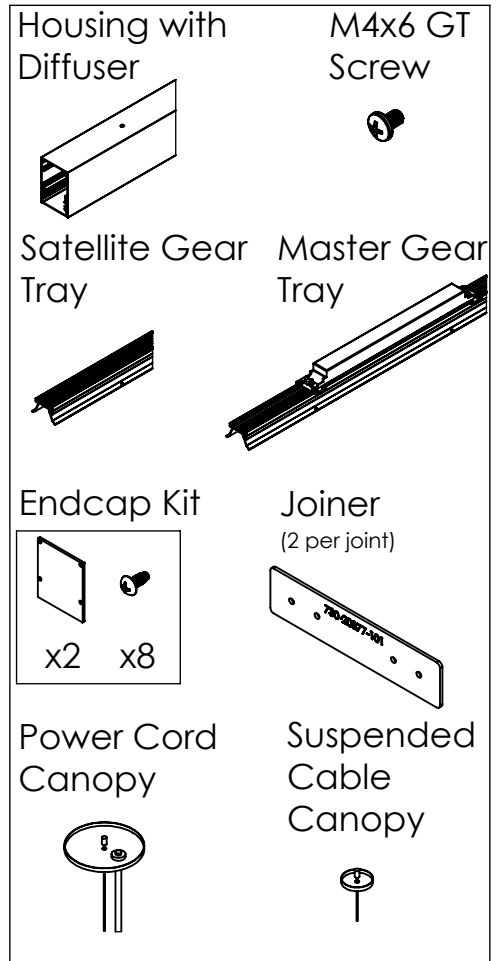
**CAUTION:**

INTER-LUX IS NOT RESPONSIBLE FOR THE STRUCTURAL INTEGRITY OF THE BUILDING TO SUPPORT THE LUMINAIRE. ADDITIONAL BACKING MAY BE REQUIRED.

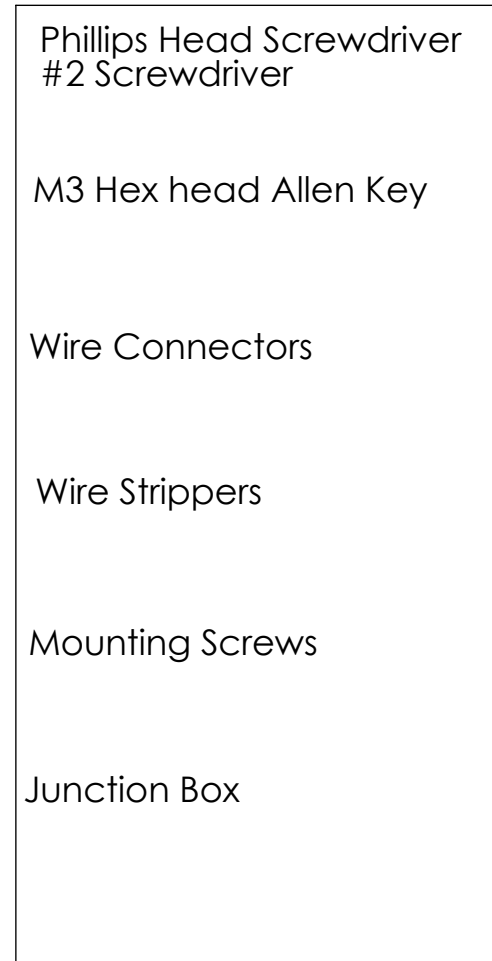
**ISOMETRIC VIEWS**



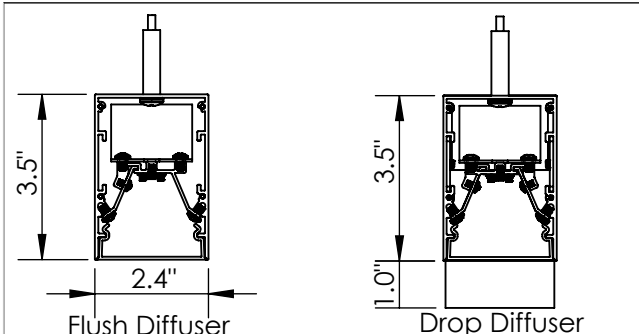
**PACKAGE MAY INCLUDE:** (refer to package list to identify parts)



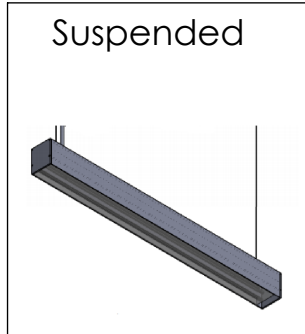
**ITEMS NEEDED (SUPPLIED BY OTHERS):**



**MOUNTING DIMENSIONS**



**MOUNTING OPTIONS**



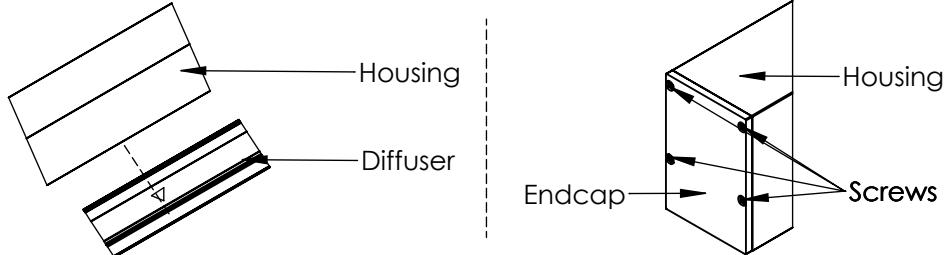
**INSTALLATION INSTRUCTIONS**

LOCATE AND REVIEW ANY CONSTRUCTION PLANS AND INTERLUX RECORD DRAWINGS FOR ALL FIXTURE RUNS.

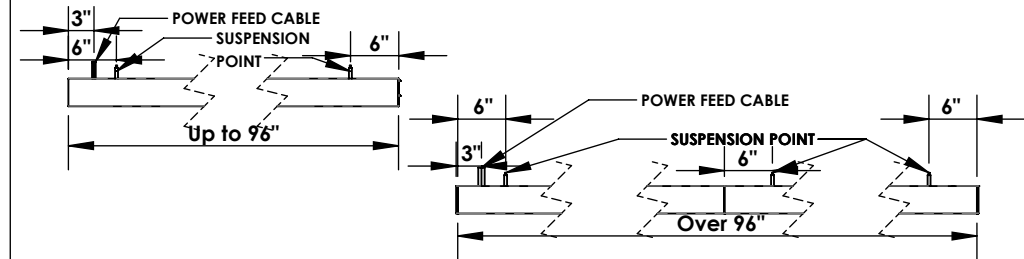
It is recommended to locate and lay out all components for each fixture "run". A fixture run typically consist of endcaps, joiners, canopy kits, lengths of housings with diffuser, and lengths of gear trays (satellite and master). BE SURE TO IDENTIFY ALL CORRECT LENGTHS FOR EACH FIXTURE RUN.

**Step 1: Turn off Power before Installing.**

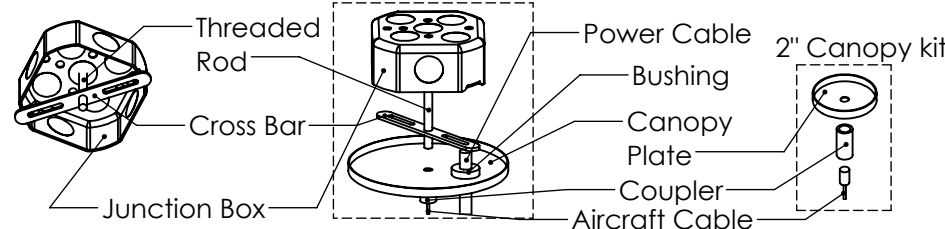
Remove diffuser from housing and lay off to the side. Starting with first housing, install endcap using screws provided in endcap kit. (If single fixture install endcaps on both sides of housing, if not already installed)



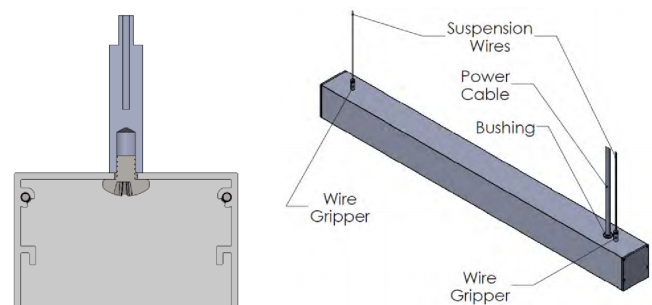
**Step 2:** Mount 4" junction box and suspension canopy in ceiling in accordance with drawing below. Suspension holes (1/4") and power feed hole (7/8") are pre-drilled into housing, canopy ceiling spacing are equal to suspension hole spacing on fixture(s).



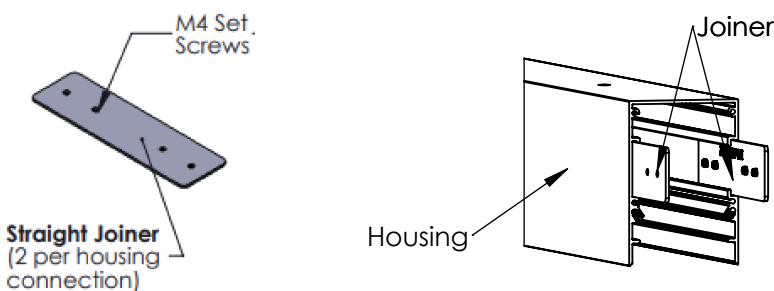
**Step 3:** Make wire connections in junction box and drop down feed power cable. Mount cross bar to junction box. Insert aircraft cable through coupler and attach to cross bar with threaded rod. Repeat this step for non-power suspension point. Install cable gripper from suspension kit to locations on top of housing using supplied hardware from suspension kit.



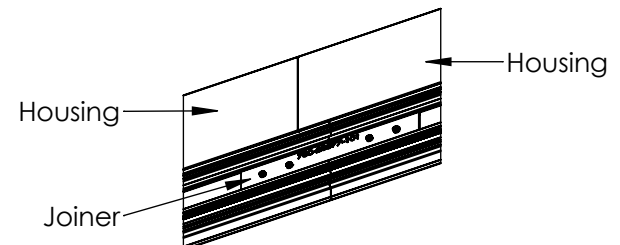
**Step 4:** Insert aircraft cable into power feed housing to suspend it at both locations. Adjust suspension to level the housing.



**Step 5: (If single housing skip this step)** Place one straight joiner on each side of housing as seen below. Tighten set screws using allen key.



**Step 6: (If single housing skip this step)** Insert aircraft cable into cable gripper on next housing. Then, slide joiners across housing seam so they are joining both housings. Tighten set screws on joiners. Repeat steps 5-6 until all housing are installed and leveled. Install endcap on last housing as seen in step 1.



**Step 7:** Feed power cables into housing. Install Gear Trays making electric connections first, then insert gear tray into housing. Refer to pages 2&3 for wiring diagrams if needed. Refer to record drawings for gear tray placement. Secure gear tray to housing using screws in pre-drilled holes. If needed, slightly compress sides of housing to properly align gear tray holes with housing. Repeat this step until all gear trays are installed.



**Step 8:** Re-install diffuser and ensure it is flush along the length of the run. Energize and test for proper operation.



**WARNING:**  
INSTALL PRODUCT IN ACCORDANCE WITH LOCAL AND NATIONAL ELECTRICAL CODES BY A QUALIFIED ELECTRICIAN OR ELECTRICAL CONTRACTOR.

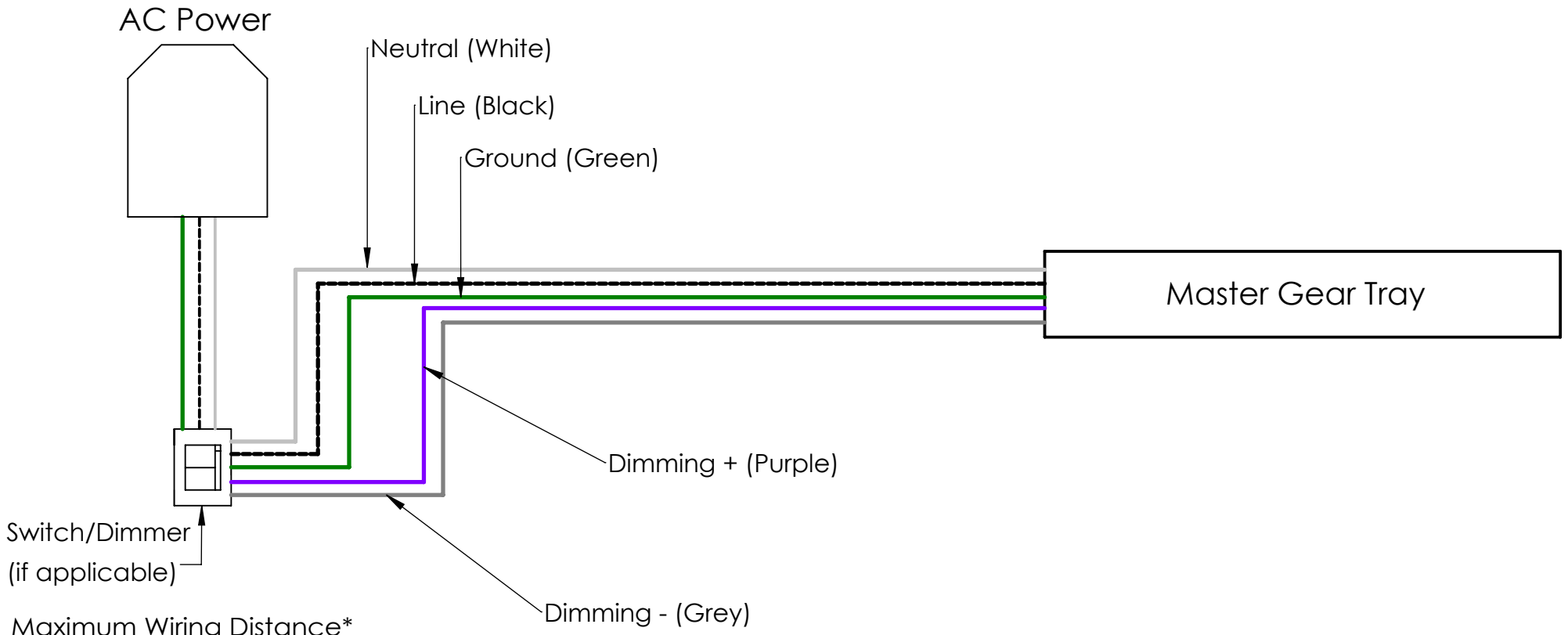
**WARNING:**  
FAILURE TO COMPLY WITH THE INSTALLATION INSTRUCTIONS MAY RESULT IN DEATH OR SERIOUS INJURY

**WARNING:**  
READ ALL SAFETY INSTRUCTIONS INCLUDED WITH LUMINAIRE BEFORE INSTALLING LUMINAIRE.

**CAUTION:**  
THIS IS AN ELECTRONIC DEVICE. CARE MUST BE TAKEN DURING STORAGE AND HANDLING. STORE IN A CLEAN, COOL AND DRY LOCATION. ELECTROSTATIC DISCHARGE (ESD) CAN HARM THIS PRODUCT. AVOID STATIC DISCHARGE WHILE HANDLING THIS PRODUCT.

**CAUTION:**  
INTER-LUX IS NOT RESPONSIBLE FOR THE STRUCTURAL INTEGRITY OF THE BUILDING TO SUPPORT THE LUMINAIRE. ADDITIONAL BACKING MAY BE REQUIRED.

**Wiring Key**



Maximum Wiring Distance\*

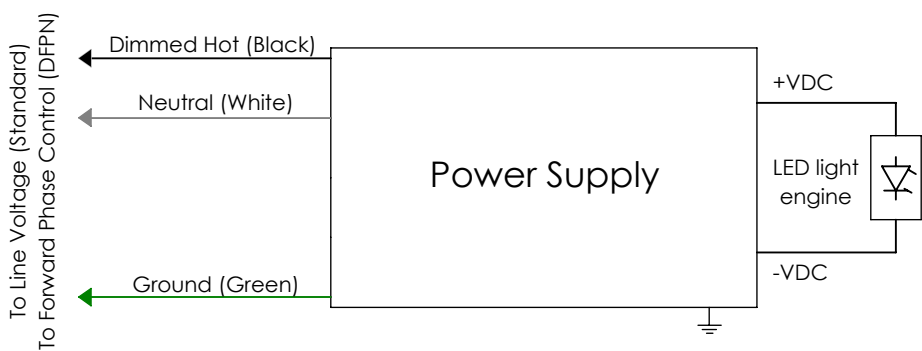
Wire Gauge	Maximum Lead Length			
	Osram			Lutron
	≤ 48W	≤ 72W	≤ 96W	≤ 40W
#18AWG	37'	25'	18'	15'
#16AWG	59'	39'	29'	25'
#14AWG	95'	63'	47'	40'
#12AWG	151'	101'	75'	60'

\*Actual Voltage drop to be calculated by installer

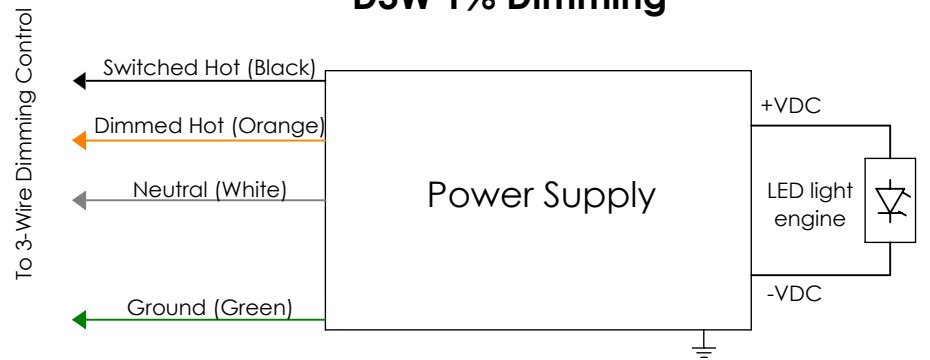
Red	Blue	Green	Black	White	Purple	Grey
Positive	Negative	Ground	Line	Neutral	Dimming +	Dimming -

**Driver Wiring Diagrams**

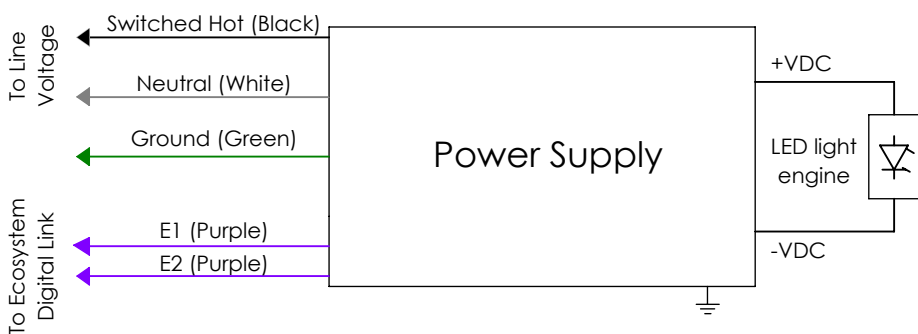
**Standard Non-Dimming/DFPN Dimming**



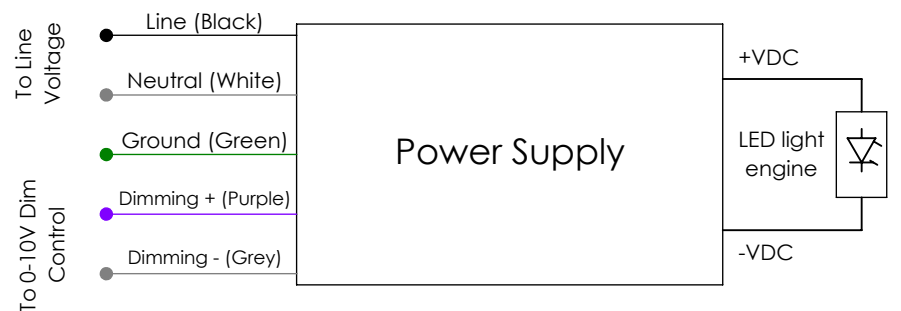
**D3W 1% Dimming**



**DES 1% Dimming**



**0-10V Dimming**



**NOTE: ALL DRIVERS ARE INTER-LUX PROVIDED. FOR NON INTER-LUX DRIVERS PLEASE REFER TO DRIVER MANUFACTURERS. THE USE OF NON INTER-LUX DRIVERS VOIDS PRODUCT WARRANTY**



**WARNING:**

INSTALL PRODUCT IN ACCORDANCE WITH LOCAL AND NATIONAL ELECTRICAL CODES BY A QUALIFIED ELECTRICIAN OR ELECTRICAL CONTRACTOR.



**WARNING:**

FAILURE TO COMPLY WITH THE INSTALLATION INSTRUCTIONS MAY RESULT IN DEATH OR SERIOUS INJURY



**WARNING:**

READ ALL SAFETY INSTRUCTIONS INCLUDED WITH LUMINAIRE BEFORE INSTALLING LUMINAIRE.

**CAUTION:**

THIS IS AN ELECTRONIC DEVICE. CARE MUST BE TAKEN DURING STORAGE AND HANDLING. STORE IN A CLEAN, COOL AND DRY LOCATION. ELECTROSTATIC DISCHARGE (ESD) CAN HARM THIS PRODUCT. AVOID STATIC DISCHARGE WHILE HANDLING THIS PRODUCT.

**CAUTION:**

INTER-LUX IS NOT RESPONSIBLE FOR THE STRUCTURAL INTEGRITY OF THE BUILDING TO SUPPORT THE LUMINAIRE. ADDITIONAL BACKING MAY BE REQUIRED.

**WIRING DIAGRAM**

