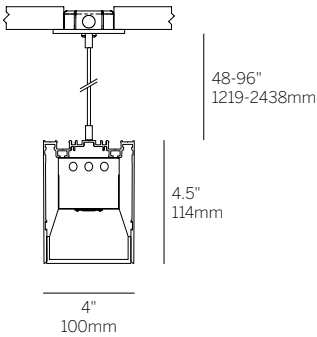


## 100 Linear Suspended Pattern 4 Sided Submittal

Project Name \_\_\_\_\_ SO # \_\_\_\_\_

Fixture Type \_\_\_\_\_ PO# \_\_\_\_\_



### Ordering Information

Model	Fixation	Pattern	Length	Power <sup>2</sup>	CRI/CCT <sup>3</sup>	Driver <sup>4</sup>	Lens	Finish
WG-100LDL-S	48 (std) 96	P <sup>1</sup>	A A x B A x B x C A x B x A x B	L M H	927 930 935 940	X S D010 L3DAE L3D0E DFPN	OD (std) SD	W (std) B G F

### Luminaire

- Suspended ceiling mount.
- Easily installed internal LED tray assembly with integral driver.
- High reflectance white reflector.
- Flush snap-in opal diffuser (standard).
- Powdercoat painted white - RAL 9010.

### Fixation

- 48 = 48" suspension cable standard
- 96 = 96" suspension cable, field-cuttable

### Pattern

- S = Straight run
- P = Standard patterns 2, 3 or 4 sided with 90° corners on the same plane<sup>1</sup>
- PZ = Non-standard patterns and/or corners other than 90° on multiple planes, consult factory<sup>1</sup>

### Length

- A, B, C = specify inches to the nearest 0.25" (i.e. 72.25"). For patterns specify each length (i.e. 2 sided: A x B = 72.25" x 48"; 3 sided: A x B x C; 4 sided: A x B x A x B).

### Power<sup>2</sup>

- L = 3.2W/ft low power (24V)
- M = 6.4W/ft mid power (24V)
- H = 10.5W/ft mid power (24V)

### CRI/CCT<sup>3</sup>

90+ CRI (low/mid/high power)

- 927 = 2700K, (173/321/478 lm/ft)
- 930 = 3000K, (179/331/493 lm/ft)
- 935 = 3500K, (183/337/503 lm/ft)
- 940 = 4000K, (184/341/508 lm/ft)

### Driver (Integral)<sup>4</sup>

- X = No driver, ordered separately
- S = Standard driver 120-277V
- D010 = Osram, 10%, 0-10V dimming, 120-277V
- L3DAE = Lutron Hi-lume 1% EcoSystem, 120-277V
- L3D0E = Lutron Hi-lume Premier 0.1 EcoSystem, 120-277V
- DFPN = Lutron Forward Phase 1% 120VAC

### Lens

- OD = Satin opal diffuser (standard)
- SD = Satin clear diffuser (high efficiency)

### Finish

- W = White, 20% gloss, RAL9010 (standard)
- B = Black, 20% gloss
- G = Gray, 20% gloss
- F = Custom finished trim, specify RAL

### Emergency

- Emergency LED driver available, order separately.

<sup>1</sup> See pattern specsheet.

<sup>2</sup> Wattage shown does not include power supplies/drivers.

<sup>3</sup> Delivered lumens with satin opal diffuser shown.

<sup>4</sup> Remote power supply required. See power supply page for details.

### Customer Approval

<input type="checkbox"/>	Approved	Company _____
<input type="checkbox"/>	Approved with corrections noted	Signature _____
<input type="checkbox"/>	Revise and Resubmit	Print Name _____
		Date _____

Original Date Submitted \_\_\_\_\_

# 100 Linear Suspended

Submittal - 4 Sided Pattern

Project Name \_\_\_\_\_ SO # \_\_\_\_\_

Fixture Type \_\_\_\_\_ PO# \_\_\_\_\_

System	Qty.	'A'	'B'
1	_____	_____	_____
2	_____	_____	_____
3	_____	_____	_____
4	_____	_____	_____
5	_____	_____	_____

**Customer Approval** Company \_\_\_\_\_

Approved Signature \_\_\_\_\_

Approved with corrections noted Print Name \_\_\_\_\_

Revise and Resubmit Date \_\_\_\_\_

