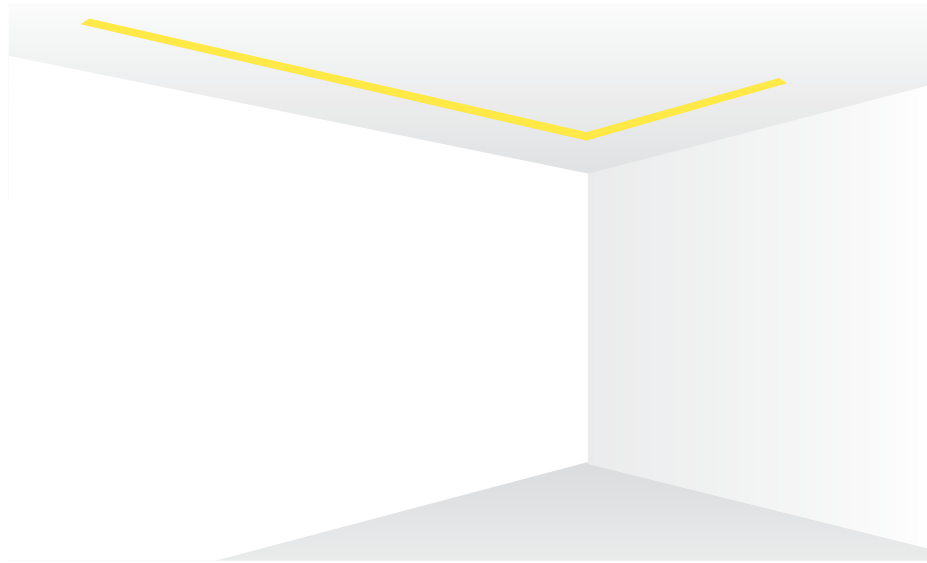


20 Linear Wall Wash - High Angle Illumination

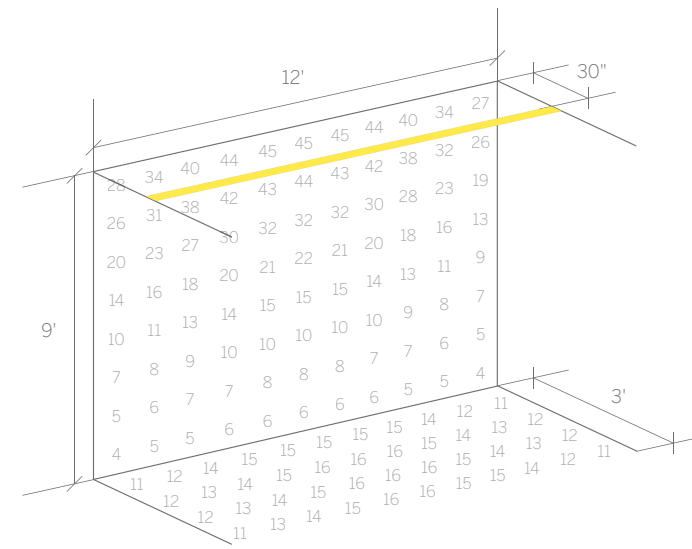
WG 20LWW-RPT, WG 20LWW-RBT, WG 20LWW-SRPT, WG 20LWW-SRBT



The 20LWW allows a smooth gradated wash of light onto a surface from a small narrow aperture, and from a very shallow luminaire requiring very minimal recessing. Light starts exceptionally high on the wall, and covers the whole wall and also supplies a degree of ambient light to the floor below. The luminaire can be mounted in any orientation. For example, it could be used high on the wall to light the ceiling, or low down the wall to light the floor.

If you prefer to have a seamless ceiling line, specify the recessed luminaire. There will be a slightly less bright zone at the top of the wall, but it is less than an inch from the ceiling, and is soft edged so it doesn't stand out. If you want light right up to the very top of the wall, you'll need to specify the semi recessed luminaire. Even then, it only protrudes about half an inch, so it's still very minimal.

9' Ceiling, 30" Optimum Offset



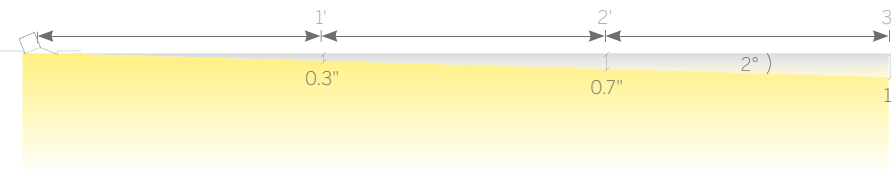
These diagrams indicate light levels to be expected on the wall and floor when using these luminaire types at various distances from the wall.

This page shows what we feel are the optimum offsets for the ceiling heights as shown.

The following page shows results at different offsets.

Angle of Illumination / High Angle Lighting Performance

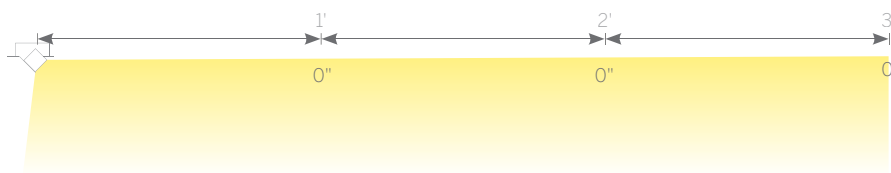
WG 20LWW-RPT, WG 20LWW-RBT



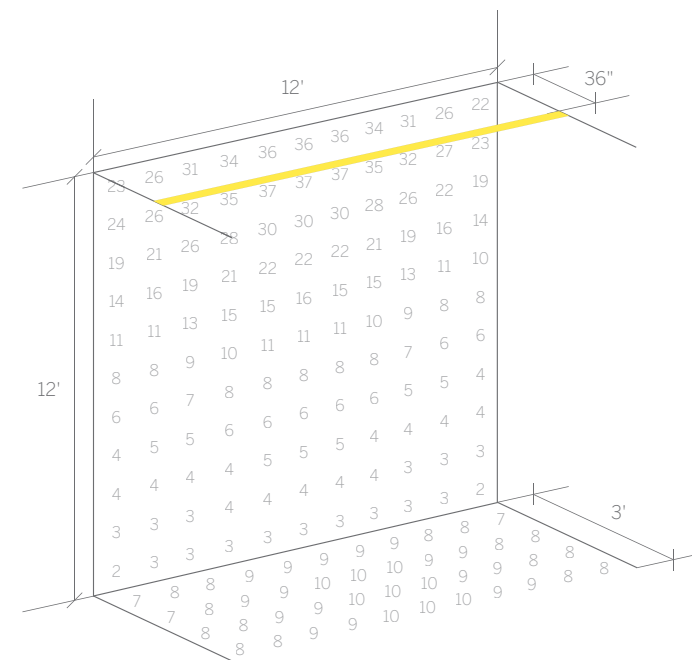
The diagrams show the point at which the contrast between the lit and the unlit perpendicular surface occurs as a soft transition line, at various distances from the luminaire.

Values in feet & inches

WG 20LWW-SRPT, WG 20LWW-SRBT



12' Ceiling, 36" Optimum Offset



Values in Foot Candles

Calculated on the following basis:

Reflectances	Maintenance Factor	LED	Diffuser
Ceiling 70%	1.0	579lm/ft*	Satin Opal
Walls 50%		3000 Kelvin	
Floor 20%		90 CRI	

20 Linear Wall Wash Plaster Trim

Product Details

148

20 Linear Wall Wash Semi-Recessed Plaster Trim

Product Details

152

20 Linear Wall Wash Bezel Trim

Product Details

150

20 Linear Wall Wash Semi-Recessed Bezel Trim

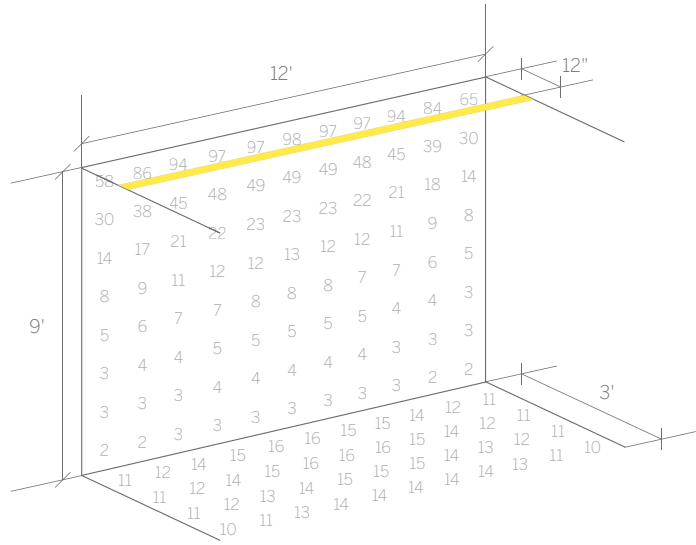
Product Details

154

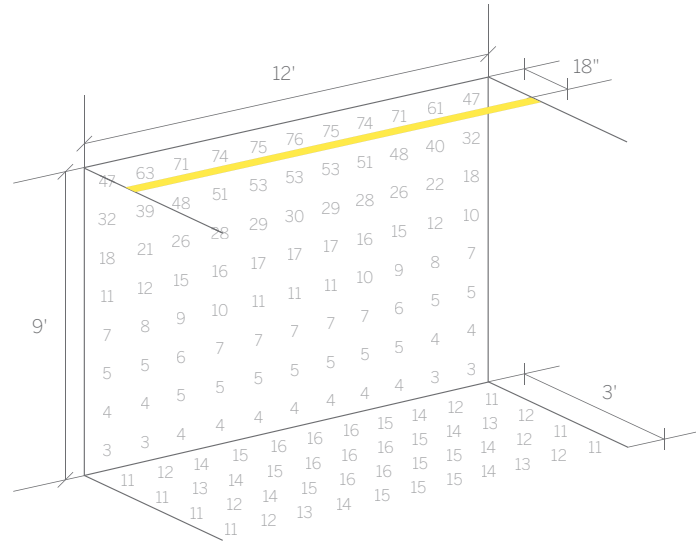
20 Linear Wall Wash - High Angle Illumination

WG 20LWW-RPT, WG 20LWW-RBT, WG 20LWW-SRPT, WG 20LWW-SRBT

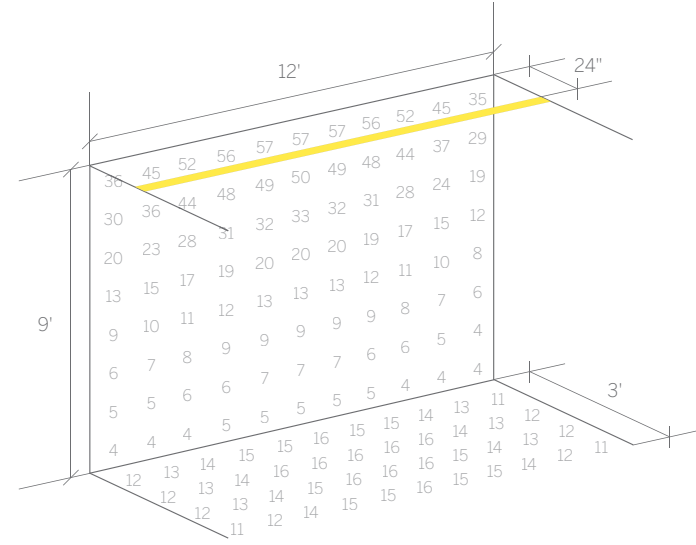
9' Ceiling, 12" Offset



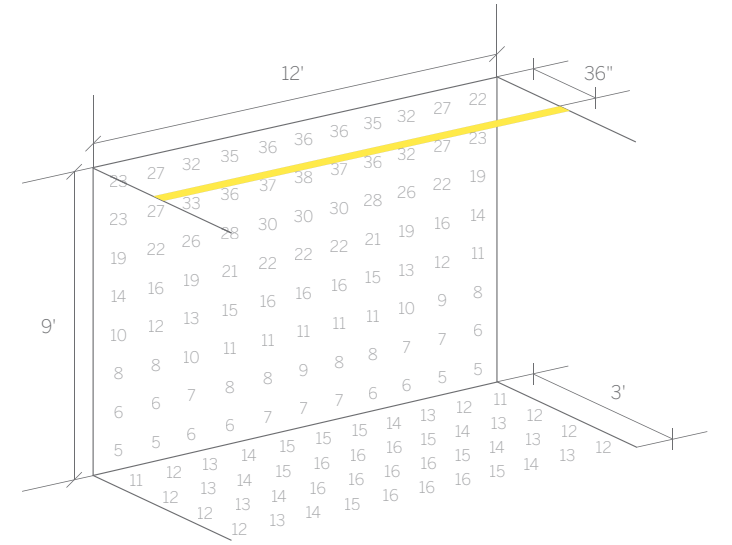
9' Ceiling, 18" Offset



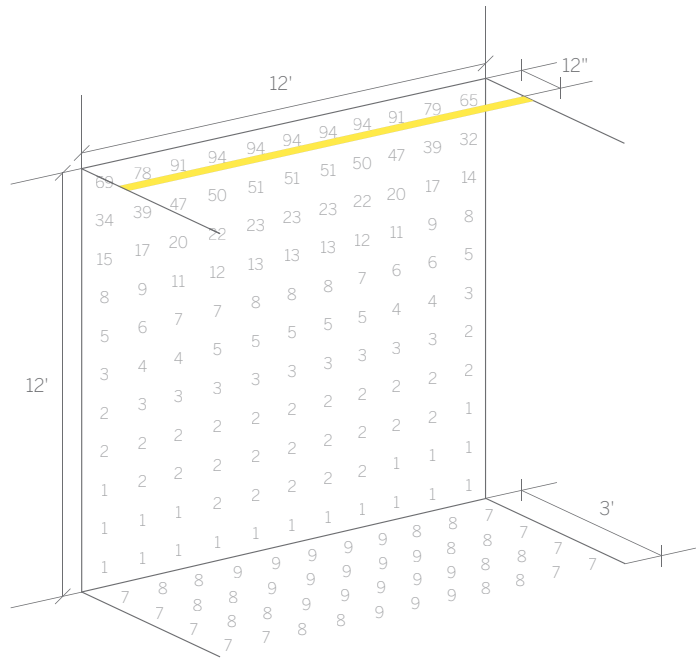
9' Ceiling, 24" Offset



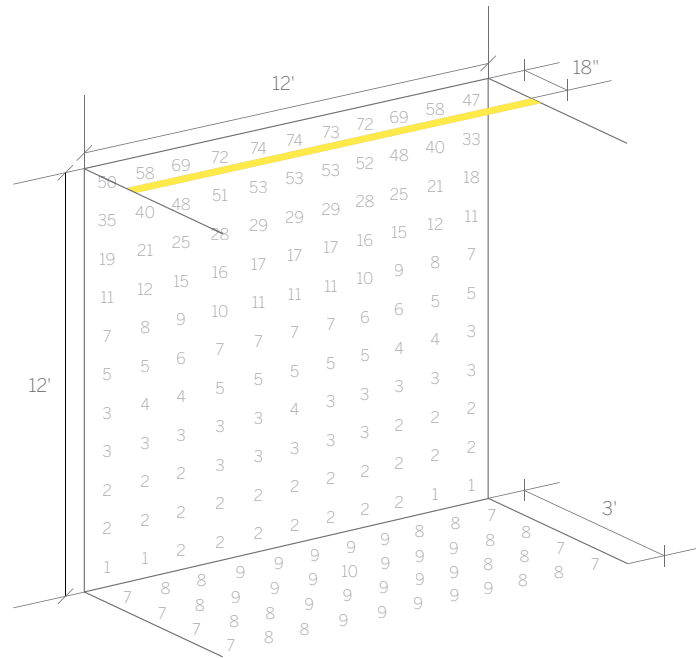
9' Ceiling, 36" Offset



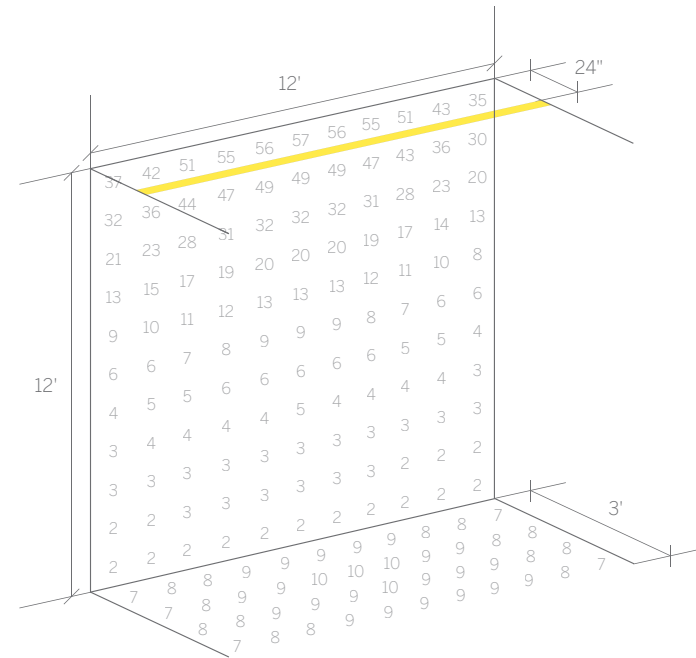
12' Ceiling, 12" Offset



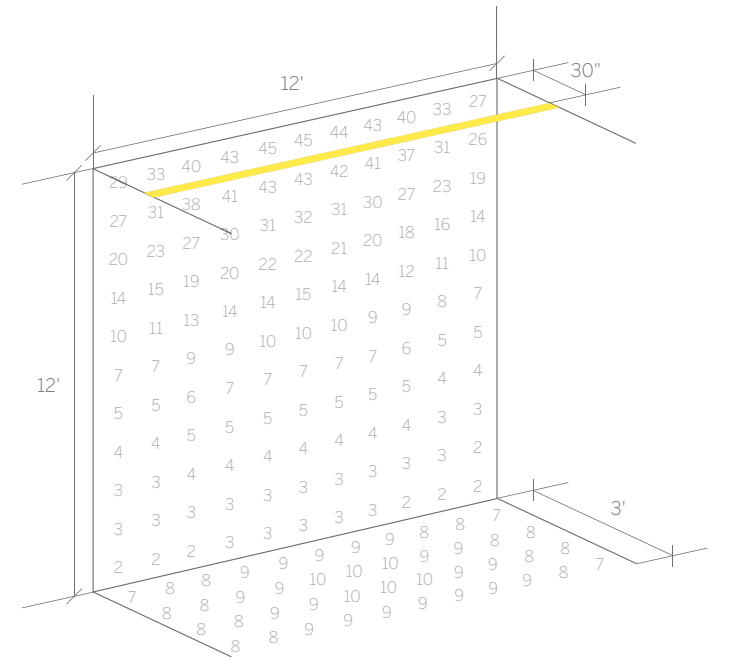
12' Ceiling, 18" Offset



12' Ceiling, 24" Offset



12' Ceiling, 30" Offset



Values in Foot Candles

Values in Foot Candles

**20 Linear Wall Wash
Plaster Trim**

Product Details 148

**20 Linear Wall Wash
Bezel Trim**

Product Details 150

**20 Linear Wall Wash
Semi-Recessed Plaster Trim**

Product Details 152

**20 Linear Wall Wash
Semi-Recessed Bezel Trim**

Product Details 154

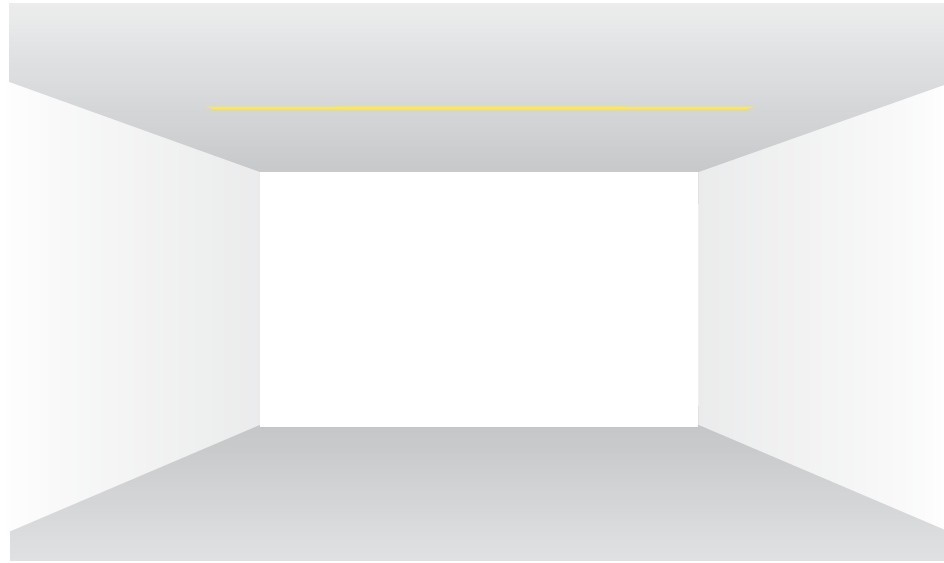
Calculated on the following basis:

Reflectances	Maintenance Factor	LED	Diffuser
Ceiling 70%	1.0	579lm/ft*	Satin Opal
Walls 50%		3000 Kelvin	
Floor 20%		90 CRI	

*Lumen data correct at the time of print. Source lumens shown. For up to date lumen data refer to specsheet.

20 Linear/60 Linear - Single Luminaire

WG 20LDL-RPT, WG 20LDL-RBT, WG 20LDL-SM, WG 20LRF, WG 20LUC-SM, WG 60LDL-RPT, WG 60LDL-RBT, WG 60LDL-SM, WG 60LDL-S



Plaster trim, bezel trim, surface mount and suspended luminaires with continuous even light along the entire lens.

Use for general area lighting in single units, grid patterns or groups, and continuous runs including horizontal and vertical corners.

Also, consider using at close offset from a wall or other feature surface to draw focus to it.

Refer to the diagram on the left, select your luminaire and read off the light level achieved in the table below.

Calculated on the following basis:

Reflectances

Ceiling 70%

Walls 50%

Floor 20%

Maintenance factor

1.0

LED

Medium Power

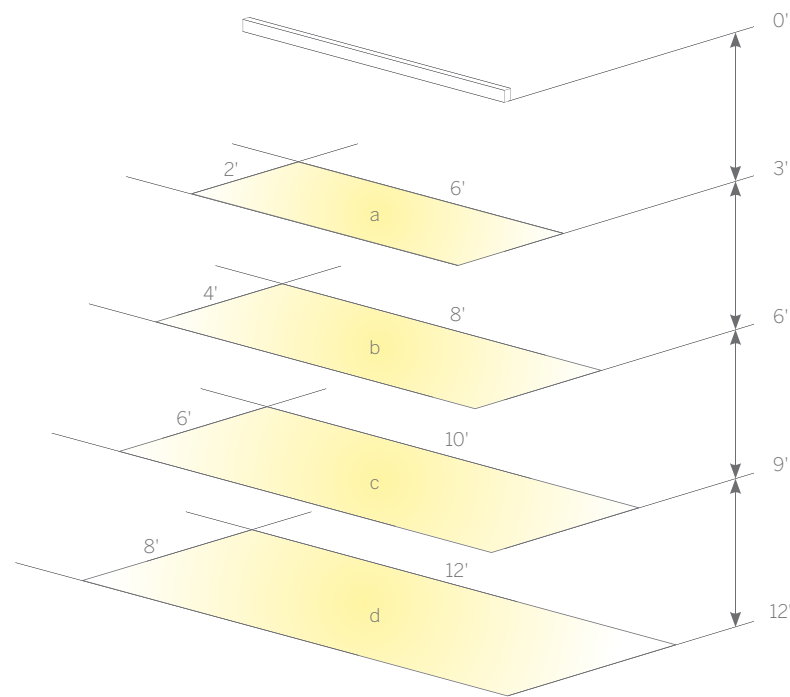
3000 Kelvin

90 CRI

Average light levels at set distances

The diagram shows the average light level achieved across an area of the size shown, at the given distance from the luminaire.

Length of fixture: 4 ft



Values in Foot Candles

Calculation Results

Luminaire Type	Accessory	Power	Average light levels (fc) at given distance from luminaire			
			a	b	c	d
WG 20LDL-RPT, WG 20LDL-RBT, WG 20LDL-SM, WG 20LUC-SM, WG 20LRF	Satin Opal	579lm/ft*	34	12	7	5
	Satin Clear	579lm/ft*	54	18	10	7
WG 60LDL-RPT, WG 60LDL-RBT, WG 60LDL-SM, WG 60LDL-S	Satin Opal	691lm/ft*	48	17	9	6
	Satin Clear	691lm/ft*	66	23	12	8

Values in Foot Candles

20 Linear All Mounting Options

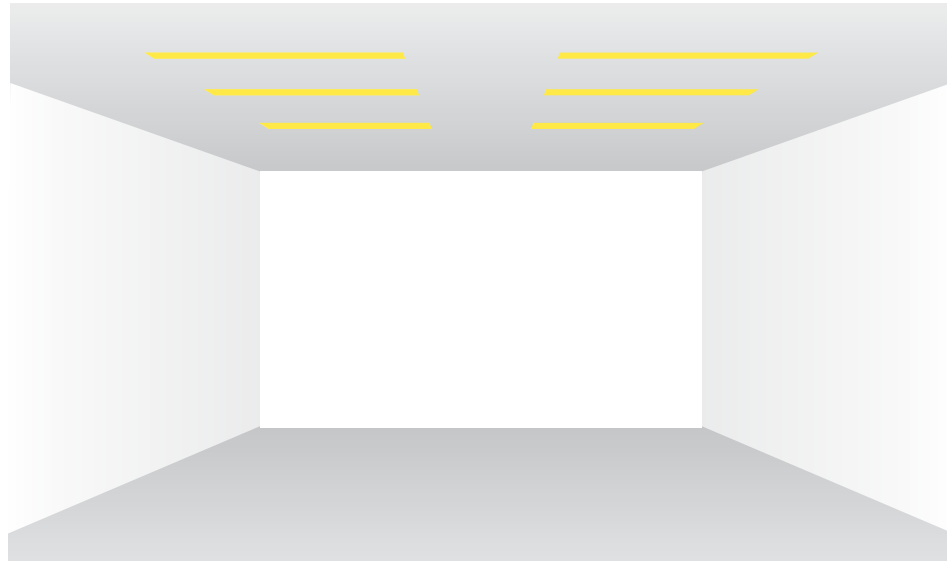
Product Details 120-139

60 Linear All Mounting Options

Product Details 184-191

20 Linear/60 Linear - Grid Set Out

WG 20LDL-RPT, WG 20LDL-RBT, WG 20LDL-SM, WG 20LUC-SM, WG 60LDL-RPT, WG 60LDL-RBT, WG 60LDL-SM, WG 60LDL-S



Surface mount, suspended, plaster trim and bezel trim luminaires available in any length with continuous even light along the entire lens.

Use for general area lighting in grid patterns or groups. Also, consider using at close offset from a wall or other feature surface to draw focus to it.

Refer to the diagram on the left, select your luminaire, ceiling height and set out, and read off the light level achieved in the table below.

Calculated in a 20'x20' room size and on the following basis:

Reflectances

Ceiling 70%
Walls 50%
Floor 20%

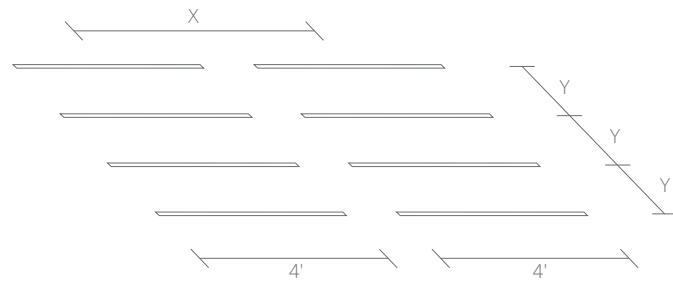
Maintenance factor

1.0

LED

Medium Power
3000 Kelvin
90 CRI

Average light levels at set spacing



The diagram and table can be read to establish light levels achieved when luminaires are set out at the dimensions indicated, at the ceiling heights shown.

20LDL Satin Clear 579lm/ft*
60LDL Satin Clear 691lm/ft*

X = luminaire spacing center to center
4.0' spacing = continuous luminaire
Y = distance between rows

Calculation Results

Luminaire Type	Accessory	Ceiling Height	Y	X Average Light Levels (fc)				
				4.0'	6.0'	8.0'	10.0'	
WG 20LDL-RPT, WG 20LDL-RBT, WG 20LDL-SM, WG 20LUC-S	Satin Clear	9.0'	4.0'	45	42	39	36	
			6.0'	38	35	32	30	
			8.0'	29	27	25	23	
			10.0'	22	20	19	18	
	12.0'	4.0'	35	34	31	30		
		6.0'	30	29	27	25		
		8.0'	23	21	21	19		
		10.0'	18	17	16	15		
	WG 60LDL-RPT, WG 60LDL-RBT, WG 60LDL-SM, WG 60LDL-S	Satin Clear	9.0'	4.0'	34	31	29	27
				6.0'	28	26	24	22
				8.0'	21	20	18	17
				10.0'	17	15	14	13
12.0'		4.0'	26	25	24	22		
		6.0'	23	21	20	19		
		8.0'	17	16	15	14		
		10.0'	13	12	12	11		

Values in Foot Candles

**20 Linear
All Trim Options**

Product Details 120-139

**60 Linear
All Trim Options**

Product Details 184-191