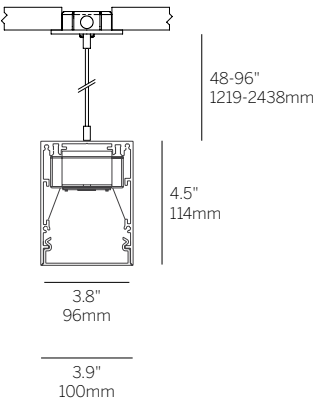
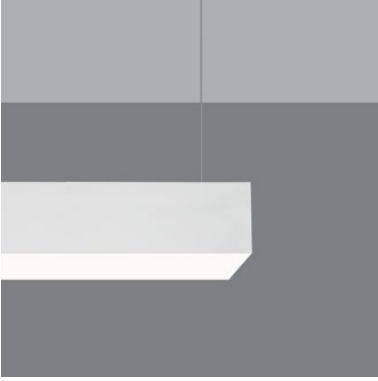
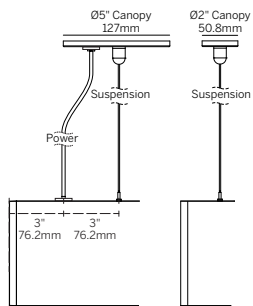


100 Linear Suspended Flush Lens

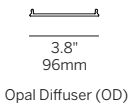


3.9"
100mm



Power Feed + Suspension

Lenses/Accessories



Ordering Information

Model	Fixation	Pattern	Length	Power ²	CRI/ CCT ³	Driver ⁵	Lens	Finish ⁶	Options
WG-100LDL	S48 S96 SXX	S P ¹ PZ ¹	A A x B A x B x C A x B x A x B	P1 P2 P3 P4 M	927 930 935 940 TW ⁴ RGBW	E1 L1 POE BT DALI TQ DMX	OD (std)	W (std) B S F	EM

Luminaire

- Continuous, evenly illuminated snap-in opal diffuser for even illumination standard.
- Easily installed internal LED tray assembly with integral driver. Field replaceable LED boards.
- 90+ CRI, 3 steps MacAdam.
- L70 (TM21 Projected 85C) 72,000 hours. RGBW 50,000 hours.
- ETL and ETL-C for dry and damp location.
- Lengths and angles factory cut to exact field dimensions. Standard and custom corners.
- Powdercoat painted.

Fixation

- 48 = 48" suspension cable, field-cuttable (standard)
- 96 = 96" suspension cable, field-cuttable
- XX = Specify suspension cable length

Pattern

- S = Straight run
- P = Standard patterns 2, 3 or 4 sided with 90° corners on the same plane¹
- PZ = Non-standard patterns and/or corners other than 90° on multiple planes, consult factory¹

Length

- A, B, C = specify inches to the nearest 0.25" (i.e. 72.25"). For patterns specify each length (i.e. 2 sided: A x B = 72.25" x 48"; 3 sided: A x B x C; 4 sided: A x B x A x B).

Power²

- P1 = 3W/ft
- P2 = 6W/ft (Static White/Tuneable White)
- P3 = 10W/ft (Static White/Tuneable White)
- P4 = 15W/ft
- M = 7.6W/ft (RGBW Only)

CRI/CCT (90+ CRI)³

- 927 = 2700K
- 930 = 3000K
- 935 = 3500K
- 940 = 4000K
- TW = Tuneable white 2200-4000⁴
- RGBW = 3000K White

Driver (Integral)⁵

- E1 = EldoLED 0.1% dimming, 0-10V (120-277V)
- L1 = Lutron 1% dimming, Ecosystem (120-277V)
- PoE = Power over Ethernet
- BT = Wireless CAS – Casambi (Must specify BT with E1 or DALI)
- DALI = EldoLED Dali DT8 0.1% (120-277V)
- TQ = T-Series for Lutron Quantum 0.1% (120-277V) (Tunable white ONLY)
- DMX = Osram+EldoLED, 24V, DMX Dimming (RGBW ONLY)

Lens

- OD = Satin opal diffuser (standard diffuse)

Finish⁶

- W = White, 15% gloss, RAL 9010 / Tiger Drylac 009/10120 (standard)
- B = Black, 15% gloss, RAL 9005 / Tiger Drylac 044/90053
- S = Silver, 15% gloss, RAL 9006 / Tiger Drylac 049/90500
- F = Custom finished trim, specify RAL

Options

- EM = Emergency LED driver (remote only)

1 See pattern spec sheet.
 2 Wattage shown does not include power supplies/drivers.
 3 See photometric data sheet for delivered lumens.
 4 TW only available with P2 and P3.
 5 See power supply page for details.
 6 See Tiger Drylac color chart: inter-lux.com/tiger