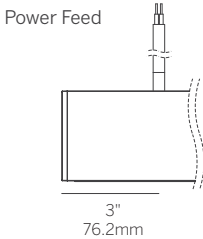
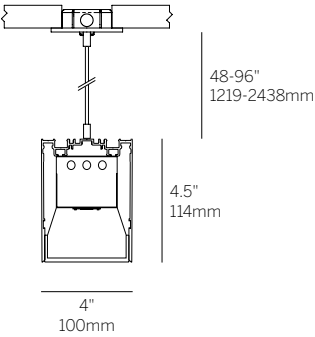
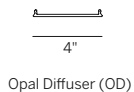


# 100 Linear Suspended Flush Lens



## Lenses/Accessories



## Ordering Information

Model	Fixation	Pattern	Length	Power <sup>2</sup>	CRI/ CCT <sup>3</sup>	Driver <sup>5</sup>	Lens	Finish <sup>6</sup>	Options
WG-100LDL	S48 S96 SXX	S P <sup>1</sup> PZ <sup>1</sup>	A A x B A x B x C A x B x A x B	P1 P2 P3 P4 M	927 930 935 940 TW <sup>4</sup> RGBW	E1 L1 POE BT DALI TQ DMX	OD (std)	W (std) B S F	EM

### Luminaire

- Continuous, evenly illuminated snap-in opal diffuser for even illumination standard.
- Easily installed internal LED tray assembly with integral driver. Field replaceable LED boards.
- 90+ CRI, 3 steps MacAdam.
- L70 (TM21 Projected 85C) 72,000 hours. RGBW 50,000 hours.
- ETL and ETL-C for dry and damp location.
- Lengths and angles factory cut to exact field dimensions. Standard and custom corners.
- Powdercoat painted.

### Fixation

- 48 = 48" suspension cable, field-cuttable (standard)
- 96 = 96" suspension cable, field-cuttable
- XX = Specify suspension cable length

### Pattern

- S = Straight run
- P = Standard patterns 2, 3 or 4 sided with 90° corners on the same plane<sup>1</sup>
- PZ = Non-standard patterns and/or corners other than 90° on multiple planes, consult factory<sup>1</sup>

### Length

- A, B, C = specify inches to the nearest 0.25" (i.e. 72.25"). For patterns specify each length (i.e. 2 sided: A x B = 72.25" x 48"; 3 sided: A x B x C; 4 sided: A x B x A x B).

### Power<sup>2</sup>

- P1 = 3W/ft
- P2 = 6W/ft (Static White/Tuneable White)
- P3 = 10W/ft (Static White/Tuneable White)
- P4 = 15W/ft
- M = 7.6W/ft (RGBW Only)

### CRI/CCT (90+ CRI)<sup>3</sup>

- 927 = 2700K
- 930 = 3000K
- 935 = 3500K
- 940 = 4000K
- TW = Tuneable white 2200-40004
- RGBW = 3000K White

### Driver (Integral)<sup>5</sup>

- E1 = EldoLED 0.1% dimming, 0-10V (120-277V)
- L1 = Lutron 1% dimming, Ecosystem (120-277V)
- PoE = Power over Ethernet
- BT = Wireless CAS – Casambi (Must specify BT with E1 or DALI)
- DALI = EldoLED Dali DT8 0.1% (120-277V)
- TQ = T-Series for Lutron Quantum 0.1% (120-277V) (Tunable white ONLY)
- DMX = Osram+EldoLED, 24V, DMX Dimming (RGBW ONLY)

### Lens

- OD = Satin opal diffuser (standard diffuse)

### Finish<sup>6</sup>

- W = White, 15% gloss, Tiger Drylac 49/11350 (standard)
- B = Black, 15% gloss, Tiger Drylac 44/90053
- S = Silver, 15% gloss, Tiger Drylac 49/90500
- F = Custom finished trim, specify RAL

### Options

- EM = Emergency LED driver (remote only)

- See pattern spec sheet.
- Wattage shown does not include power supplies/drivers.
- See photometric data sheet for delivered lumens.
- TW only available with P2 and P3.
- See power supply page for details.
- See Tiger Drylac color chart: [inter-lux.com/tiger](http://inter-lux.com/tiger)

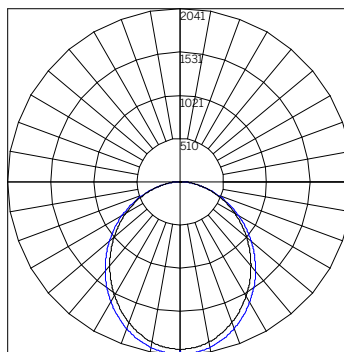
# 100 Linear Suspended Flush Lens

## WG-100LDL-...-OD-W Delivered Lumens Per Foot

CCT	Power				
	P1 [3 W/ft]	P2 [6 W/ft]	P3 [10 W/ft]	P4 [15 W/ft]	RGBW [7.6 W/ft]**
927	291	546	840	1270	-
930	303	569	875	1232	-
935	317	596	916	1385	-
940	326	612	941	1422	-
TW**	-	262	403	-	-
RGBW**	-	-	-	-	225

Power Multiplier					
	P1 [3 W/ft]	P2 [6 W/ft]	P3 [10 W/ft]	P4 [15 W/ft]	RGBW [7.6 W/ft]**
	0.23	0.44	0.67	1.00	0.17

CCT Multiplier					
	927	930	935	940	TW**
	0.96	1.00	1.05	1.08	0.46



BEAM ANGLE (0-180) = 105.1  
BEAM ANGLE (90-270) = 101.8

## ILLUMINANCE - 48" OD P4 3000K WG-100LDL-...-S-48-930-P4-...-OD-W\*

Mounting Height [ft]	Illuminance [fc at max cd]	Beam Width [ft]
2	510	5.2
4	128	10.4
6	57	15.7
8	32	20.9
10	20	26.1
12	14	31.3
14	10	36.5
16	8	41.7
18	6	47
20	5	52.2

\*Polar Plot and Cone of Light are applicable to part number noted; use Multiplication Factor table to approximate other models or refer to online photometry.

\*\*TW Tuneable White lumen data at maximum output / 4000K CCT. RGBW lumen data at maximum output for all colors + white.