

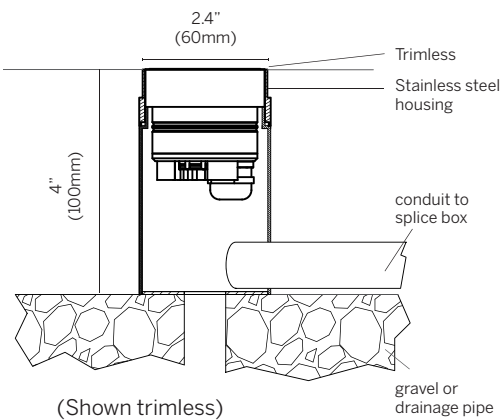


Ordering Information¹

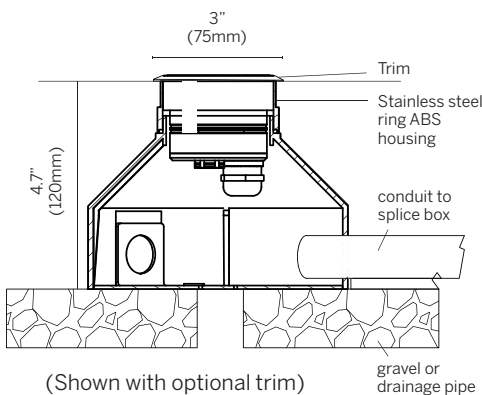
Model	Power	Color	Optics	Voltage	Options	Housing
F RDP60			LL	24		
F RDP60	L H	27 30 35 40	LL	24	TR C1 C2 C3	RD60C RD60T

¹Specify remote power supply separately below.

Tile Housing (driveover)



Concrete Housing (driveover)



Luminaire

- Trimless for seamless integration into grade; optional stainless steel trim
- Snap in installation with no exposed hardware
- Sustainable design with replaceable LED module
- IP67, UL STD 1598, wet location, Pedestrian driveover rated 3000 lb
- Stainless steel construction (concrete housing), ABS construction (tile housing) with clear tempered glass
- 1' (0.3m) feed cable standard

Size

- 2.4" ϕ (60mm) x 4" H (100mm) standard trimless
- 3" ϕ (75mm) x 4.7" H (120mm) with optional trim

Power

- L = 3W, 3000K - 210 lm
- H = 4W, 3000K - 310 lm

Color Temperature

- 27 = 2700K
- 30 = 3000K
- 35 = 3500K
- 40 = 4000K
- 2 Step MacAdam
- CRI: > 85

Optics

- LL = even illumination

Voltage

- 24 = 24VDC fixture voltage (remote driver required)

Options

- TR = stainless steel 304 trim, size: 0.12" (3mm)
- C1 = 10' (3m) feed cable
- C2 = 20' (6m) feed cable
- C3 = 30' (9m) feed cable

Housing

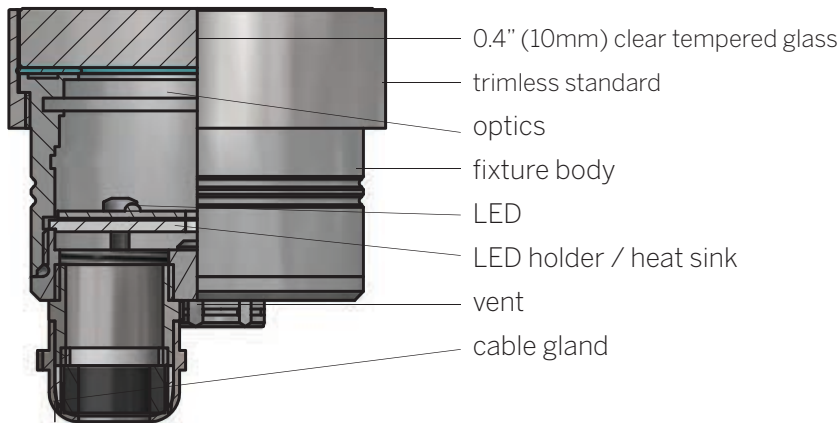
- RD60C = concrete
- RD60T = tile

Power Supply² (Remote)

- OT96-D010: 10% 0-10V dim, 96W, 24VDC, 120-277VAC, remote mounted, supplied in a dry location enclosure.

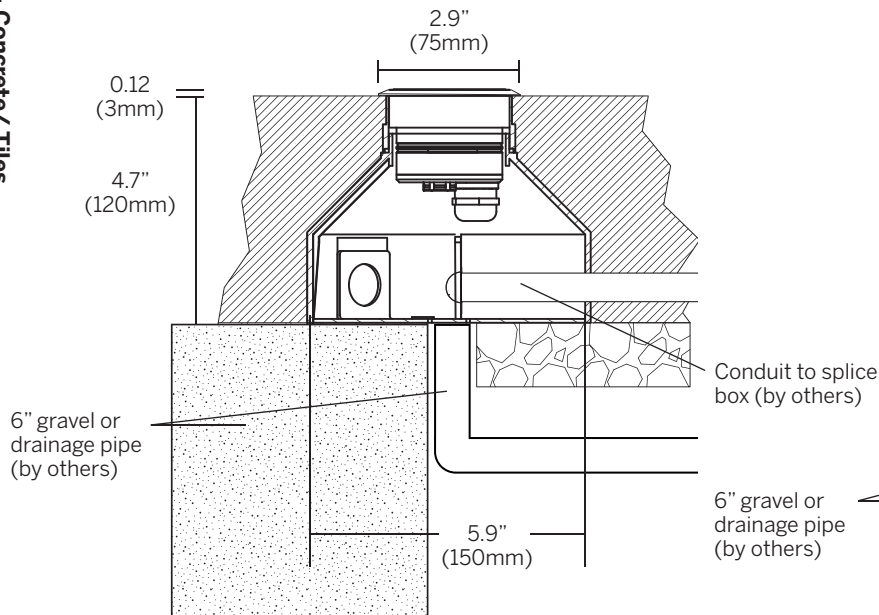
²See power supply pages for details. No enclosure, unless stated. lm80 values shown.

Fixture

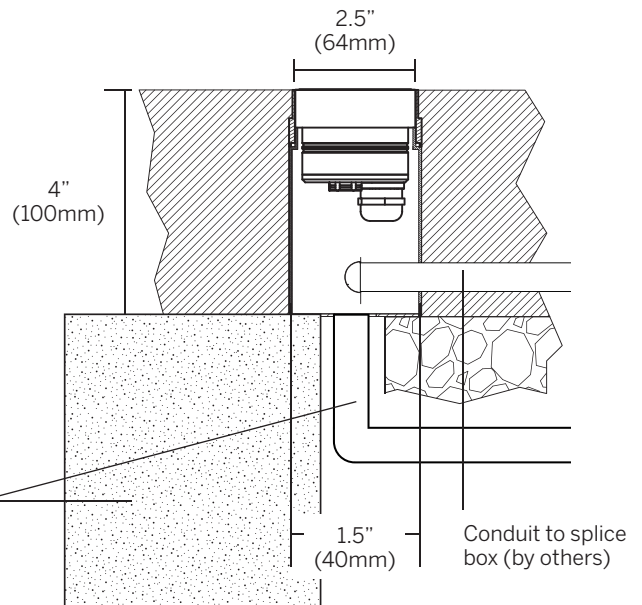


Floor - Concrete / Tiles

Concrete Installation Housing (RD60C)
 (trim shown)



Tiles/Wood Installation housing (RD60T)
 (trimless shown)



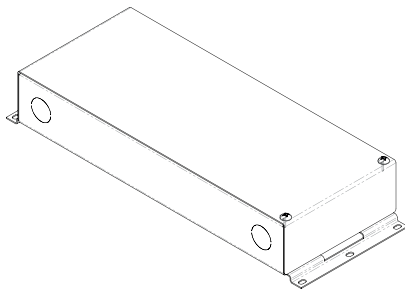
Single Color Drivers

Qty.	Part Number	Description	Case	Nominal Input Voltage (V)	Nominal Input Current (A)	Power Factor	Output Power Range (W)	Dimming Mode	Dimming Control	Dimming Range	Location Rating
	OT96-D010	Osram 0-10V dim	1	120 277	0.97 0.39	0.9	1-96	PWM	0-10V	10 -100%	Dry

The installer and/or end user must take precautions to prevent and/or test the effects of EMI (electromagnetic interference). Maximum recommended load is 80% of driver rating.

Case 1

Case dimensions



13.25" (L) x 5" (W) x 2.25" (H) surface mount in any orientation

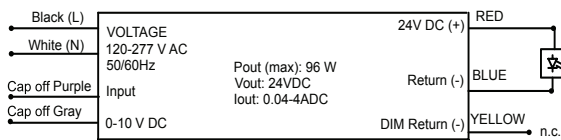
Maximum wiring distance*

Wire gauge	Load per driver	
	Osram	
	≤48W	≤72W
#18AWG	28'	18'
#16AWG	44'	29'
#14AWG	71'	47'
#12AWG	133'	75'
#10AWG	180'	120'

*Voltage drop guide for 24VDC. Actual Voltage drop to be calculated by installer

96W Non-Dim

Wiring diagrams



96W Dim

