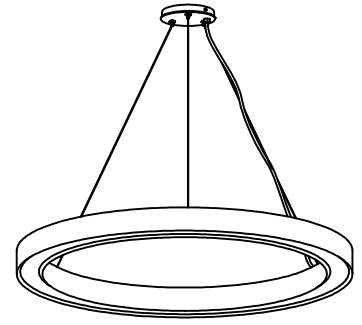
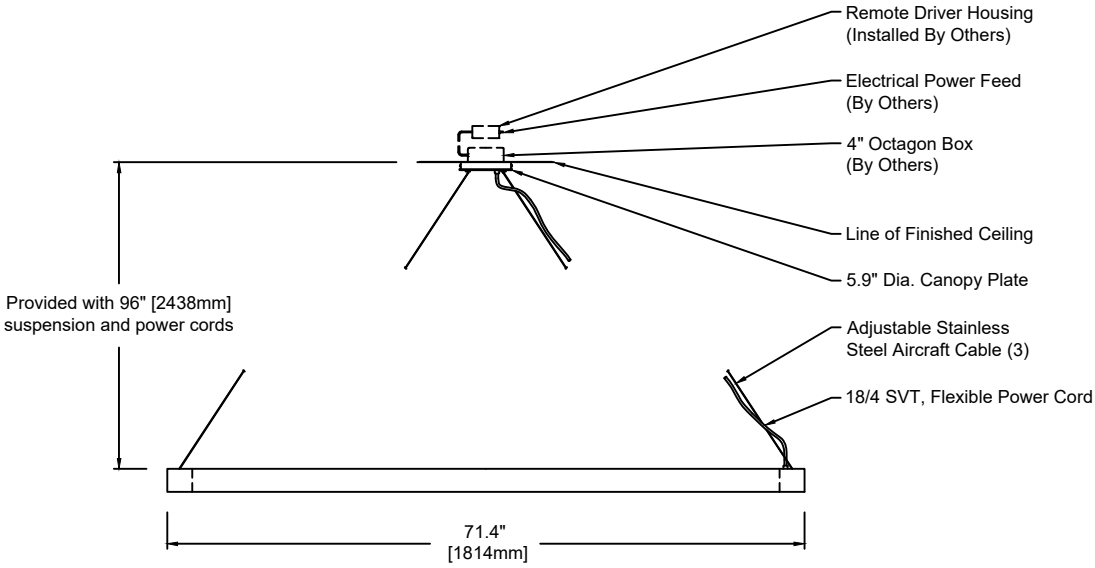
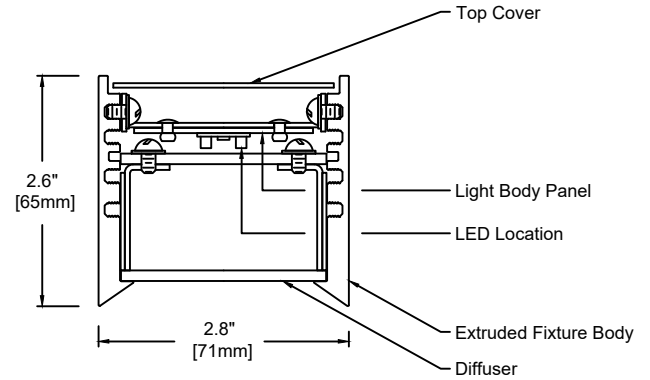
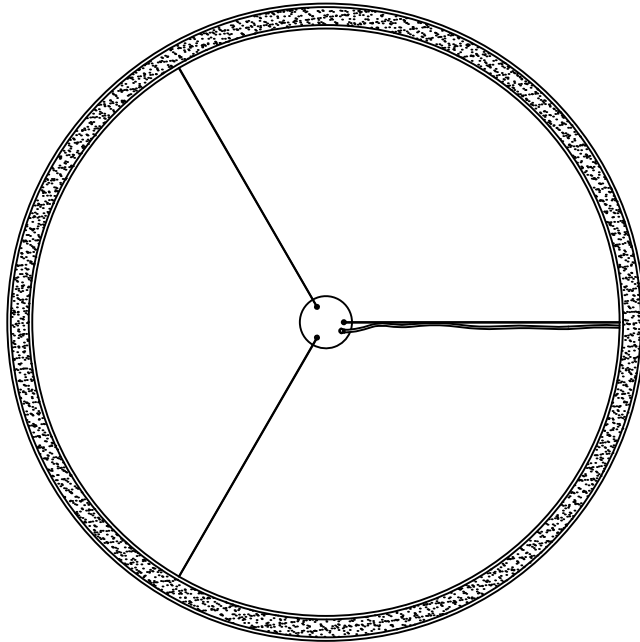


# Ring D

## TECHNICAL SHEET



**PERSPECTIVE VIEW**



**Cross Section**

Scale: N.T.S.

Drawing 1 of 2

Fixture Weight : 33 lbs

1691	P	72	M	830	U	S	SW	19	CE - CC
<b>Model</b>	<b>Type</b>	<b>Size</b>	<b>Wattage</b>	<b>Color Temp</b>	<b>Voltage</b>	<b>Control</b>	<b>Diffuser</b>	<b>Finish</b>	<b>Options</b>
P - Pendant	72"	L M RGB	827 - 2,700K 830 - 3,000K 835 - 3,500K 840 - 4,000K RGB - RGB	1 - 120 VAC only U - 120/277 V	S D010 DFPN L3DAE L3D0E DMX	SW - Satin Opal Acrylic	19 - Painted Anodized Aluminum - RAL 9006 Matte 21 - Painted White - RAL 9010 Matte 26 - Painted Black - RAL 9005 Matte 22 - Painted Custom Color	CE - Center Canopy CC - Clear Insulated Cable (Standard) WC - White Cable BC - Black Cable	

**Wattage and Control**

Control (Remote 24V):  
S - Non-Dim  
D010 - 0-10V 10%  
DFPN - Lutron Forward Phase 1%, 120VAC  
L3DAE - Lutron Hi-Lume 1% EcoSystem  
L3D0E - Lutron Hi-Lume Premier 0.1% EcoSystem  
DMX - DMX Dimming

Wattage "L" - 54 Watt  
2,700K - 7,200 lm  
3,000K - 7,200 lm  
3,500K - 7,488 lm  
4,000K - 7,632 lm

Wattage "M" - 108 Watt  
2,700K - 13,374 lm  
3,000K - 13,374 lm  
3,500K - 13,932 lm  
4,000K - 14,202 lm

Technical Data:  
Form - linear, Operating voltage: 24VDC  
Color rendering index Ra min: 82 CRI, Available in 90 CRI  
Viewing angle: 110°  
Lifetime - L70: 60,000h  
Working temperature: -20°C to 60°C (-4°F to 140°F)

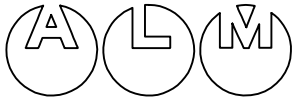
Wattage "RGB" - 195 Watt / 5,076 lm

Technical Data for RGB:  
Form - tape, Operating voltage: 24VDC  
Viewing angle: 120°  
Lifetime - L70: 50,000h  
Working temperature: -30°C to 75°C (-22°F to 167°F)

Remote Drivers:  
Max. wiring distance / Load

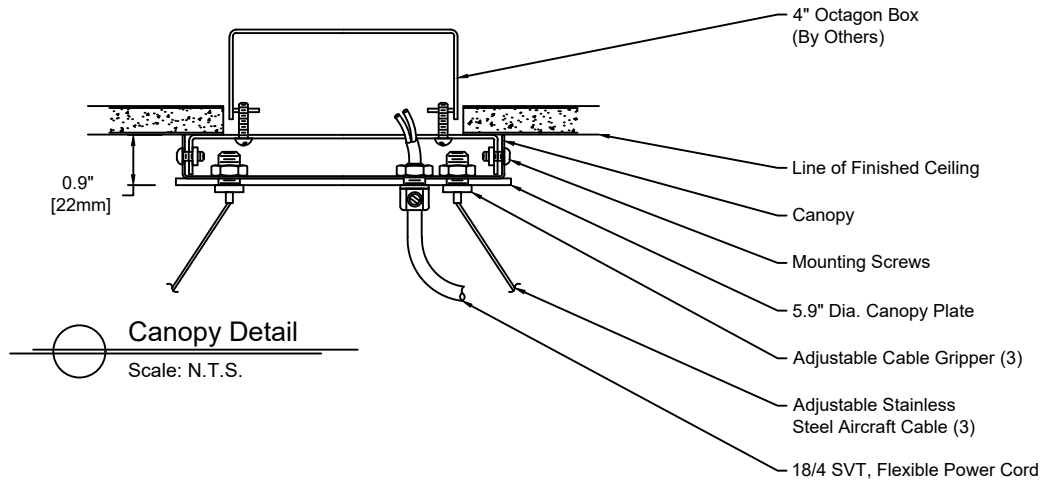
	Osram	≤96W	≤40W	≤96W
	Lutron	≤72W	≤25'	≤40W
Wire Gauge	≤48W	≤72W	≤96W	≤40W
#18AWG	37'	25'	18'	15'
#16AWG	59'	39'	29'	25'
#14AWG	95'	63'	47'	40'





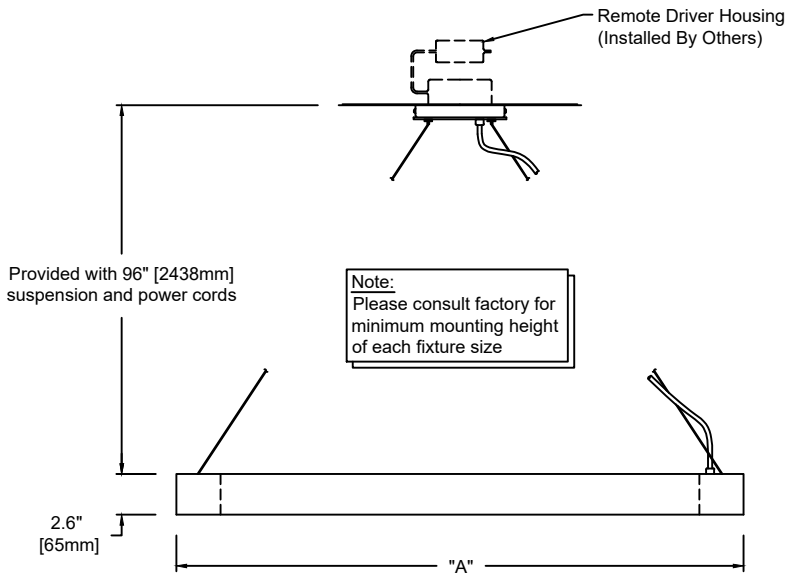
# Ring D

## TECHNICAL SHEET

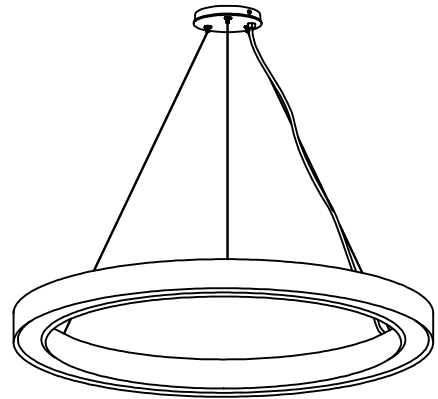


**Canopy Detail**  
Scale: N.T.S.

**Note:**  
Canopy finish matches housing



**Note:**  
Please consult factory for minimum mounting height of each fixture size



**Center Canopy Mounting**  
Scale: N.T.S.

Drawing 2 of 2

Series: 1691

Wire Gauge	Osram			Lutron	
	≤48W	≤72W	≤96W	≤40W	≤96W
#18AWG	37'	25'	18'	15'	25'
#16AWG	59'	39'	29'	25'	40'
#14AWG	95'	63'	47'	40'	60'