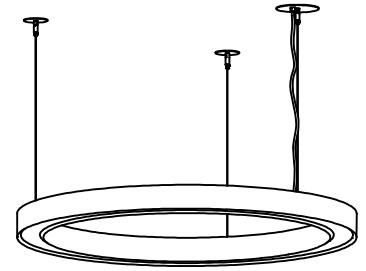
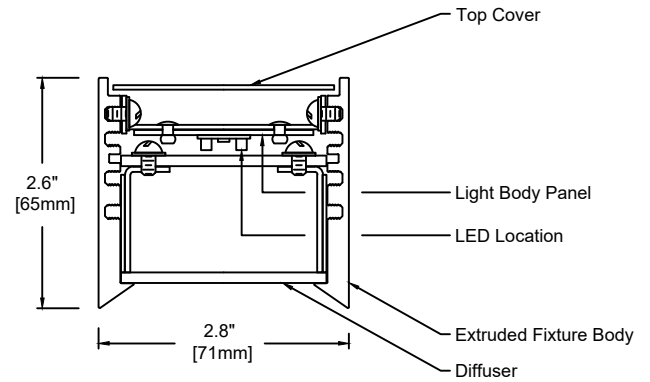
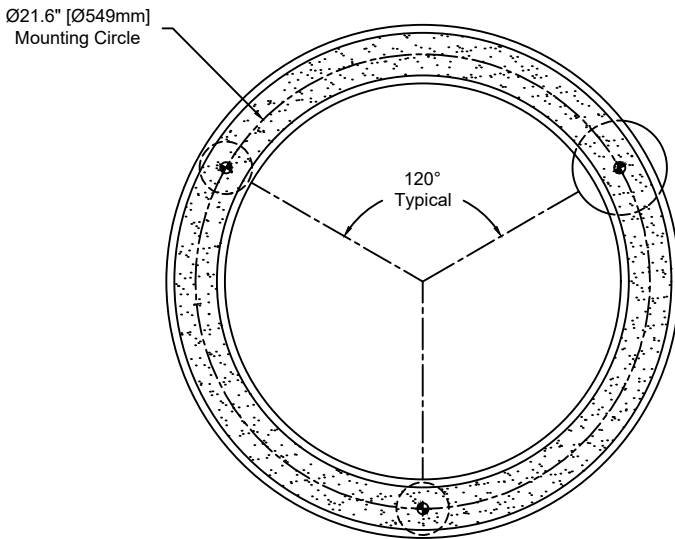
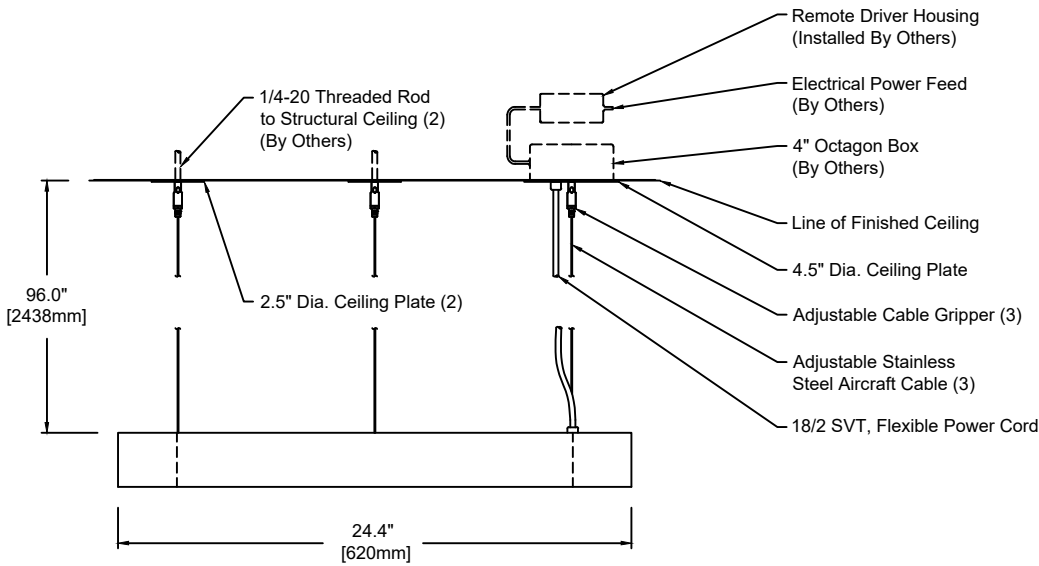


Ring D

TECHNICAL SHEET



PERSPECTIVE VIEW



Cross Section

Scale: N.T.S.

Drawing 1 of 2

Fixture Weight : 11 lbs

1691	P	24	M	830	U	S	SW	19	SC - CC
Model	Type	Size	Wattage	Color Temp	Voltage	Control	Diffuser	Finish	Options
	P - Pendant	24"	L M RGB	827 - 2,700K 830 - 3,000K 835 - 3,500K 840 - 4,000K RGB - RGB	1 - 120 VAC only U - 120/277 V	S D010 DFPN L3DAE L3D0E DMX	SW - Satin Opal Acrylic	19 - Painted Anodized Aluminum - RAL 9006 Matte 21 - Painted White - RAL 9010 Matte 26 - Painted Black - RAL 9005 Matte 22 - Painted Custom Color	SC - Straight Cables CC - Clear Insulated Cable (Standard) WC - White Cable BC - Black Cable

Wattage and Control

Control (Remote 24V):
S - Non-Dim
D010 - 0-10V 10%
DFPN - Lutron Forward Phase 1%, 120VAC
L3DAE - Lutron Hi-Lume 1% EcoSystem
L3D0E - Lutron Hi-Lume Premier 0.1% EcoSystem
DMX - DMX Dimming

Wattage "L" - 17 Watt
2,700K - 2,267 lm
3,000K - 2,267 lm
3,500K - 2,358 lm
4,000K - 2,403 lm

Wattage "M" - 34 Watt
2,700K - 4,211 lm
3,000K - 4,211 lm
3,500K - 4,386 lm
4,000K - 4,471 lm

Technical Data:
Form - linear, Operating voltage: 24VDC
Color rendering index Ra min: 82 CRI, Available in 90 CRI
Viewing angle: 110°
Lifetime - L70: 60,000h
Working temperature: -20°C to 60°C (-4°F to 140°F)

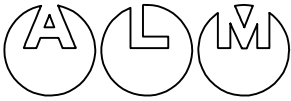
Wattage "RGB" - 60 Watt / 1,551 lm

Technical Data for RGB:
Form - tape, Operating voltage: 24VDC
Viewing angle: 120°
Lifetime - L70: 50,000h
Working temperature: -30°C to 75°C (-22°F to 167°F)

Remote Drivers:
Max. wiring distance / Load

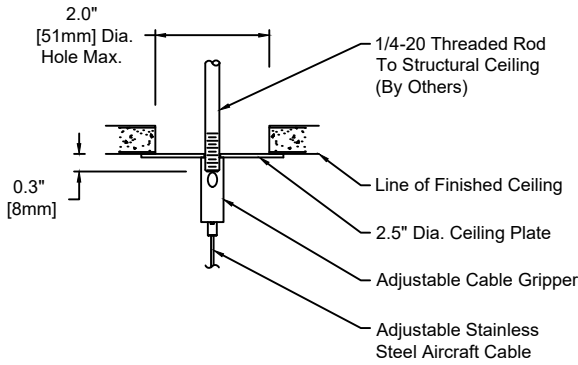
Wire Gauge	Osram		Lutron	
	≤48W	≤72W	≤96W	≤40W ≤96W
#18AWG	37'	25'	18'	15' 25'
#16AWG	59'	39'	29'	25' 40'
#14AWG	95'	63'	47'	40' 60'



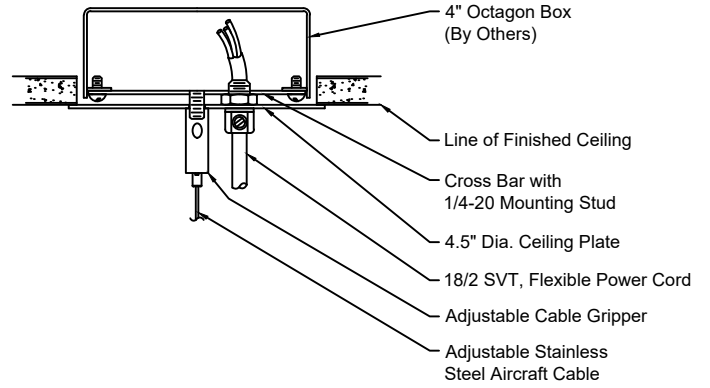


Ring D

TECHNICAL SHEET

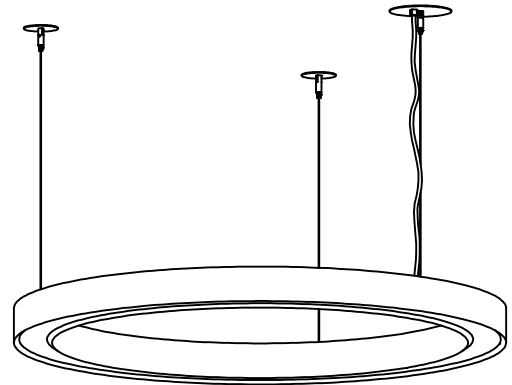
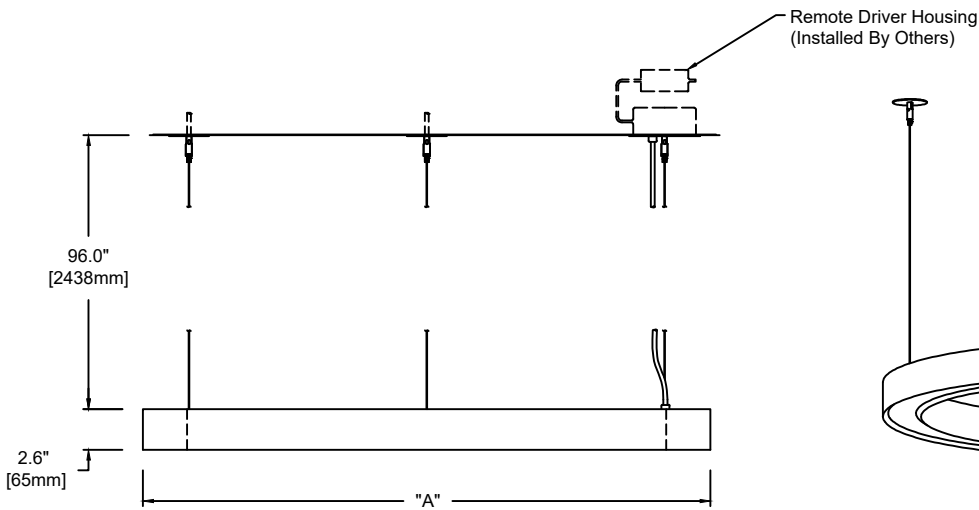


Ceiling Plate Detail - Typ. (2)
Scale: N.T.S.



Ceiling Plate - Octagon Box Detail
Scale: N.T.S.

Note:
Ceiling plate finish matches housing



Straight Cables Mounting
Scale: N.T.S.

Drawing 2 of 2

Series: 1691

Wire Gauge	Osram			Lutron	
	≤48W	≤72W	≤96W	≤40W	≤96W
#18AWG	37'	25'	18'	15'	25'
#16AWG	59'	39'	29'	25'	40'
#14AWG	95'	63'	47'	40'	60'