

# 20 Linear Suspended LED

## Specifications



### Ordering Information

Model	Type	Length	LED <sup>1</sup>	Color <sup>2</sup>	Voltage	Power <sup>3</sup>	Diffuser	Mount	Options
WG-S20LDL	S								
WG-S20LDL	S	24 36 48 60 72 84 96	L M	827 830 835 840 927 930 935 940	UNV       120	S D010 D3W DES  DFPN	OD (std) SD	S48 S96	

### Luminaire

- Evenly illuminated snap-in lens without visible LED pattern.
- Standard Opal Diffuser for even illumination and no LED appearance. Satin Diffuser for high efficiency and minimal LED appearance.
- Field replaceable LED boards.
- 80+ CRI, 3 steps MacAdam.
- Powder coat painted white - RAL 9010.
- 48" suspension cable standard (S48).

### Type

- S = Straight run (individual fixtures only, for other configurations see WG-S20LDL)

### Length

- 24 = 24"
- 36 = 36"
- 48 = 48"
- 60 = 60"
- 72 = 72"
- 84 = 84"
- 96 = 96"

### LED<sup>1</sup>

- L = Low Power (3.2W/ft)
- M = Mid Power (6.4W/ft)

### Color / Lumens<sup>2</sup>

80+ CRI minimum (Low/Mid)

- 827 = 2700K (316/534 lm/ft)
- 830 = 3000K (343/579 lm/ft)
- 835 = 3500K (343/579 lm/ft)
- 840 = 4000K (355/601 lm/ft)
- For 90+ CRI specify 927, 930, etc.

### Voltage

- UNV = 120 - 277V
- 120 = 120V (DFPN only)

### Power Supply (remote)<sup>3</sup>

- S = standard driver 120-277V
- D010 = 10%, 0-10V dimming, 120-277V
- D3W = Lutron, 1%, 3-wire dimming, 120-277V
- DES = Lutron, 1%, EcoSystem E1/E2 digital dimming, 120-277V
- DFPN = Lutron 1% forward phase with neutral, 120V only

### Diffuser

- OD = Opal diffuser (standard)
- SD = Satin diffuser

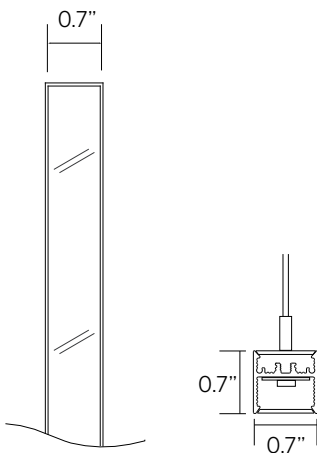
### Mounting

- S48 = 48" suspension cable standard
- S96 = 96" suspension cable, field-cuttable

### Options

- Contact factory for emergency lighting options

- 1 Wattage shown does not include power supplies/drivers.
- 2 Delivered lumens with satin diffuser shown. Lumens for CRI 90(+), are about 16% lower compared to standard CRI 80(+).
- 3 Remote power supply required. See power supply page for details.



Straight  
A

# 20 Linear Suspended LED

## Dimensions

