



WARNING:
INSTALL PRODUCT IN ACCORDANCE WITH LOCAL AND NATIONAL ELECTRICAL CODES BY A QUALIFIED ELECTRICIAN.



WARNING:
FAILURE TO COMPLY WITH THE INSTALLATION INSTRUCTIONS MAY RESULT IN DEATH OR SERIOUS INJURY



WARNING:
READ ALL SAFETY INSTRUCTIONS INCLUDED WITH LUMINAIRE BEFORE INSTALLING LUMINAIRE AND SAVE INSTRUCTIONS FOR FUTURE USE.

CAUTION:

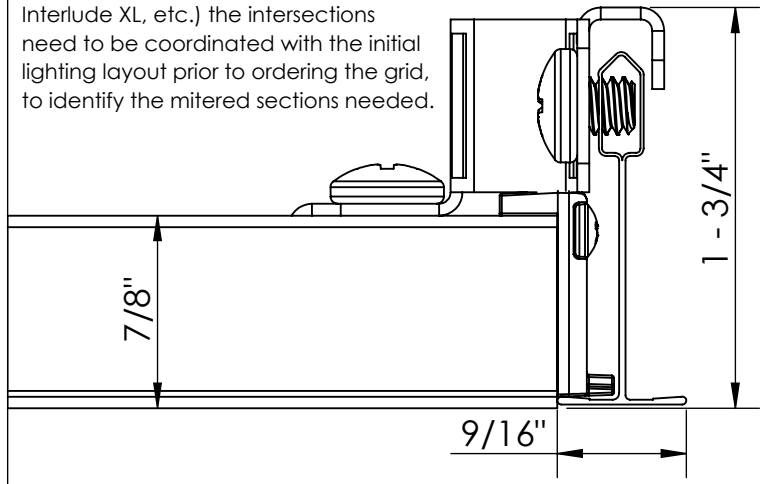
THIS IS AN ELECTRONIC DEVICE. CARE MUST BE TAKEN DURING STORAGE AND HANDLING. STORE IN A CLEAN, COOL AND DRY LOCATION. ELECTROSTATIC DISCHARGE (ESD) CAN HARM THIS PRODUCT. AVOID STATIC DISCHARGE WHILE HANDLING THIS PRODUCT.

CAUTION:

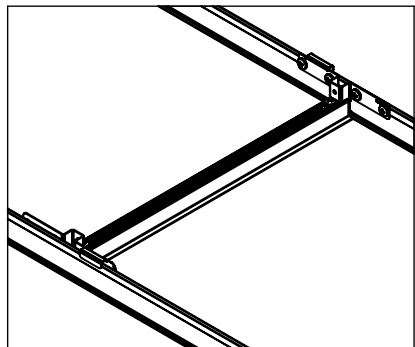
INTER-LUX IS NOT RESPONSIBLE FOR THE STRUCTURAL INTEGRITY OF THE BUILDING TO SUPPORT THE LUMINAIRE. ADDITIONAL BACKING MAY BE REQUIRED.

MOUNTING DIMENSIONS

*Designed for 9/16" and 15/16" grid ceilings. For specialty grids (Silhouette bolt slot, Interlude XL, etc.) the intersections need to be coordinated with the initial lighting layout prior to ordering the grid, to identify the mitered sections needed.



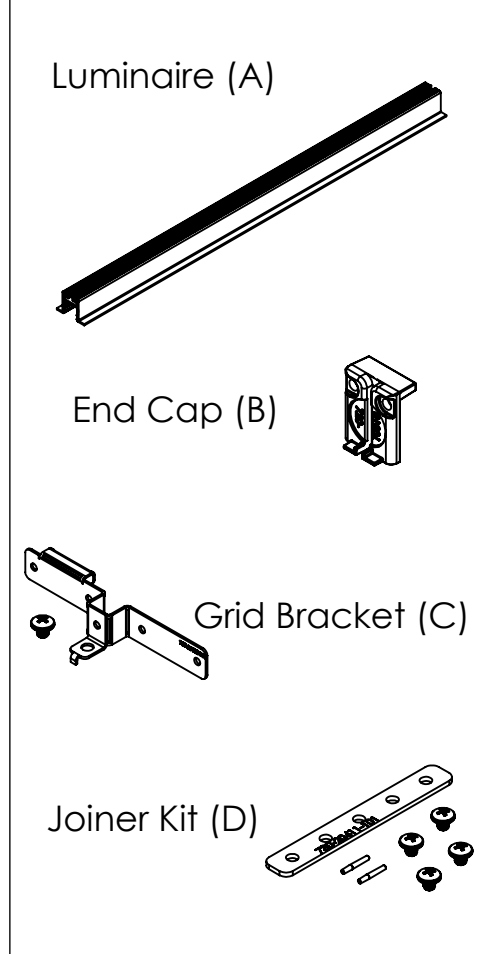
ISOMETRIC VIEW



RENDERING



PACKAGE INCLUDES: (refer to package list to identify parts)



ITEMS NEEDED (SUPPLIED BY OTHERS):

Phillips Head #2 and #3 Screwdrivers

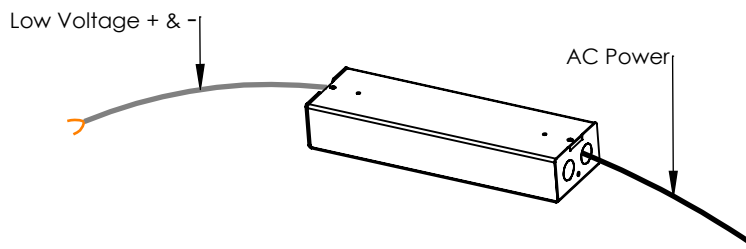
Wire Strippers

Mounting Screws #8 self tapping screws recommended

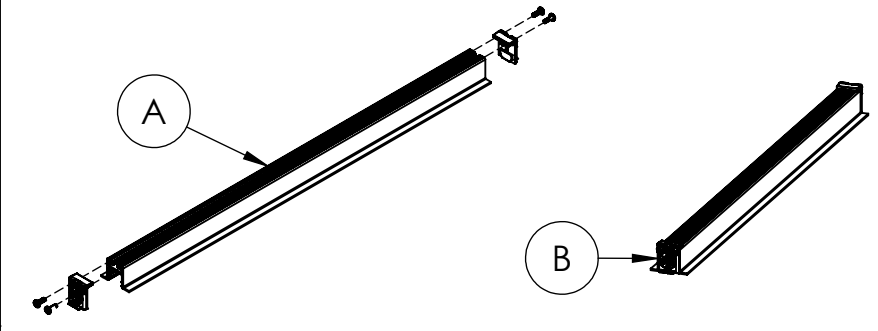
INSTALLATION INSTRUCTIONS

LOCATE AND REVIEW ANY CONSTRUCTION PLANS AND INTERLUX RECORD DRAWINGS FOR ALL FIXTURE RUNS. It is recommended to locate and lay out all components for each fixture "run". A fixture run typically consist of joiners, lengths of housings, and endcaps. BE SURE TO IDENTIFY ALL CORRECT LENGTHS FOR EACH FIXTURE RUN.

Step 1; Remote Drivers: Turn off Power before Installing. Install Remote Drivers, make connections to AC power and Low Voltage cables. Then run Low Voltage cables to desired position of fixtures.

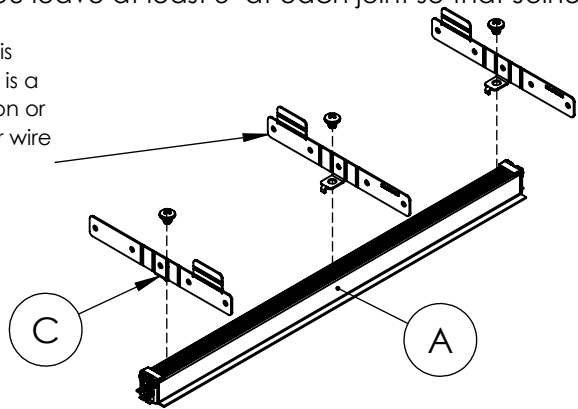


Step 2; Install End Caps: If your order is comprised of standalone fixtures, they will come with End Caps (C) pre-installed. If it is a continuous run, you will need to install the provided End Caps (C) in the field, at the end of each run.

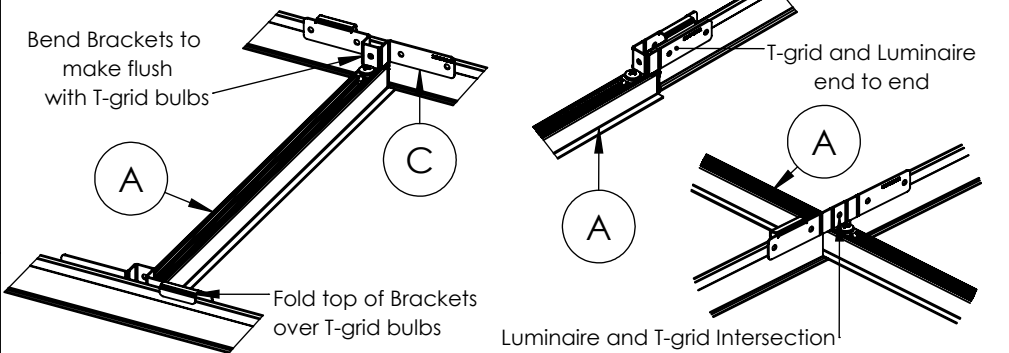


Step 3; Install Grid Brackets: For stand alones, secure Grid Brackets (C) to Luminaire (A), at most 1/2" from ends, using provided screws. For continuous runs, ensure you leave at least 3" at each joint so that Joiners can be installed.

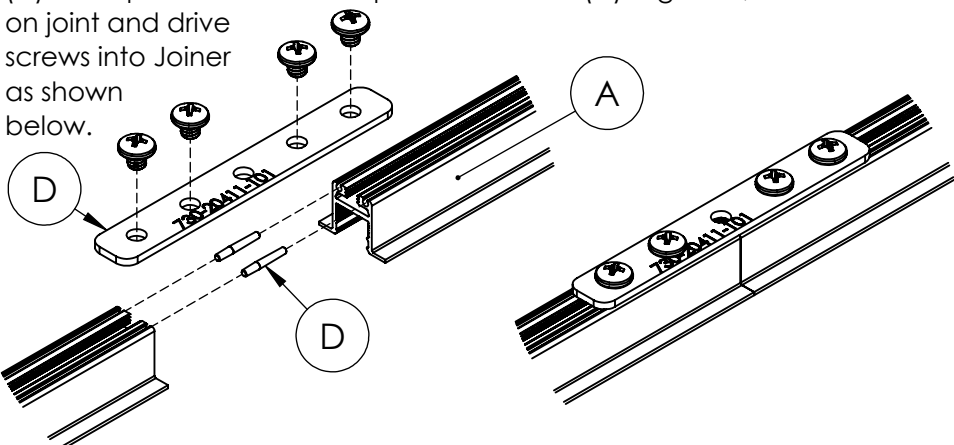
Middle Bracket is installed if there is a T-grid intersection or another Hangar wire is needed.



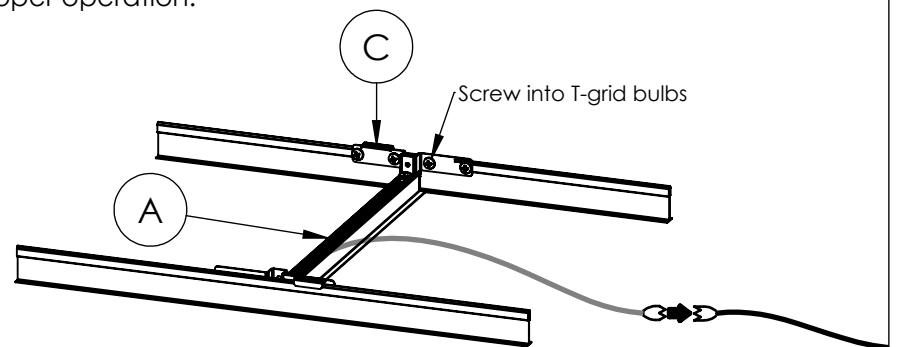
Step 4; Align fixtures with T-grid: Grid Brackets (C) can fold to meet many different grid layouts. Align Luminaire (A) with T-grid configuration and rest End Caps (B) on the T-grid if possible. Install Joiners (D) (Step 5) as you install a run. Then bend brackets so that they are flush with T-grid bulbs. Once flush, fold top of Brackets over bulbs of T-grid.



Step 5; Install Joiners: If your order consists of stand alone fixtures, skip this step. If not, connect Luminaires (A) to each other using supplied Joiner Kits (D). Slide pins into holes and push Luminaires (A) together, then center Joiner on joint and drive screws into Joiner as shown below.



Step 6; Screw into Bulb, Connect to Power: Drive screws through Grid Brackets (C) and into T-grid bulbs. Then connect Luminaire (A) wires to Low Voltage cables using supplied connectors. Finally power and test Luminaire (A) for proper operation.



WARNING:
INSTALL PRODUCT IN ACCORDANCE WITH LOCAL AND NATIONAL ELECTRICAL CODES BY A QUALIFIED ELECTRICIAN.

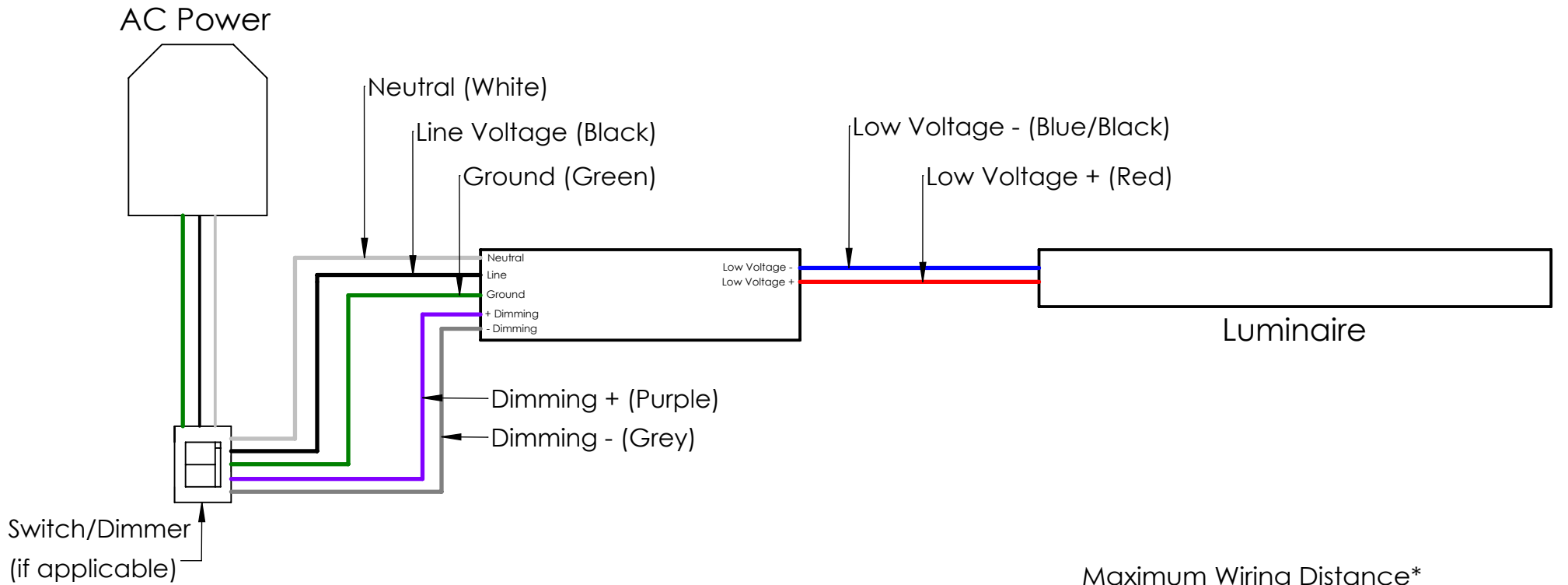
WARNING:
FAILURE TO COMPLY WITH THE INSTALLATION INSTRUCTIONS MAY RESULT IN DEATH OR SERIOUS INJURY.

WARNING:
READ ALL SAFETY INSTRUCTIONS INCLUDED WITH LUMINAIRE BEFORE INSTALLING LUMINAIRE. SAVE INSTRUCTIONS FOR FUTURE USE.

CAUTION:
THIS IS AN ELECTRONIC DEVICE. CARE MUST BE TAKEN DURING STORAGE AND HANDLING. STORE IN A CLEAN, COOL AND DRY LOCATION. ELECTROSTATIC DISCHARGE (ESD) CAN HARM THIS PRODUCT. AVOID STATIC DISCHARGE WHILE HANDLING THIS PRODUCT.

CAUTION:
INTER-LUX IS NOT RESPONSIBLE FOR THE STRUCTURAL INTEGRITY OF THE BUILDING TO SUPPORT THE LUMINAIRE. ADDITIONAL BACKING MAY BE REQUIRED.

Wiring Key



Red	Blue/Black	Green	Black	White	Purple	Grey
Positive	Negative	Ground	Line	Neutral	Dimming +	Dimming -

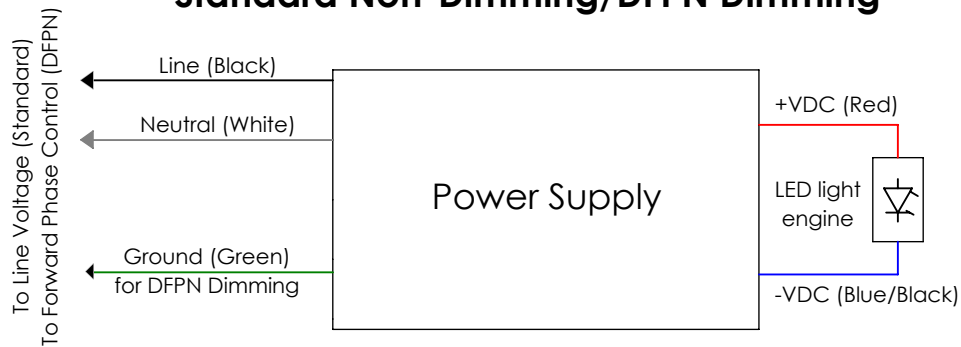
Maximum Wiring Distance*

Wire Gauge	Maximum Lead Length			
	Osram		Lutron	
	≤ 48W	≤ 72W	≤ 96W	≤ 40W
#18AWG	37'	25'	18'	15'
#16AWG	59'	39'	29'	25'
#14AWG	95'	63'	47'	40'
#12AWG	151'	101'	75'	60'

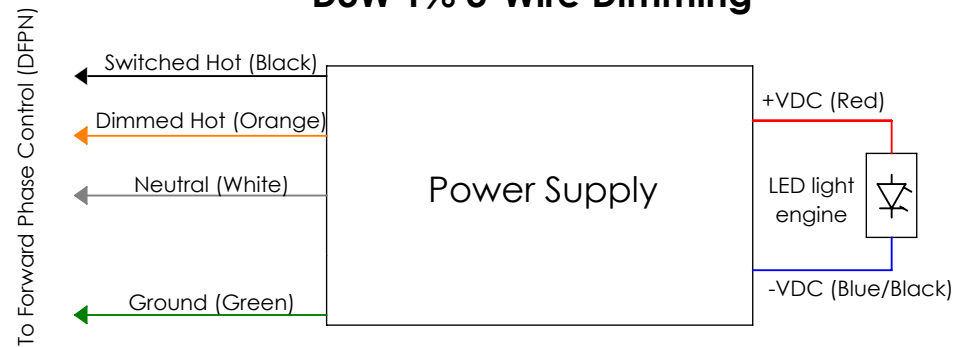
*Actual Voltage drop to be calculated by installer

Driver Wiring Diagrams

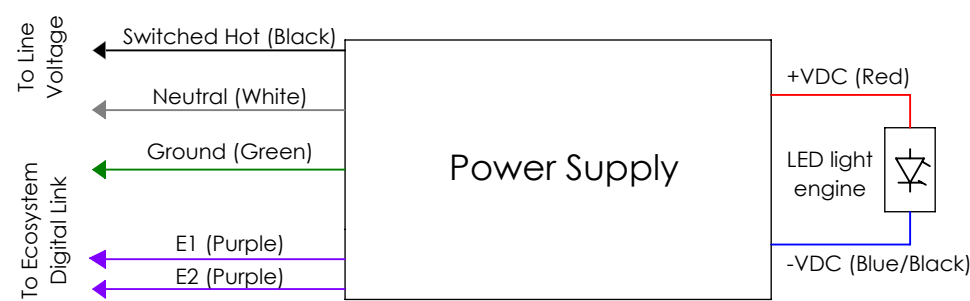
Standard Non-Dimming/DFPN Dimming



D3W 1% 3-Wire Dimming



L3DAE 1%/L3D0E 0.1% Dimming



0-10V Dimming



NOTE: ALL SHOWN DRIVERS ARE INTER-LUX PROVIDED. FOR NON INTER-LUX PROVIDED DRIVERS PLEASE REFER TO DRIVER MANUFACTURERS. THE USE OF NON INTER-LUX PROVIDED DRIVERS VOIDS PRODUCT WARRANTY.