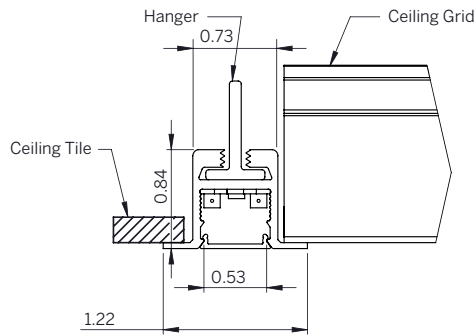




Ordering Information									
Model	Type	Length	LED ²	Color	Voltage	Power	Diffuser	Mount	Options
WG-B20LDL	S								
WG-B20LDL	S	A	L M	827 830 835 840 927 930 935 940	UNV 120	S D010 D3W DES DFPN	OD SD	HC G9 G15 GS	C4 C10 C20 C30 WL



Luminaire

- Continuous, evenly illuminated snap-in lens without visible LED pattern
- Standard Opal Diffuser for even illumination, Satin Diffuser for high efficiency and minimal LED appearance
- Field replaceable LED boards
- 80+ CRI, 3 steps MacAdam
- Lengths and angles factory cut to exact field dimensions
- Standard and custom corners
- Powder coat painted white - RAL 9010
- 4' class 2 plenum rated feed cable standard

Type

- S = Straight run

Length

- A, B, C = specify feet & inches to the nearest 0.25" (i.e. 6' 5.5")

LED²

- L = Low Power (3.2W/ft)
- M = Mid Power (6.4W/ft)

Color

- 80+ CRI minimum
- 827 = 2700K
- 830 = 3000K
- 835 = 3500K
- 840 = 4000K
- For 90+ CRI specify 927, 930, etc

Voltage

- UNV = 120 - 277V
- 120 = 120V (DFPN only)

Power Supply (remote)

- S = standard driver 120-277V
- D010 = Osram, 10%, 0-10V dimming, 120-277V
- D3W = Lutron, 1%, 3-wire fluorescent dimming, 120-277V
- DES = Lutron, 1%, EcoSystem E1/E2 digital dimming, 120-277V
- DFPN = Lutron 1% forward phase with neutral, 120V only

Diffuser

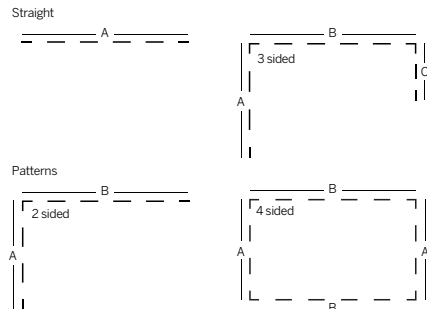
- OD = Opal diffuser (standard)
- SD = Satin diffuser

Mounting

- P = plaster-in

Options

- C10 = 10' tray cable (plenum rated)
- C20 = 20' tray cable (plenum rated)
- C30 = 30' tray cable (plenum rated)
- WL = wet location (protected ceiling applications)
- Contact factory for emergency lighting options



Customer Approval		Company _____
<input type="checkbox"/> Approved		Signature _____
<input type="checkbox"/> Approved with corrections noted		Print Name _____
<input type="checkbox"/> Revise and Resubmit		Date _____

Original Date Submitted _____

1 See pattern specsheet.
2 Wattage shown does not include power supplies/drivers.

20 Linear Bezel

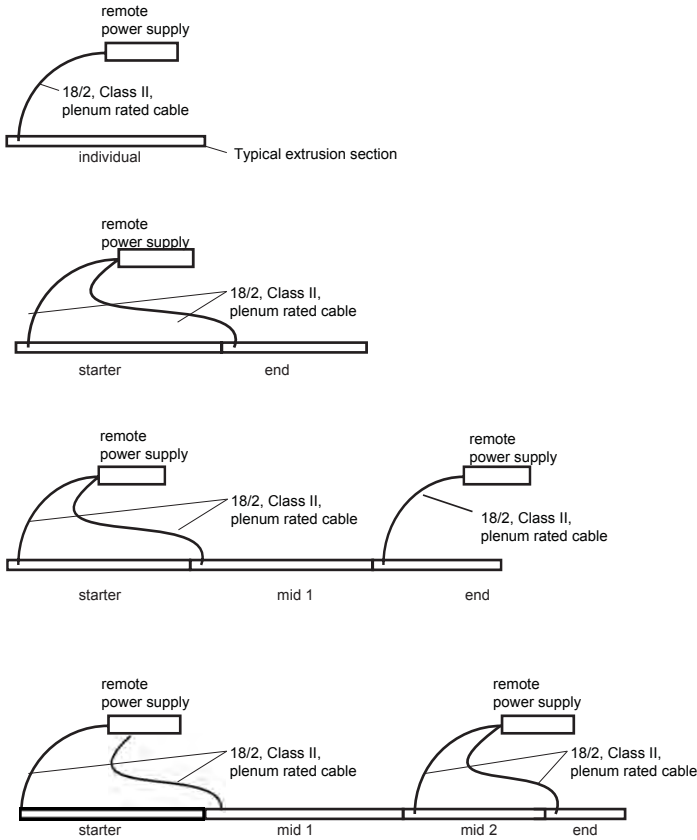
Submittal Straight Run

inter•lux

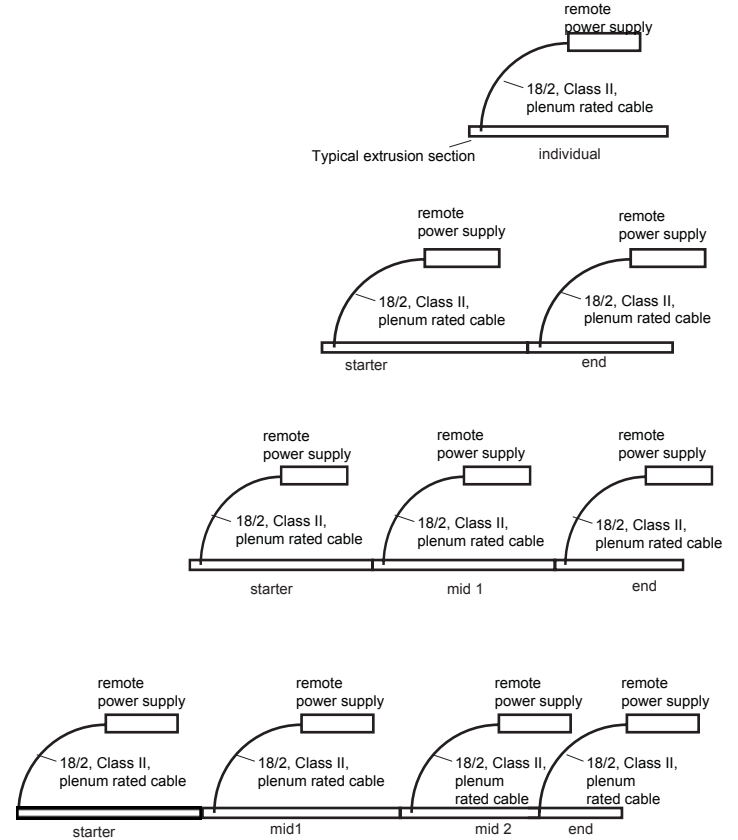
Project Name _____ SO # _____

Fixture Type _____ PO# _____

Typical Non-Dim or 0-10V Dimming System Layout



Typical Lutron Dimming System Layout



Non-Dimming and 0-10V Dimming Systems:

1. 96.25" maximum extrusion length.
2. 96W, 24V, constant voltage power supply (12ft max. length 6 W/ft, 24ft max. 3 W/ft per driver)

Lutron Dimming Systems:

1. 72" maximum extrusion length at 6 W/ft, 96" maximum extrusion length at 3 W/ft.
2. 40W, 24V, constant voltage power supply (5ft max. length 6 W/ft, 10ft max. 3 W/ft per driver)

General Notes for all system types:

1. End caps supplied in kits to be field installed at the end of each fixture.
2. Starters and Mid 1 extrusion sections are supplied with maximum lengths for long linear systems.
3. End extrusion sections have custom tailored length between 23.8" - 96.25" to obtain the overall system length.
4. When an End is calculated to be less than 23.8", a Mid 2 extrusion added to the system to split the length into manageable sizes.
5. Class II, plenum rated cable supplied hardwired to extrusion section, 4 ft length standard. Longer lengths available (specify when ordering)

20 Linear Bezel

Submittal Straight Run



Project Name _____ SO # _____

Fixture Type _____ PO# _____

System	Qty.	'A'
1	_____	_____
2	_____	_____
3	_____	_____
4	_____	_____
5	_____	_____
6	_____	_____
7	_____	_____
8	_____	_____
9	_____	_____
10	_____	_____
11	_____	_____
12	_____	_____
13	_____	_____
14	_____	_____
15	_____	_____

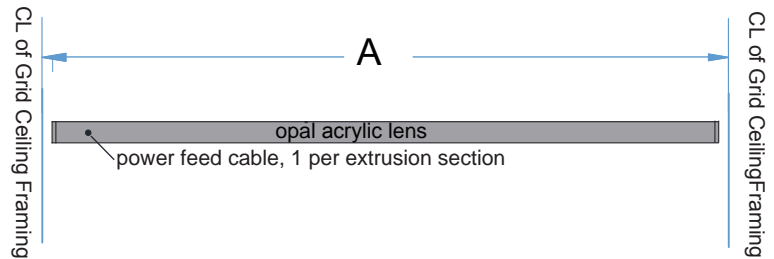
Customer Approval Company _____

Approved Signature _____

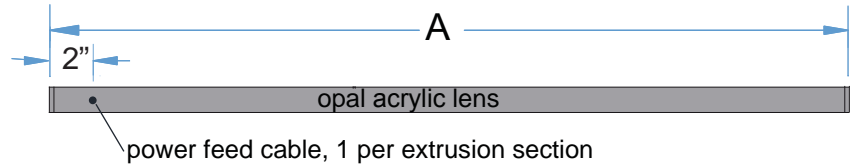
Approved with corrections noted Print Name _____

Revise and Resubmit Date _____

Grid Ceiling Application Measurement (G15 & G9)



Hard Ceiling Application Measurement (HC)



Note:
 Power feed is required for each extrusion section.
 Refer to page 2 for wiring diagrams and additional information to layout a typical linear system.