



**WARNING:**

INSTALL PRODUCT IN ACCORDANCE WITH LOCAL AND NATIONAL ELECTRICAL CODES BY A QUALIFIED ELECTRICIAN.



**WARNING:**

FAILURE TO COMPLY WITH THE INSTALLATION INSTRUCTIONS MAY RESULT IN DEATH OR SERIOUS INJURY.



**WARNING:**

READ ALL SAFETY INSTRUCTIONS INCLUDED WITH LUMINAIRE BEFORE INSTALLING LUMINAIRE. SAVE INSTRUCTIONS FOR FUTURE USE.

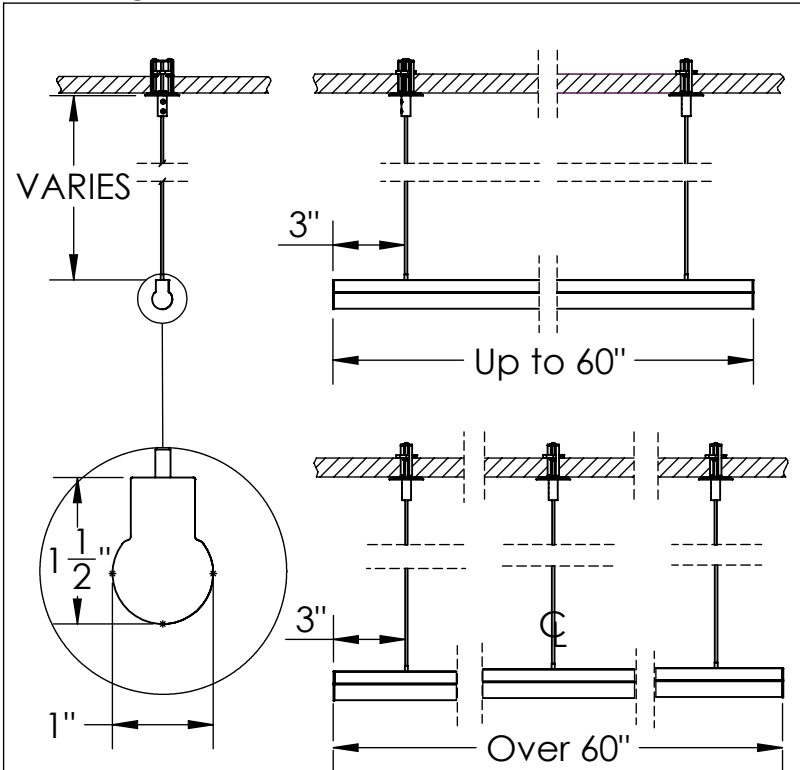
**CAUTION:**

THIS IS AN ELECTRONIC DEVICE. CARE MUST BE TAKEN DURING STORAGE AND HANDLING. STORE IN A CLEAN, COOL AND DRY LOCATION. ELECTROSTATIC DISCHARGE (ESD) CAN HARM THIS PRODUCT. AVOID STATIC DISCHARGE WHILE HANDLING THIS PRODUCT.

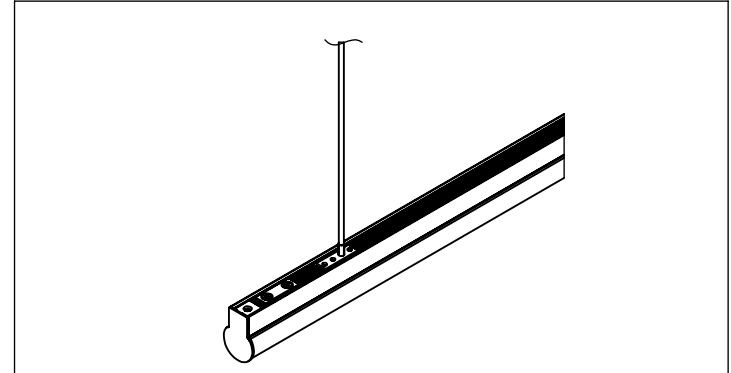
**CAUTION:**

INTER-LUX IS NOT RESPONSIBLE FOR THE STRUCTURAL INTEGRITY OF THE BUILDING TO SUPPORT THE LUMINAIRE. ADDITIONAL BACKING MAY BE REQUIRED.

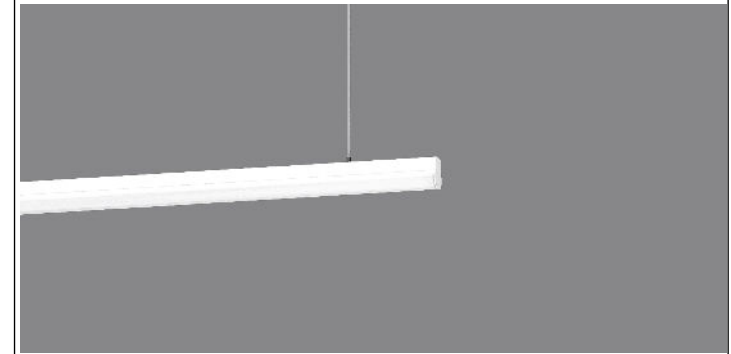
### Mounting Dimensions



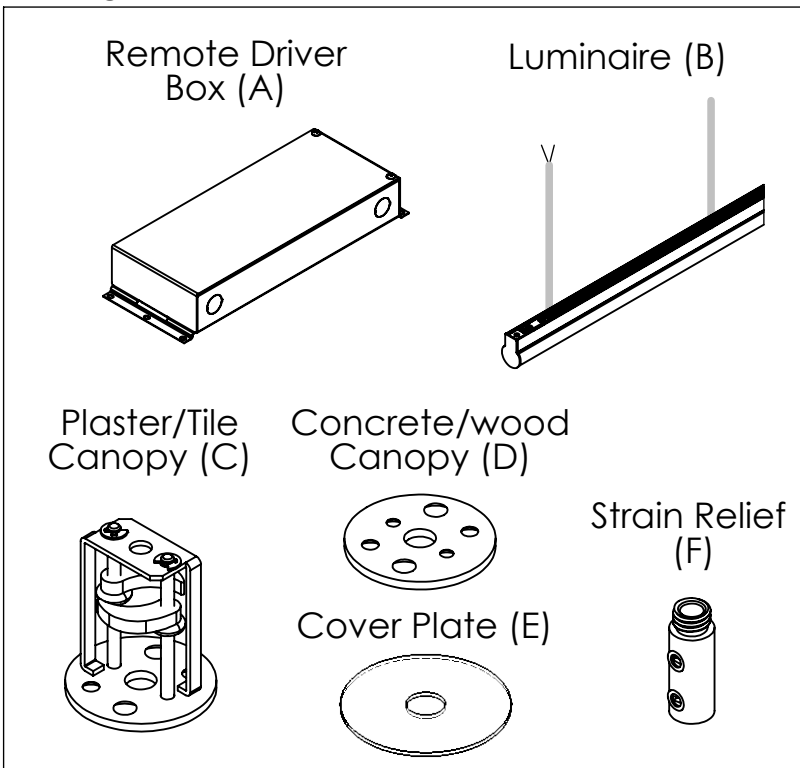
### Isometric View



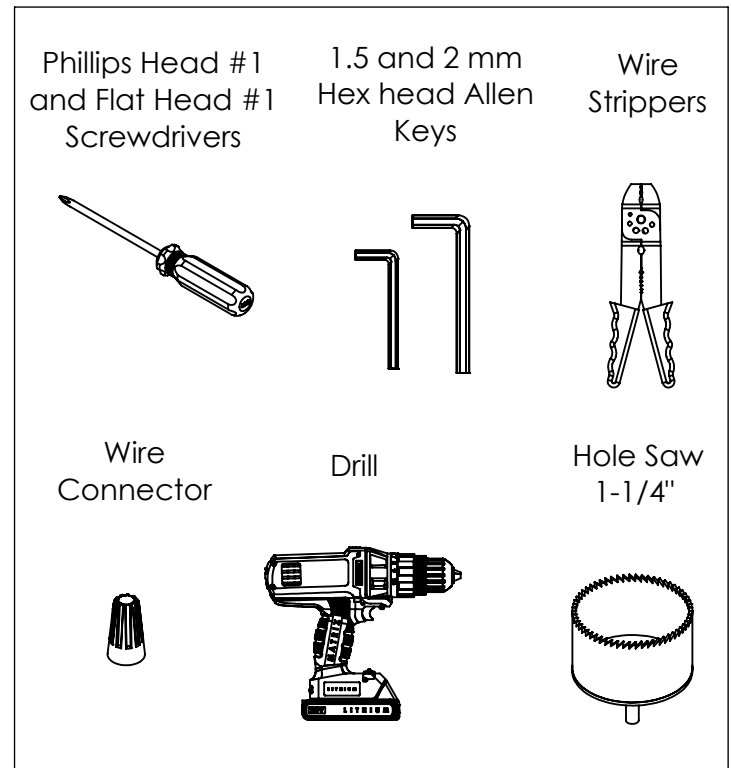
### Photo Rendering



### Package Includes:



### Items needed (supplied by others)





**WARNING:**  
INSTALL PRODUCT IN ACCORDANCE  
WITH LOCAL AND NATIONAL ELECTRICAL  
CODES BY A QUALIFIED ELECTRICIAN.



**WARNING:**  
FAILURE TO COMPLY WITH THE  
INSTALLATION INSTRUCTIONS MAY  
RESULT IN DEATH OR SERIOUS INJURY.



**WARNING:**  
READ ALL SAFETY INSTRUCTIONS  
INCLUDED WITH LUMINAIRE BEFORE  
INSTALLING LUMINAIRE. SAVE  
INSTRUCTIONS FOR FUTURE USE.

**CAUTION:**

THIS IS AN ELECTRONIC DEVICE. CARE MUST BE TAKEN  
DURING STORAGE AND HANDLING. STORE IN A CLEAN, COOL  
AND DRY LOCATION. ELECTROSTATIC DISCHARGE (ESD) CAN  
HARM THIS PRODUCT. AVOID STATIC DISCHARGE WHILE  
HANDLING THIS PRODUCT.

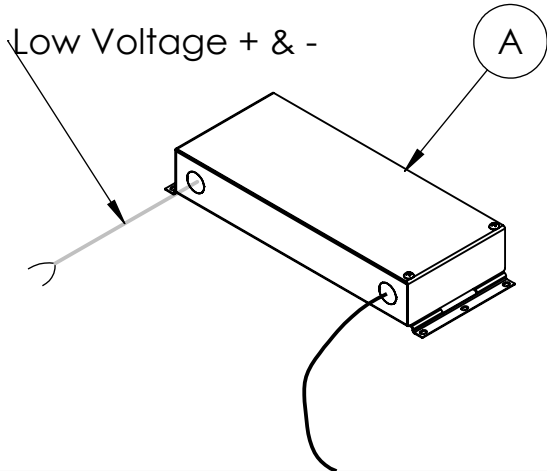
**CAUTION:**

INTER-LUX IS NOT RESPONSIBLE FOR THE  
STRUCTURAL INTEGRITY OF THE BUILDING TO  
SUPPORT THE LUMINAIRE. ADDITIONAL BACKING  
MAY BE REQUIRED.

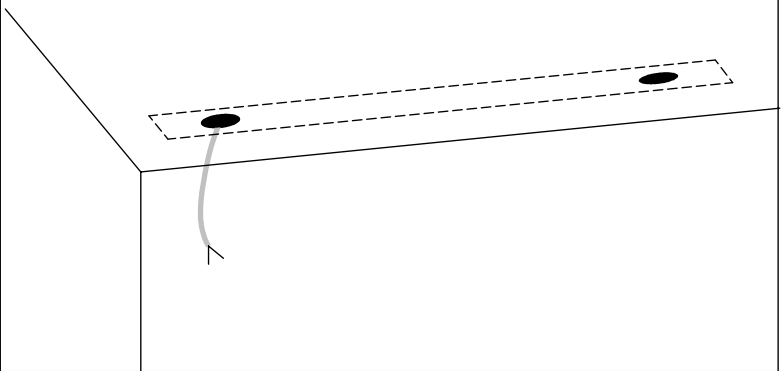
**INSTALLATION INSTRUCTIONS**

LOCATE AND REVIEW ANY CONSTRUCTION PLANS AND INTER-LUX RECORD DRAWINGS FOR ALL FIXTURE RUNS.  
IT IS RECOMMENDED TO LOCATE AND LAY OUT ALL COMPONENTS FOR EACH FIXTURE "RUN". A FIXTURE RUN TYPICALLY CONSISTS OF JOINERS, LENGTHS OF HOUSING, AND ENDCAPS.  
BE SURE TO IDENTIFY ALL CORRECT LENGTHS FOR EACH FIXTURE RUN.

**Step 1; Remote Drivers: Turn off Power Before Installation.** Install Remote Drivers (A) and make connections to AC power and Low Voltage cables. Then run Low Voltage cables to future position of Luminaire (B).



**Step 2; Prepare ceiling:** Mark the future position of the fixture on the ceiling. Then, drill holes in ceiling which correspond to suspension method of Luminaire (B). If it is plaster or tile ceiling, cut 1-1/4" holes with hole saw. If it is concrete or wood ceiling, holes should be adequately sized for the suspension cables. Pull low voltage cable of remote driver out through one of the holes.



PLEASE SEE NEXT PAGE

**WARNING:**  
INSTALL PRODUCT IN ACCORDANCE  
WITH LOCAL AND NATIONAL ELECTRICAL  
CODES BY A QUALIFIED ELECTRICIAN.

**WARNING:**  
FAILURE TO COMPLY WITH THE  
INSTALLATION INSTRUCTIONS MAY  
RESULT IN DEATH OR SERIOUS INJURY.

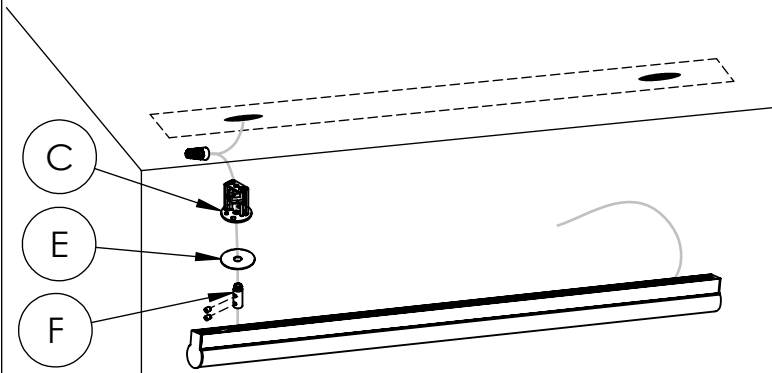
**WARNING:**  
READ ALL SAFETY INSTRUCTIONS  
INCLUDED WITH LUMINAIRE BEFORE  
INSTALLING LUMINAIRE. SAVE  
INSTRUCTIONS FOR FUTURE USE.

**CAUTION:**  
THIS IS AN ELECTRONIC DEVICE. CARE MUST BE TAKEN  
DURING STORAGE AND HANDLING. STORE IN A CLEAN, COOL  
AND DRY LOCATION. ELECTROSTATIC DISCHARGE (ESD) CAN  
HARM THIS PRODUCT. AVOID STATIC DISCHARGE WHILE  
HANDLING THIS PRODUCT.

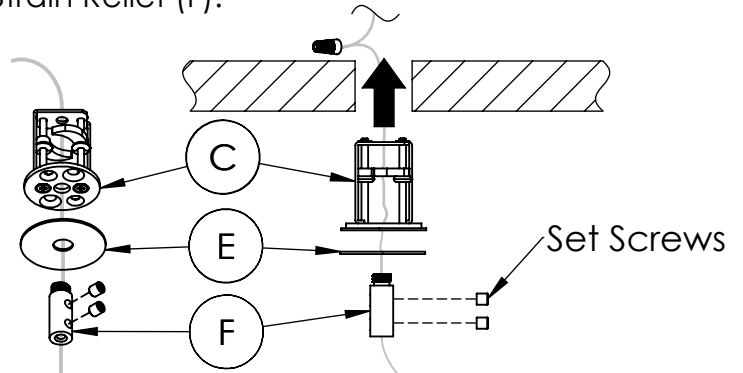
**CAUTION:**  
INTER-LUX IS NOT RESPONSIBLE FOR THE  
STRUCTURAL INTEGRITY OF THE BUILDING TO  
SUPPORT THE LUMINAIRE. ADDITIONAL BACKING  
MAY BE REQUIRED.

**Step 3; Installation of Plaster/Tile Canopy Hardware:** To install the luminaire on plaster or tile ceilings, use appropriate canopy hardware, and follow steps below. To install the luminaire on concrete or wood ceilings, skip to step 4.

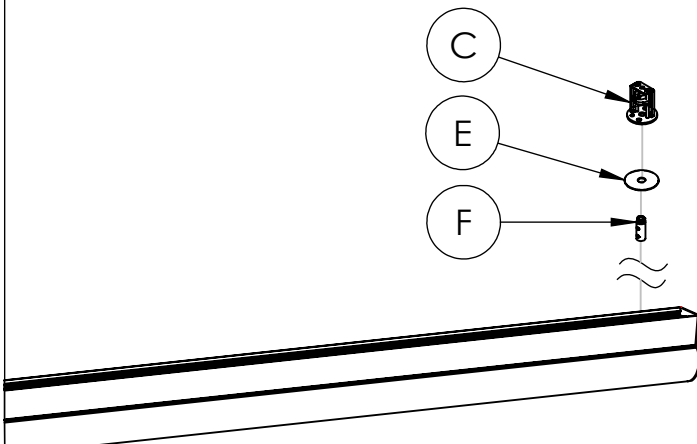
**3A; Assembly of Powered Cable:** Insert power cable of the Luminaire (B) through Strain Relief (F), Cover Plate (E), and Plaster/Tile Canopy (C), as shown below. If necessary loosen the set screws on Strain Relief (F). Then, make electrical connection between low voltage cable of Remote Driver (A) and power cable of Luminaire(B).



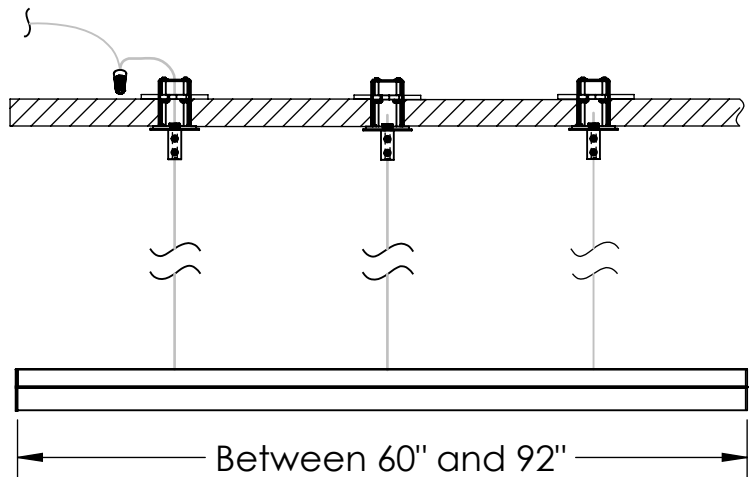
**3B; Installation into Ceiling:** Insert Plaster/Tile Canopy (C) with cable into ceiling hole, and tighten the captive screws under Canopy (C). This will lower and lock the claws onto the ceiling. Slide Cover Plate (E) and Strain Relief (F) up and screw it into Canopy (C). Adjust the cable length to the desired fixture height and secure by tightening the plastic set screw in the Strain Relief (F).



**3C; Assembly of non-Powered Cable:** Follow the same steps above for non-powered suspension cable at the other end of Luminaire (B) except for electrical connection. Level the Luminaire and tighten the plastic set screws on Cable Holder (F).



**3D; Additional Suspension and Power Test:** For fixtures longer than 60", install the center suspension the same way described in step 3C. Finally, power and test the Luminaire (B) for proper operation.



**WARNING:**  
INSTALL PRODUCT IN ACCORDANCE  
WITH LOCAL AND NATIONAL ELECTRICAL  
CODES BY A QUALIFIED ELECTRICIAN.

**WARNING:**  
FAILURE TO COMPLY WITH THE  
INSTALLATION INSTRUCTIONS MAY  
RESULT IN DEATH OR SERIOUS INJURY.

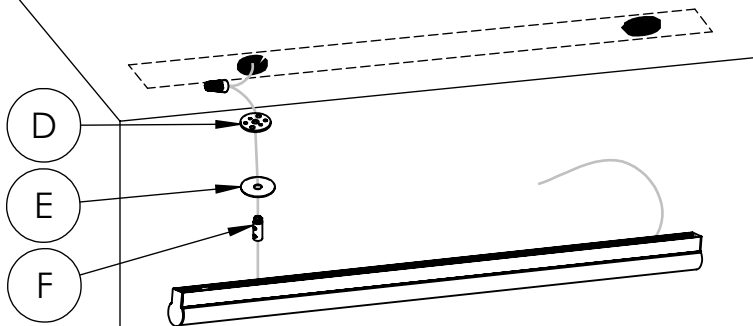
**WARNING:**  
READ ALL SAFETY INSTRUCTIONS  
INCLUDED WITH LUMINAIRE BEFORE  
INSTALLING LUMINAIRE. SAVE  
INSTRUCTIONS FOR FUTURE USE.

**CAUTION:**  
THIS IS AN ELECTRONIC DEVICE. CARE MUST BE TAKEN  
DURING STORAGE AND HANDLING. STORE IN A CLEAN, COOL  
AND DRY LOCATION. ELECTROSTATIC DISCHARGE (ESD) CAN  
HARM THIS PRODUCT. AVOID STATIC DISCHARGE WHILE  
HANDLING THIS PRODUCT.

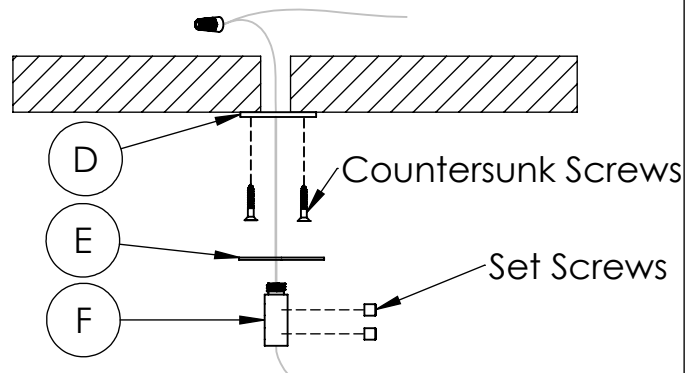
**CAUTION:**  
INTER-LUX IS NOT RESPONSIBLE FOR THE  
STRUCTURAL INTEGRITY OF THE BUILDING TO  
SUPPORT THE LUMINAIRE. ADDITIONAL BACKING  
MAY BE REQUIRED.

**Step 4; Installation of Concrete/Wood Canopy Hardware:** To install the luminaire on concrete or wood ceilings Countersunk Screws Countersunk Screws Countersunk Screws Countersunk Screws Countersunk Screws , use appropriate canopy hardware, and follow steps

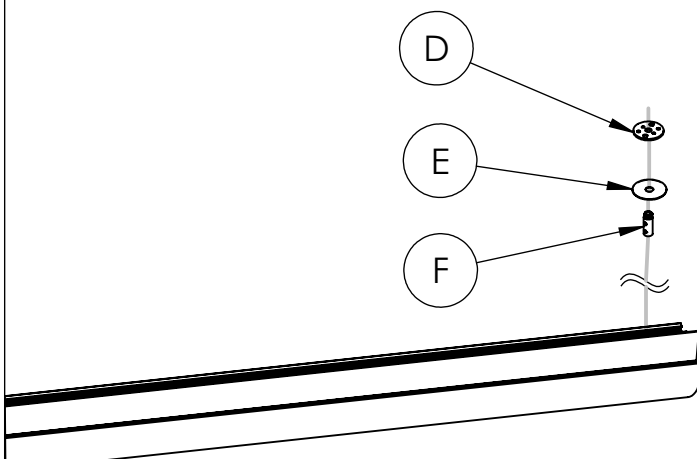
**4A; Assembly of Powered Cable:** Insert power cable of the Luminaire (B) through Strain Relief (F), Cover Plate (E), and Concrete/Wood Canopy (D), as shown below. If necessary loosen the set screws on Strain Relief (F). Then, make electrical connection between low voltage cable of Remote Driver (A) and power cable of Luminaire(B).



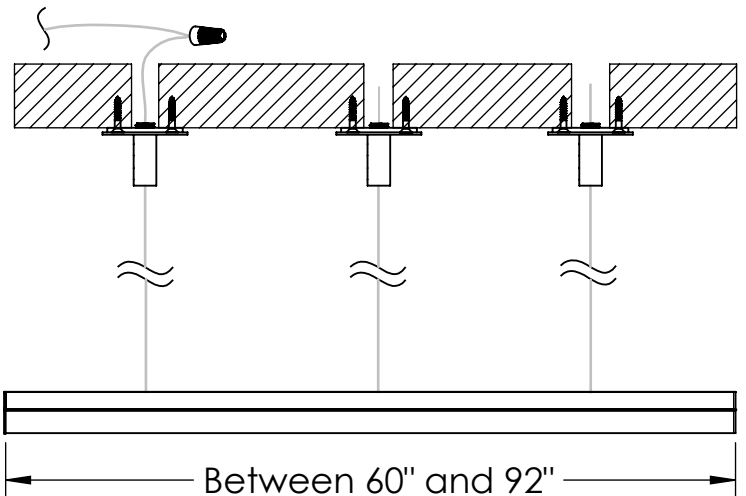
**4B; Installation into Ceiling:** Place Concrete/Wood Canopy (D) onto ceiling hole, and screw into ceiling as shown below. Slide the Cover Plate (E) and Strain Relief (F) up and screw it into Canopy (D). Adjust the cable length to the desired fixture height and secure by tightening the plastic set screw in the Strain Relief (F).



**4C; Assembly of non-Powered Cable:** Follow the same steps above for non-powered suspension cable at the other end of the Luminaire (B) except for electrical connection. Level the Luminaire and tighten the plastic set screws on Cable Holder (F).



**4D; Additional Suspension and Power Test:** For runs longer than 60", install the center suspension the same way described in step 3C. Finally, power and test the Luminaire (B) for proper operation.



**WARNING:**  
INSTALL PRODUCT IN ACCORDANCE  
WITH LOCAL AND NATIONAL ELECTRICAL  
CODES BY A QUALIFIED ELECTRICIAN.

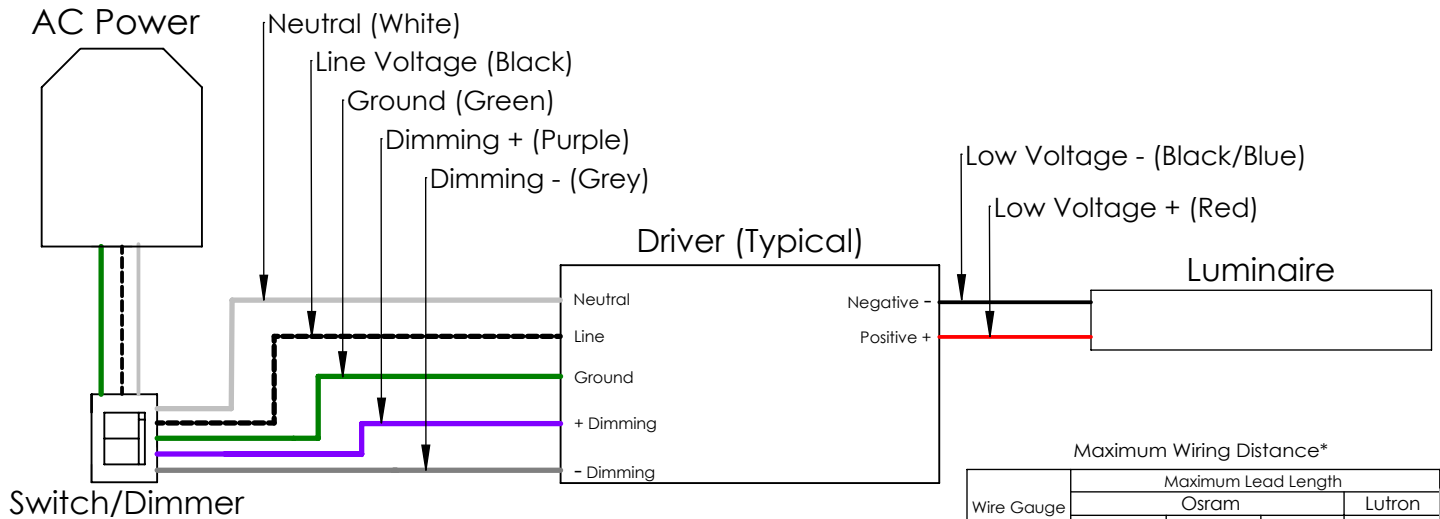
**WARNING:**  
FAILURE TO COMPLY WITH THE  
INSTALLATION INSTRUCTIONS MAY  
RESULT IN DEATH OR SERIOUS INJURY.

**WARNING:**  
READ ALL SAFETY INSTRUCTIONS  
INCLUDED WITH LUMINAIRE BEFORE  
INSTALLING LUMINAIRE. SAVE  
INSTRUCTIONS FOR FUTURE USE.

**CAUTION:**  
THIS IS AN ELECTRONIC DEVICE. CARE MUST BE TAKEN  
DURING STORAGE AND HANDLING. STORE IN A CLEAN, COOL  
AND DRY LOCATION. ELECTROSTATIC DISCHARGE (ESD) CAN  
HARM THIS PRODUCT. AVOID STATIC DISCHARGE WHILE  
HANDLING THIS PRODUCT.

**CAUTION:**  
INTER-LUX IS NOT RESPONSIBLE FOR THE  
STRUCTURAL INTEGRITY OF THE BUILDING TO  
SUPPORT THE LUMINAIRE. ADDITIONAL BACKING  
MAY BE REQUIRED.

### Wiring Key



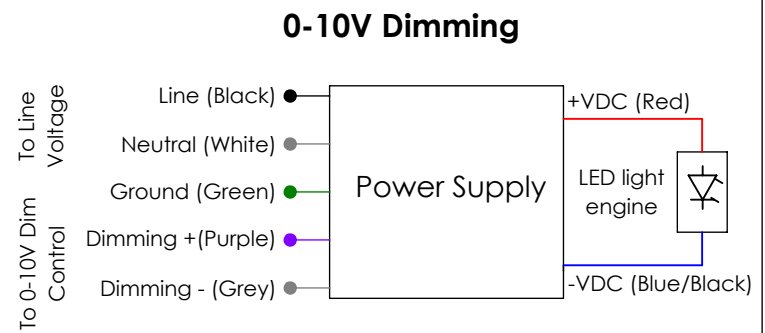
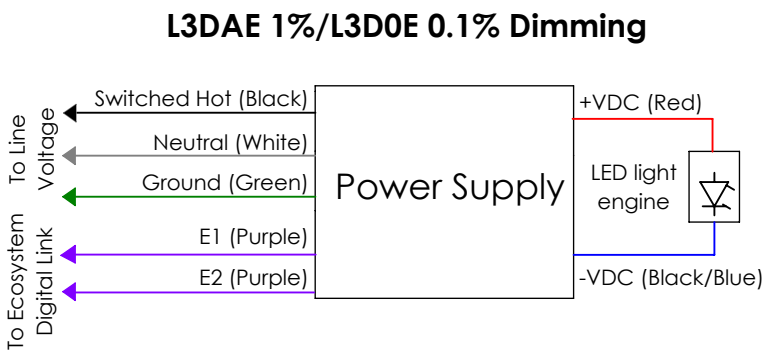
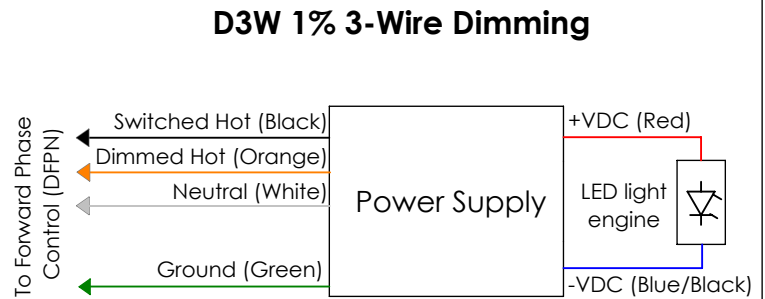
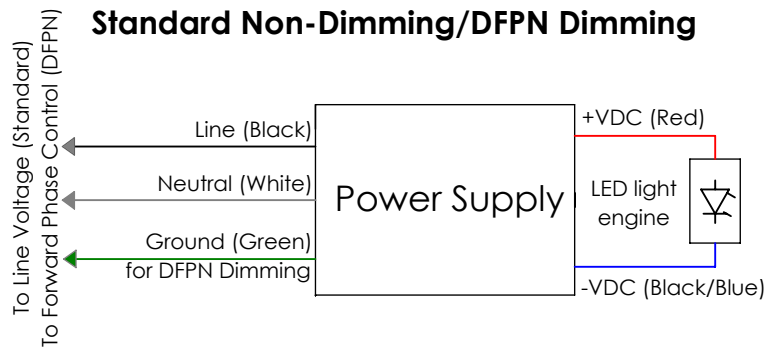
Red	Blue/Black	Green	Black	White	Purple	Grey
Positive	Negative	Ground	Line	Neutral	Dimming +	Dimming -

Maximum Wiring Distance\*

Wire Gauge	Maximum Lead Length			
	≤ 48W	≤ 72W	≤ 96W	≤ 40W
#18AWG	37'	25'	18'	15'
#16AWG	59'	39'	29'	25'
#14AWG	95'	63'	47'	40'
#12AWG	151'	101'	75'	60'

\*Actual Voltage drop to be calculated by installer

### Driver Wiring Diagrams



**NOTE: ALL SHOWN DRIVERS ARE INTER-LUX PROVIDED. FOR NON INTER-LUX PROVIDED DRIVERS PLEASE REFER TO DRIVER MANUFACTURERS. THE USE OF NON INTER-LUX PROVIDED DRIVERS VOIDS PRODUCT WARRANTY.**