

Grid Mounting Guide WG-20LDL-RGT9/RGT15 In Line Configuration

Folded tab hooks onto the top of the grid T-bar bulb.

Center hole can be used as hanger wire point.

Optional use screw ports which align with grid T-grid bulb

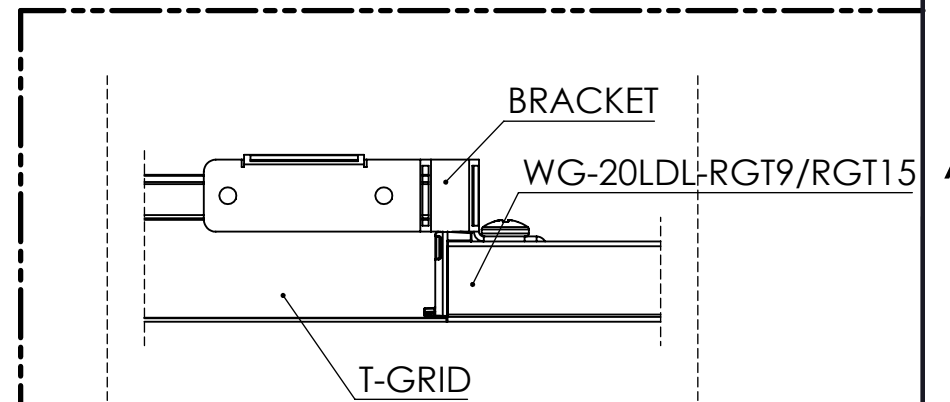
Second bend

First Bend

Part as supplied

As viewed from below

As viewed from above



inter•lux

3741 Commerce Drive
Suites 306 - 308
Baltimore, MD 21227

Tel. 410.381.1497
quotes@inter-lux.com
orders@inter-lux.com

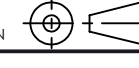
DO NOT SCALE DRAWING

PROPRIETARY AND CONFIDENTIAL

THE INFORMATION CONTAINED IN THIS DRAWING IS THE SOLE PROPERTY OF Inter-lux. ANY REPRODUCTION IN PART OR AS A WHOLE WITHOUT THE WRITTEN PERMISSION OF Inter-lux IS PROHIBITED.

DIMENSIONS ARE IN INCHES
TOLERANCES:
FRACTIONAL
ANGULAR: MACH ± 0.5 BEND ± 1.0
ONE PLACE DECIMAL ± 0.05
TWO PLACE DECIMAL ± 0.01
THREE PLACE DECIMAL ± 0.005

3RD ANGLE PROJECTION



MATERIAL

FINISH

SEE NOTE

TITLE:

SIZE	PART. NO.	REV
B		.1

SCALE: 1:5 WEIGHT: "SW-Mgs@StarPortNew.SLDPRT" LBS SHEET 5 OF 8

Grid Mounting Guide WG-20LDL-RGT9/RGT15 Offset Configuration

Folded tab hooks onto the top of the grid T-bar bulb.

Center hole can be used as hanger wire point.

Optional use screw ports which align with grid T-grid bulb

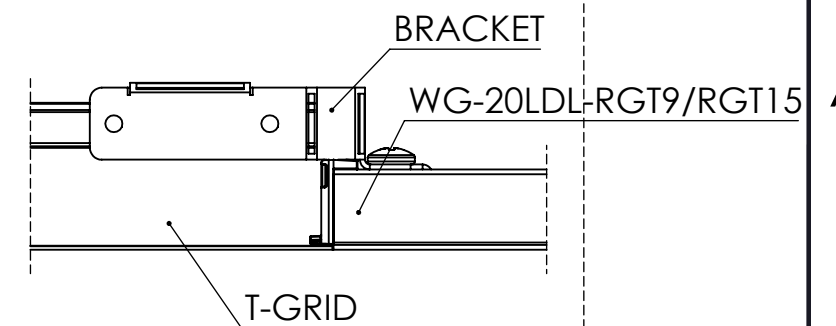
Second bend

First Bend

As viewed from below

Part as supplied

As viewed from above



inter•lux

3741 Commerce Drive
Suites 306 - 308
Baltimore, MD 21227

Tel. 410.381.1497
quotes@inter-lux.com
orders@inter-lux.com

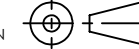
DO NOT SCALE DRAWING

PROPRIETARY AND CONFIDENTIAL

THE INFORMATION CONTAINED IN THIS DRAWING IS THE SOLE PROPERTY OF Inter-lux. ANY REPRODUCTION IN PART OR AS A WHOLE WITHOUT THE WRITTEN PERMISSION OF Inter-lux IS PROHIBITED.

DIMENSIONS ARE IN INCHES
TOLERANCES:
FRACTIONAL
ANGULAR: MACH ± 0.5 BEND ± 1.0
ONE PLACE DECIMAL ± 0.05
TWO PLACE DECIMAL ± 0.01
THREE PLACE DECIMAL ± 0.005

3RD ANGLE PROJECTION



MATERIAL

FINISH

SEE NOTE

TITLE:

SIZE PART. NO. REV

B

SCALE: 1:5

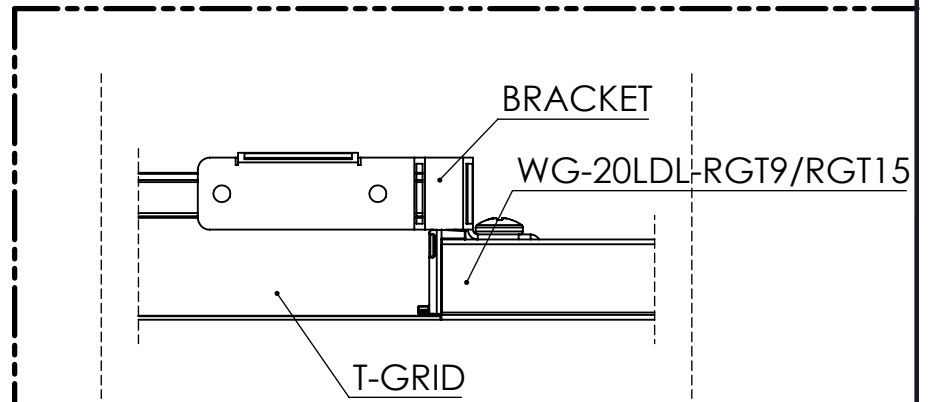
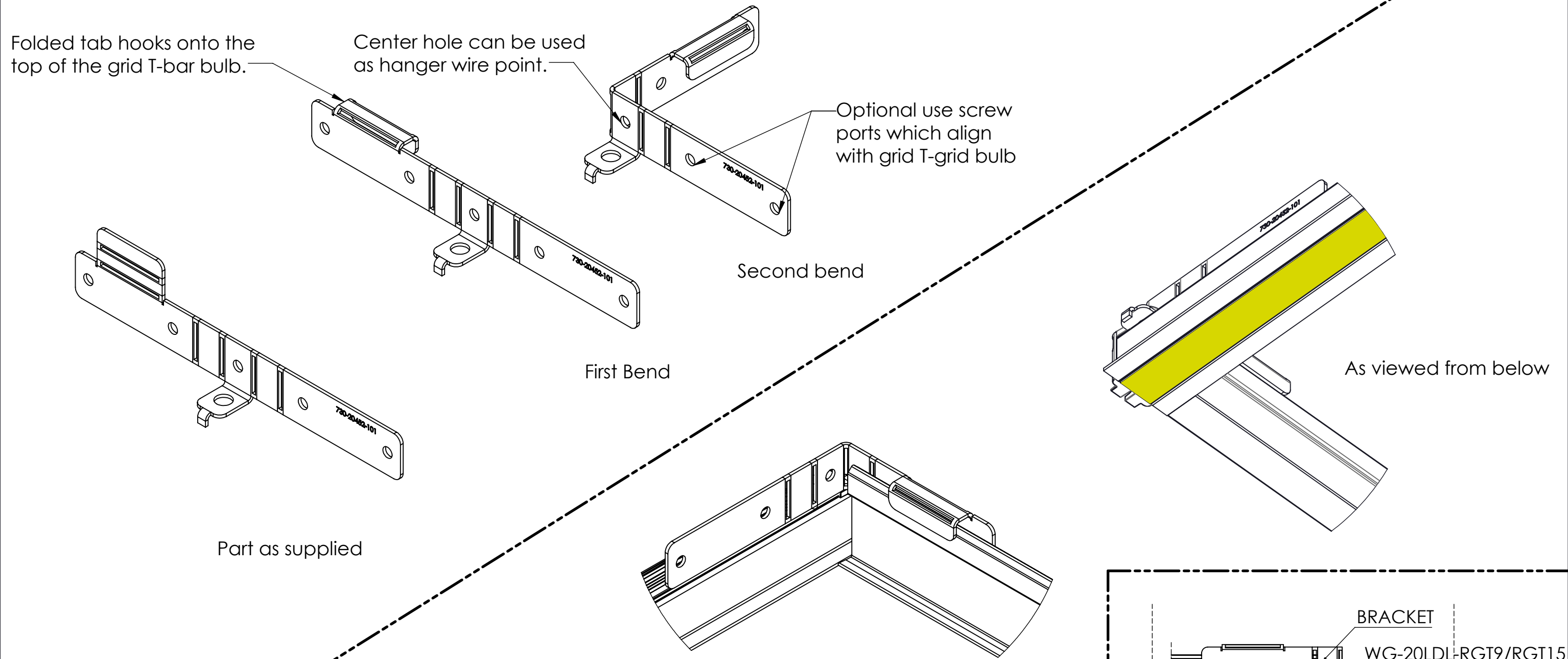
WEIGHT: "SW-Mgs@StarPortNew.SLDPR"

SHEET 6 OF 8

REV

.1

Grid Mounting Guide WG-20LDL-RGT9/RGT15 Right-Hand Bend Configuration



<p>inter•lux</p> <p>3741 Commerce Drive Suites 306 - 308 Baltimore, MD 21227</p> <p>Tel. 410.381.1497 quotes@inter-lux.com orders@inter-lux.com</p>	DO NOT SCALE DRAWING	DIMENSIONS ARE IN INCHES TOLERANCES: FRACTIONAL ANGULAR: MACH ± 0.5 BEND ± 1.0 ONE PLACE DECIMAL ± 0.05 TWO PLACE DECIMAL ± 0.01 THREE PLACE DECIMAL ± 0.005	3RD ANGLE PROJECTION 	TITLE:	SIZE B	PART. NO.	REV .1
	PROPRIETARY AND CONFIDENTIAL THE INFORMATION CONTAINED IN THIS DRAWING IS THE SOLE PROPERTY OF inter-lux. ANY REPRODUCTION IN PART OR AS A WHOLE WITHOUT THE WRITTEN PERMISSION OF inter-lux IS PROHIBITED.	FINISH SEE NOTE	SCALE: 1:5	WEIGHT: "SW-Mgs@StarPortNew.SLDPRT"	SHEET 7 OF 8		

4

3

2

1

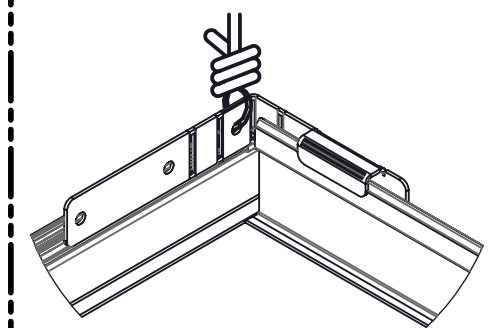
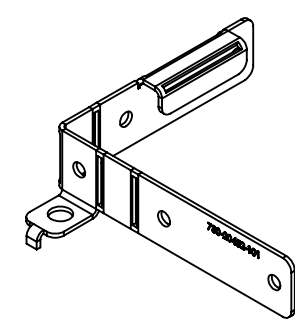
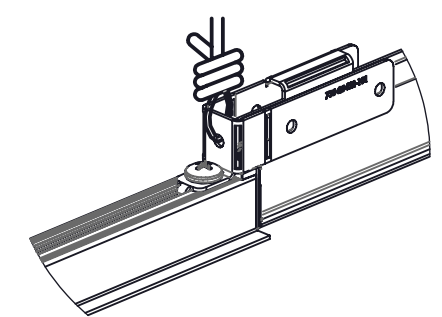
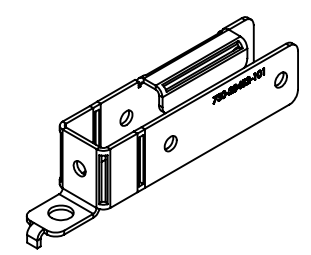
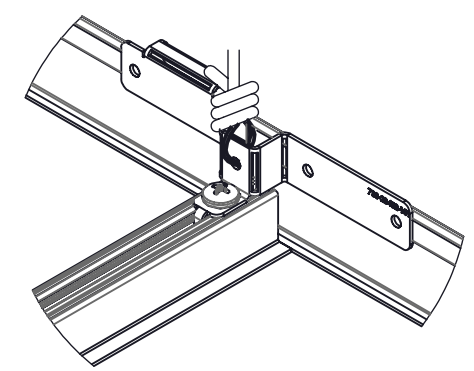
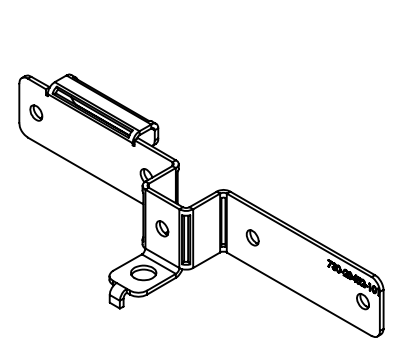
Grid Mounting Guide WG-20LDL-RGT9/RGT15
Offset Configuration

Grid Mounting Guide WG-20LDL-RGT9/RGT15
In Line Configuration

Grid Mounting Guide WG-20LDL-RGT9/RGT15
Right Hand Bend Configuration

B

B



BRACKET

T-GRID

WG-20LDL-RGT9/RGT15

BRACKET

T-GRID

WG-20LDL-RGT9/RGT15

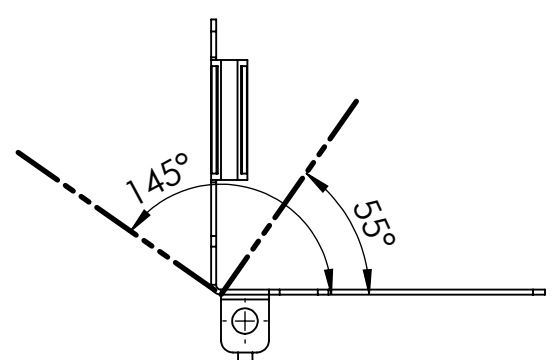
BRACKET

T-GRID

WG-20LDL-RGT9/RGT15

A

A

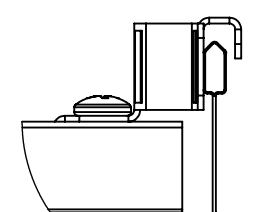
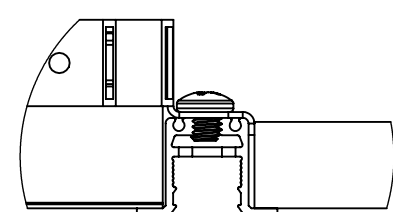


Slim yet powerful recessed continuous luminaire with Bezel Trim suitable for mounting within all ceiling materials including grid system ceilings, offering even light and spot-free lens.

In Grid mounting applications, the WG-20LDL can replace sections of T-grid, or span between them. A unique design configurable bracket allows multiple integration options.

Grid on Bezel

Bezel Flush to Grid



INTER-LUX SUPPLIES CUSTOM WG-20LDL-RGT9/RGT15 FIXTURES AT THE ABOVE ANGLE RANGE.

THESE FIXTURES MAY NOT INCLUDE ENDCAPS

BRACKETS MAY BE BENT OR BROKEN IN METHODS NOT PICTURED TO ACCOMODATE SPACE LIMITS.

inter•lux
 3741 Commerce Drive
 Suites 306 - 308
 Baltimore, MD 21227
 Tel. 410.381.1497
 quotes@inter-lux.com
 orders@inter-lux.com

DO NOT SCALE DRAWING
 PROPRIETARY AND CONFIDENTIAL
 THE INFORMATION CONTAINED IN THIS DRAWING IS THE SOLE PROPERTY OF inter-lux. ANY REPRODUCTION IN PART OR AS A WHOLE WITHOUT THE WRITTEN PERMISSION OF inter-lux IS PROHIBITED.

DIMENSIONS ARE IN INCHES
 TOLERANCES:
 FRACTIONAL
 ANGULAR: MACH ± 0.5 BEND ± 1.0
 ONE PLACE DECIMAL ± 0.05
 TWO PLACE DECIMAL ± 0.01
 THREE PLACE DECIMAL ± 0.005

3RD ANGLE PROJECTION
 MATERIAL
 FINISH
 SEE NOTE

TITLE:

SIZE B	PART. NO.	REV .1
SCALE: 1:1	WEIGHT: "SW-Mgs@StarBotNew.SLDPR"	SHEET 8 OF 8

4

3

2

1