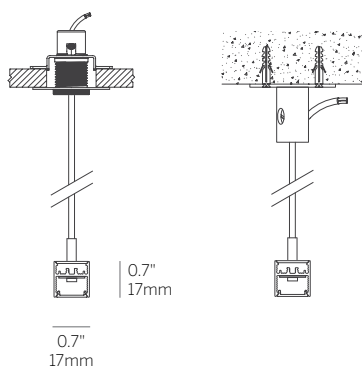


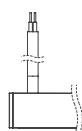
# 20 Linear Suspended



Ordering Information									
Model	Fixation	Pattern	Length	Power <sup>1</sup>	CRI/ CCT <sup>2</sup>	Driver <sup>3</sup>	Lens	Finish <sup>6</sup>	Options
WG-20LDL	S48 (std) S96	S	A	L M H	927 930 935 940 WD RGBW	X S D010 L3DAE L3DOE EL96 DMX	OD (std) MPL NL16 LL45B LL45W <sup>4</sup> LL45S <sup>4</sup> BDO <sup>5</sup> BDC <sup>5</sup> ROD <sup>5</sup>	W (std) B S F	EM



Gypsum / Tile Ceiling    Solid Ceiling



0.6"  
14.3mm

Power Feed

### Lenses/Accessories



Opal Diffuser (OD)  
Satin Diffuser (SD)  
Micro-prismatic Lens (MPL)



Narrow Lens (NL16)



Louver (LL45)



Block Diffuser (BD)



Round Opal Diffuser (ROD)

### Luminaire

- Suspended fixture with minimal housing for continuous mounting to any desired length (1/4" increments).
- Multiple lenses and louvers for general, accent, decorative and grazing applications.
- Remote driver options (required). Field replaceable LED boards.
- 90+ CRI, 3 steps MacAdam.
- L70 (TM21 Projected 85C) Static White 60,000 hours, RGBW 50,000 hours, WD 36,000 hours.
- ETL and ETL-C for dry and damp location.

### Fixation

- S48 = 48" suspension cable standard, field-cuttable (standard)
- S96 = 96" suspension cable, field-cuttable (above 60" additional suspension added)

### Pattern

- S = Straight run (individual fixtures only, for other configurations see WG-20LDL)

### Length

- A = specify inches to the nearest 0.25" (i.e. 71.75") (72" max length)

### Power<sup>1</sup>

- L = 3W/ft low power (WD 2.7 W/ft) (24V)
- M = 6W/ft mid power (WD 5.5 W/ft) (24V) (RGBW - 7.6 W/ft)
- H = 10W/ft high power (WD 8 W/ft) (24V)

### CRI/CCT (90+ CRI)<sup>2</sup>

- 927 = 2700K
- 930 = 3000K
- 935 = 3500K
- 940 = 4000K
- WD = Warm Dimming 1800 - 3000K
- RGBW = 3000K White (M power only)

### Driver (remote)<sup>3</sup>

- X = No driver, ordered separately
- S = Standard, non-dim driver 120-277V
- D010 = Osram, 10%, 0-10V dimming, 120-277V
- L3DAE = Lutron Hi-lume 1% EcoSystem, 120-277V
- L3DOE = Lutron Hi-lume Premier 0.1% EcoSystem, 120-277V
- EL96 = Osram / EldoLED, 24V, 0.1% 0-10V Dimming
- DMX = Osram / EldoLED, 24V, 0.1% DMX Dimming

### Lens

- OD = Satin opal diffuser (standard)
- MPL = Micro-prismatic lens
- NL16 = Linear narrow lens, 16°
- LL45B = Linear louver black<sup>4</sup>
- LL45W = Linear louver white<sup>4</sup>
- LL45S = Linear louver satin<sup>4</sup>
- BDO = Block diffuser opal<sup>5</sup>
- BDC = Block diffuser clear<sup>5</sup>
- ROD = Round opal diffuser<sup>5</sup>

### Finish<sup>5</sup>

- W = White, 15% gloss, RAL 9010 / Tiger Drylac 009/10120 (standard)
- B = Black, 15% gloss, RAL 9005 / Tiger Drylac 044/90053
- S = Silver, 15% gloss, RAL 9006 / Tiger Drylac 049/90500
- F = Custom finished trim, specify RAL

### Options

- EM = Emergency LED driver (remote only)

- 1 Wattage shown is for LED boards only, system wattage varies depending on driver selected.
- 2 See photometric data sheet for delivered lumens.
- 3 Remote power supply required. See power supply page for details.
- 4 Louver available in 4.75" increments.
- 5 Butt seam (lens) when in continuous run, straight runs only.
- 6 See Tiger Drylac color chart: [inter-lux.com/tiger](http://inter-lux.com/tiger)