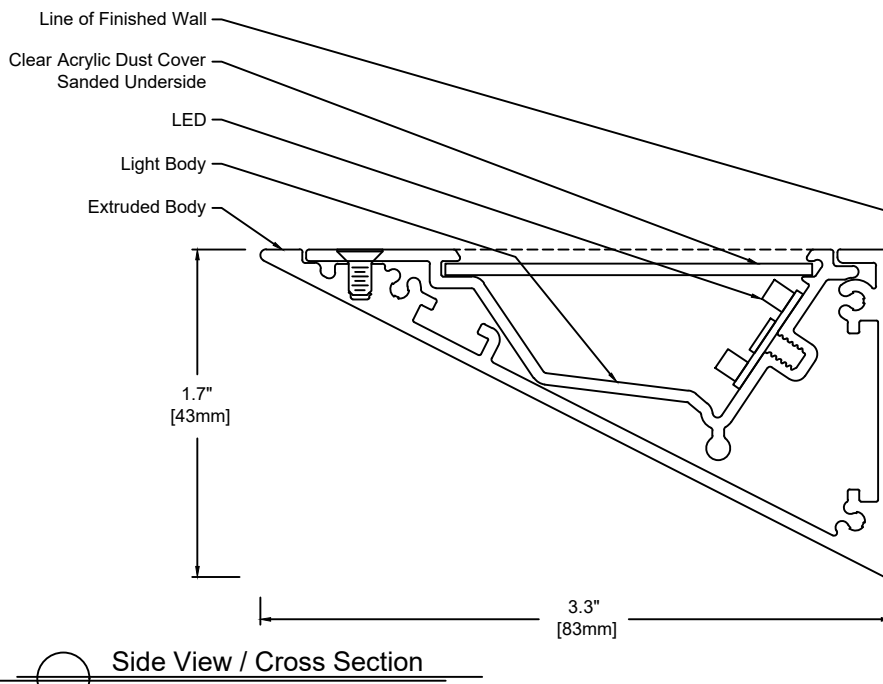
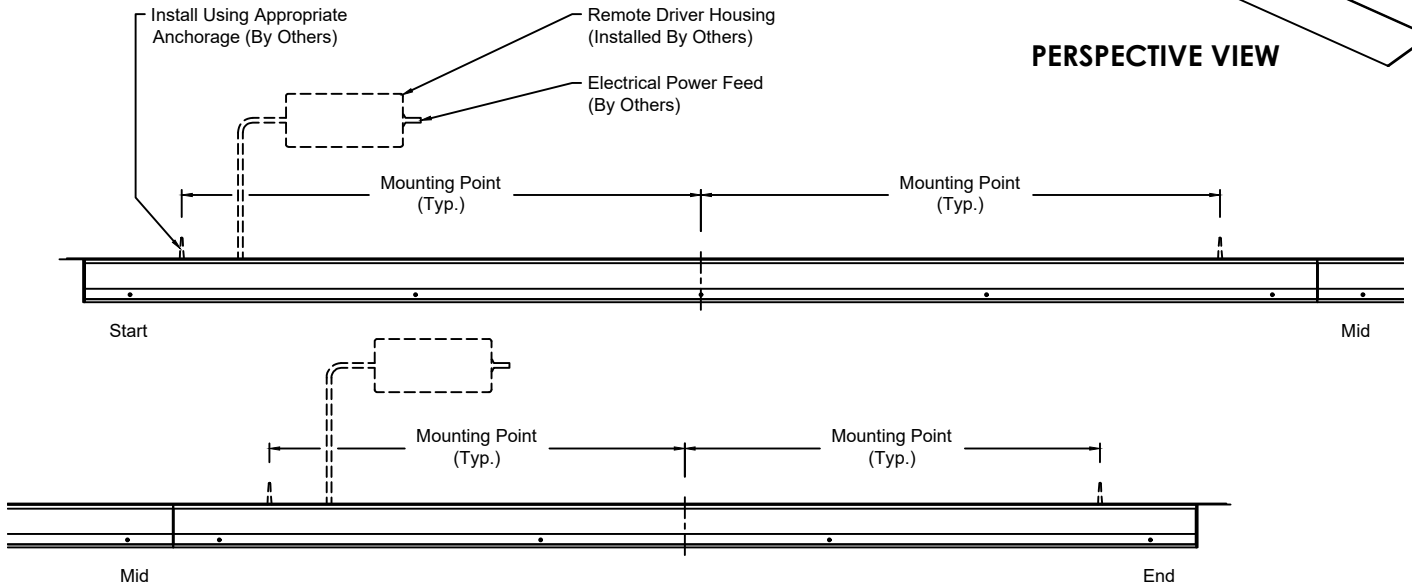
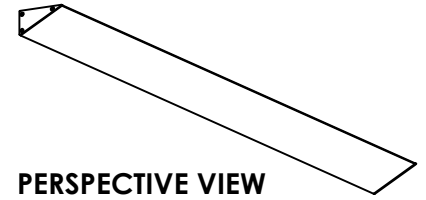


Wedge

TECHNICAL SHEET



Side View / Cross Section
Scale: N.T.S.

Drawing 1 of 2

Fixture Weight : 1.5 lbs/ft

2537	W	XX	M	830	U	S	SA	19
Model	Type	Size	Wattage	Color Temp	Voltage	Control	Diffuser	Finish
W - Wall	Please Specify Length	L M H	827 - 2,700K 830 - 3,000K 835 - 3,500K 840 - 4,000K	1 - 120 VAC only U - 120/277 V	S D010 DFPN L3DAE L3D0E	SA - Satin Clear Acrylic	19 - Painted Anodized Aluminum - RAL 9006 Matte 21 - Painted White - RAL 9010 Matte 26 - Painted Black - RAL 9005 Matte 22 - Painted Custom Color	

Wattage and Control

Control (Remote 24V):
S - Non-Dim
D010 - 0-10V 10%
DFPN - Lutron Forward Phase 1%, 120VAC
L3DAE - Lutron Hi-Lume 1% EcoSystem
L3D0E - Lutron Hi-Lume Premier 0.1% EcoSystem

Wattage "L" - 3 Watt/foot
2,700K - 400 lm/foot
3,000K - 400 lm/foot
3,500K - 416 lm/foot
4,000K - 242 lm/foot

Wattage "M" - 6 Watt/foot
2,700K - 743 lm/foot
3,000K - 743 lm/foot
3,500K - 774 lm/foot
4,000K - 789 lm/foot

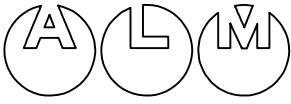
Wattage "H" - 10 Watt/foot
2,700K - 1,174 lm/foot
3,000K - 1,174 lm/foot
3,500K - 1,222 lm/foot
4,000K - 1,246 lm/foot

Technical Data:
Form - linear, Operating voltage: 24VDC
Color rendering index Ra min: 82 CRI, Available in 90 CRI
Viewing angle: 110°
Lifetime - L70: 60,000h
Working temperature: -20°C to 60°C (-4°F to 140°F)

Remote Drivers:
Max. wiring distance / Load

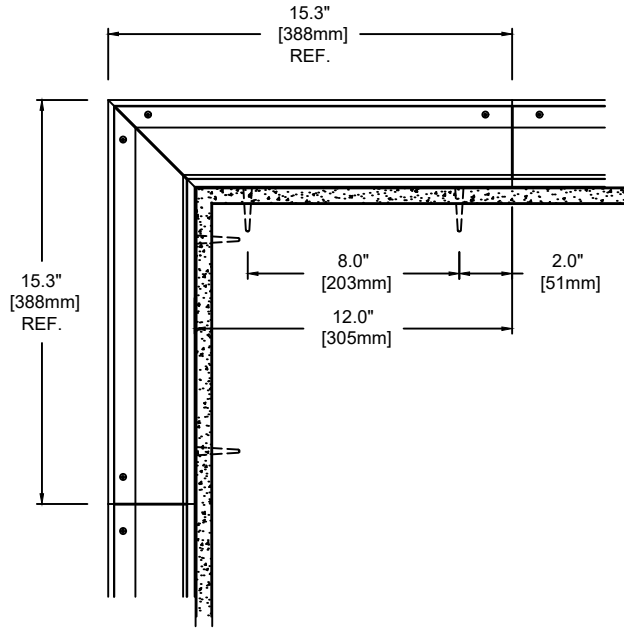
Wire Gauge	Osram			Lutron	
	≤48W	≤72W	≤96W	≤40W	≤96W
#18AWG	37'	25'	18'	15'	25'
#16AWG	59'	39'	29'	25'	40'
#14AWG	95'	63'	47'	40'	60'



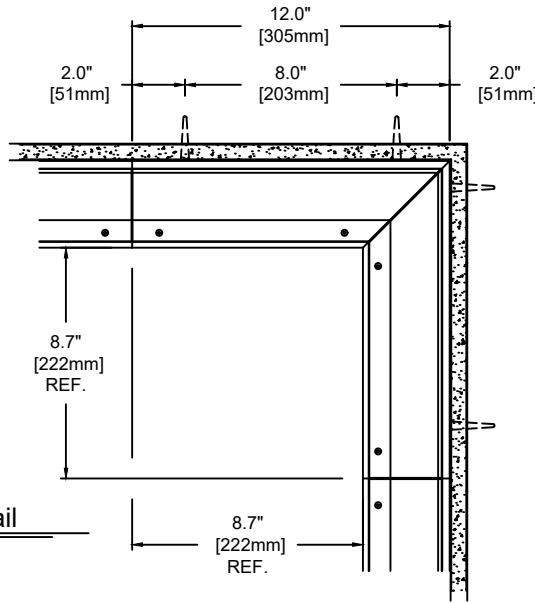


Wedge

TECHNICAL SHEET



Outside Corner Detail
Scale: N.T.S.



Inside Corner Detail
Scale: N.T.S.

Drawing 2 of 2

Fixture Weight : 1.5 lbs/ft

2537	W	XX	M	830	U	S	SA	19
Model	Type	Size	Wattage	Color Temp	Voltage	Control	Diffuser	Finish
W - Wall	Please Specify Length	L M H	827 - 2,700K 830 - 3,000K 835 - 3,500K 840 - 4,000K	1 - 120 VAC only U - 120/277 V	S D010 DFPN L3DAE L3D0E	SA - Satin Clear Acrylic	19 - Painted Anodized Aluminum - RAL 9006 Matte 21 - Painted White - RAL 9010 Matte 26 - Painted Black - RAL 9005 Matte 22 - Painted Custom Color	

Wattage and Control

Control (Remote 24V):
S - Non-Dim
D010 - 0-10V 10%
DFPN - Lutron Forward Phase 1%, 120VAC
L3DAE - Lutron Hi-Lume 1% EcoSystem
L3D0E - Lutron Hi-Lume Premier 0.1% EcoSystem

Wattage "L" - 3 Watt/foot
2,700K - 400 lm/foot
3,000K - 400 lm/foot
3,500K - 416 lm/foot
4,000K - 242 lm/foot

Wattage "M" - 6 Watt/foot
2,700K - 743 lm/foot
3,000K - 743 lm/foot
3,500K - 774 lm/foot
4,000K - 789 lm/foot

Wattage "H" - 10 Watt/foot
2,700K - 1,174 lm/foot
3,000K - 1,174 lm/foot
3,500K - 1,222 lm/foot
4,000K - 1,246 lm/foot

Technical Data:
Form - linear, Operating voltage: 24VDC
Color rendering index Ra min: 82 CRI, Available in 90 CRI
Viewing angle: 110°
Lifetime - L70: 60,000h
Working temperature: -20°C to 60°C (-4°F to 140°F)

Remote Drivers:
Max. wiring distance / Load

Wire Gauge	Osram			Lutron	
	≤48W	≤72W	≤96W	≤40W	≤96W
#18AWG	37'	25'	18'	15'	25'
#16AWG	59'	39'	29'	25'	40'
#14AWG	95'	63'	47'	40'	60'

